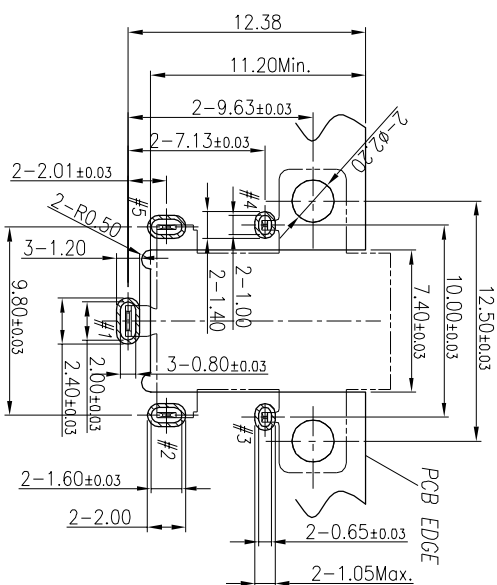
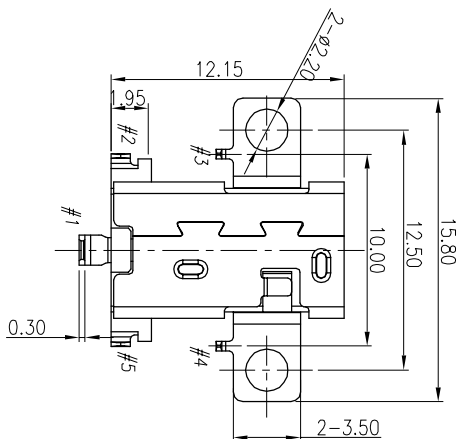


- SCHEMATIC
- #1 PIN (+)
- #2 SPRING(-)
- #3 SHELL
- DD: DAY
MM: MONTH
YY: YEAR
- SPECIFICATIONS:
- ELECTRICAL CHARACTERISTICS:
 - RATING: 25V DC, 5.7A MAX.
 - CONTACT RESISTANCE: 30mΩ MAX.
 - DIELECTRIC WITHSTANDING VOLTAGE: 500V AC FOR ONE MINUTE.
 - INSULATION RESISTANCE: 100MΩ MIN. MEASURED BY 500 VDC.
 - MECHANICAL CHARACTERISTICS:
 - INSERTION FORCE: 2.0 KGF MAX.
 - WITHDRAWAL FORCE: 0.70 KGF MIN.
 - TEMPERATURE RISE CAN'T EXCEED 30°C.
 - LIFE TEST: 10,000 CYCLES MIN.
 - OTHER GENERAL SPEC. TO REFER "20C3189-001111F SPEC".
 - TO CONFORM TO SINGATRON HAZARDOUS SUBSTANCE FREE SPEC.
 - HALOGEN FREE PRODUCT IDENTIFICATION MARK ON JACK: (C)
 - HALOGEN FREE PRODUCT IDENTIFICATION LABEL ON PACKAGING: (S)
 - FOR HAND SOLDERING LEAD-FREE PROCESS.
 - PRINTED DATE CODE "YYMMDD" ON TOP OF CONNECTOR.



RECOMMEND P.C.B LAYOUT(L=1.0mm)
TOP VIEW (TOLERANCES:±0.05)

ITEM	DESCRIPTION	QTY	MATERIAL	PLATING & COLOR
D	SHELL	1	STAINLESS 0.30T	Ni 60u"MIN.
C	SPRING(-)	1	COPPER ALLOY 0.25T	MATTE Sn 100u"MIN,OVER Ni50u"MIN
B	CENTER PIN	1	COPPER ALLOY 0.30T	GOLD FLASH ON CONTACT AREA MATTE Sn 120u" ON SOLDER TAIL ALL OVER Ni 50u" MIN
A	BODY	1	HIGH TEMP. THERMOPLASTIC UL 94V-0	BLACK

UNLESS OTHERWISE SPECIFIED TOLERANCES

Singatron Enterprise Co., Ltd.
信登企業股份有限公司

DECIMALS:	ANGLES:	TITLE	DC POWER JACK
X : ±0.5	X : ±2°	DWM Springw	PART NO. 2DC3189-001111F
X.X : ±0.3	X.X : ±1°	CHKD Sky	SCALE 4:1 UNIT: mm
X.XX : ±0.2		APVD Lussen	SIZE: A3 SHEET: 1 OF 2 REV: A

CUSTOMER COPY

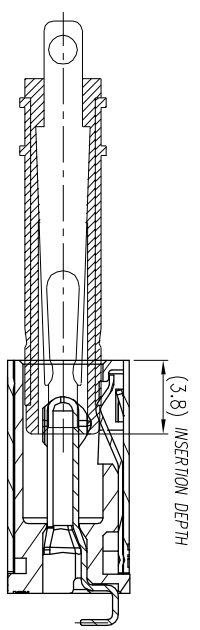
A B C D E F

1 2 3 4 5 6 7 8

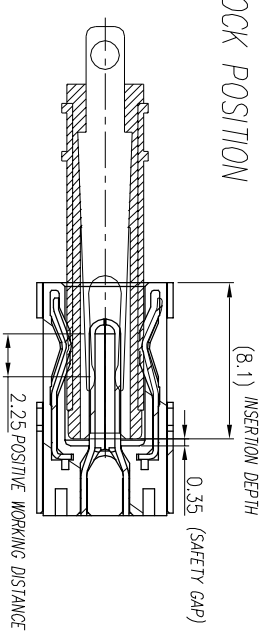
XH# 00-06-043-4

REV.	ECN NO OR DESCRIPTION	REVISED	DATE
A	PDR NO.:S160108-6A	Springwu	2016.11.10

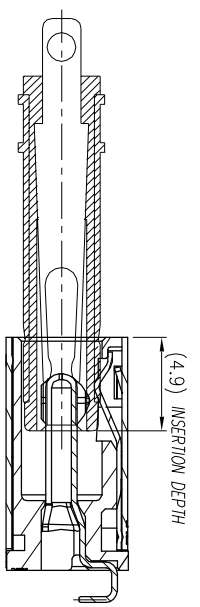
1. NEGATIVE CONTACT FIRST



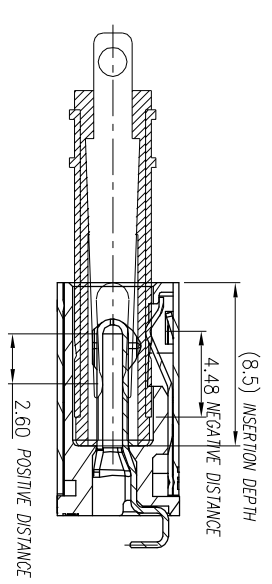
3. LOCK POSITION



2. POSITIVE CONTACT



4. FULL INSERTION



ITEM	DESCRIPTION	QTY	MATERIAL	PLATING & COLOR
	UNLESS OTHERWISE SPECIFIED TOLERANCES		Singatron Enterprise Co., Ltd. 信音企業股份有限公司	

DECIMALS:	ANGLES:	TITLE	DC POWER JACK
X :±0.5	X :±2°	DWN Springwu	PART NO. 2DC3169-001111F
X.X :±0.3	X.X :±1°	CHKD Sky	SCALE 4:1 UNIT: mm
X.XX :±0.2		APVD Lussen	SIZE: A3 SHEET: 2 OF 2 REV: 4

CUSTOMER COPY