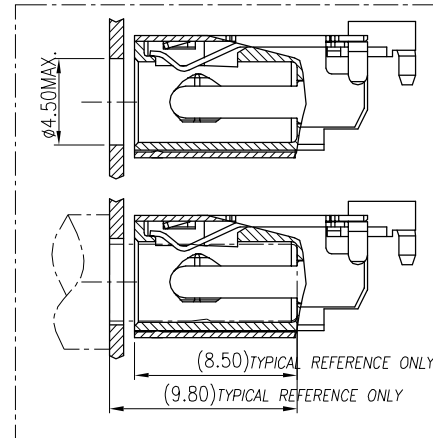
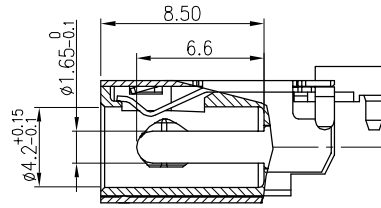
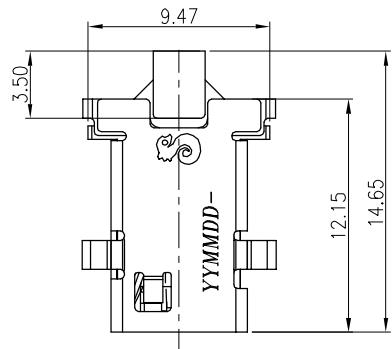


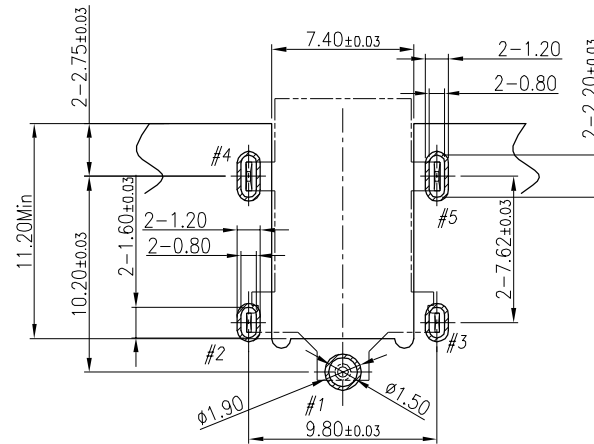
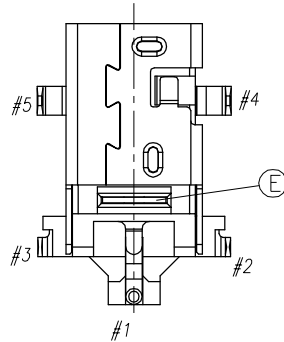
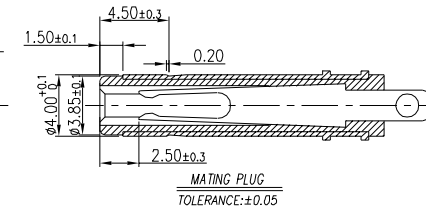
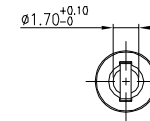
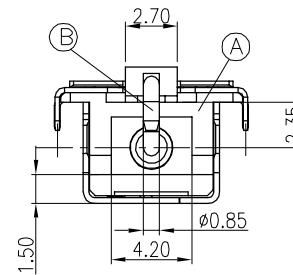
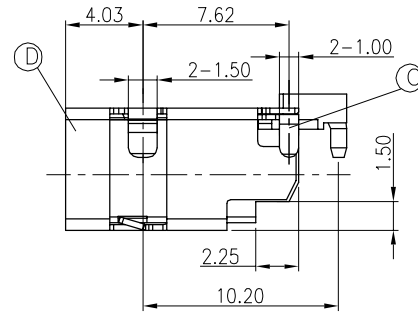
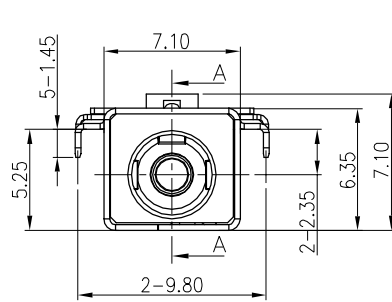
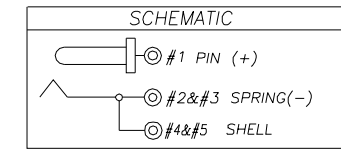
REV.	ECN NO OR DESCRIPTION	REVISED	DATE
A	PDR NO.T190117-1A	Xuehua	2019.12.11



SPECIFICATIONS:

- ELECTRICAL CHARACTERISTICS:
  - RATING: 25V DC; 5.7A MAX.
  - CONTACT RESISTANCE: 30mΩ MAX.
  - DIELECTRIC WITHSTANDING VOLTAGE: 500V AC FOR ONE MINUTE.
  - INSULATION RESISTANCE: 100MΩ MIN. MEASURED BY 500 VDC
- MECHANICAL CHARACTERISTICS:
  - INSERTION FORCE : 2.0 KGF MAX.
  - WITHDRAWAL FORCE : 0.70 KGF MIN.
- TEMPERATURE RISE CAN'T EXCEE 30°C
- LIFE TEST: 10,000 CYCLES MIN.
- OTHER GENERAL SPEC. TO REFER "2DC3169-003111F SPEC".
- TO CONFORM TO SINGATRON HAZARDOUS SUBSTANCE FREE SPEC.
- HALOGEN FREE PRODUCT IDENTIFICATION MARK ON JACK:
- HALOGEN FREE PRODUCT IDENTIFICATION LABEL ON PACKAGING:
- FOR HAND SOLDERING LEAD-FREE PROCESS.
- PRINTED DATE CODE "YYMMDD" ON TOP OF CONNECTOR.

DD: DAY  
MM: MONTH  
YY: YEAR



RECOMMEND P.C.B LAYOUT(T=1.0mm)  
TOP VIEW (TOLERANCES:±0.05)

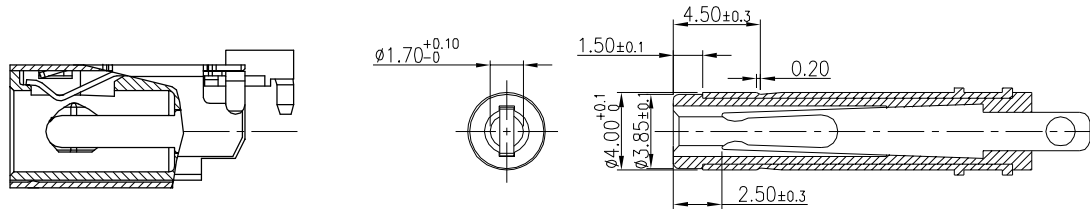
ITEM	DESCRIPTION	QTY	MATERIAL	PLATING & COLOR
E	TERMINAL	1	STAINLESS 0.30T	N/A
D	SHELL	1	STAINLESS 0.30T	Ni 60u"MIN.
C	SPRING(-)	1	COPPER ALLOY 0.25T	MATTE Sn 100u"Min,OVER Ni50u"Min.
B	PIN	1	BRASS	GOLD FALSH OVER Ni 50u"
A	BODY	1	HIGH TEMP. TERMOPLASTIC UL 94V-0	BLACK

UNLESS OTHERWISE SPECIFIED TOLERANCES

Singatron Enterprise Co., Ltd.  
信音企業股份有限公司

TITLE	DC POWER JACK		
DWN	Xuehua	PART NO. 2DC3169-003111F	
CHKD	Sky	SCALE 4:1	UNIT: mm
APVD	Lussen	SIZE: A3	SHEET: 1 OF 2
REV: A			
CUSTOMER COPY			

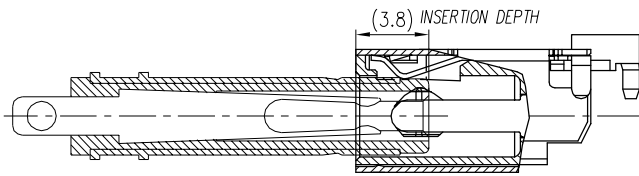
REV.	ECN NO OR DESCRIPTION	REVISED	DATE
A	PDR NO.T190117-1A	Xuehua	2019.12.11



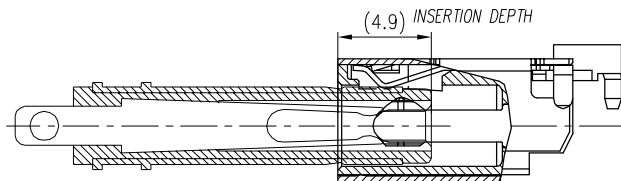
MATING PLUG  
TOLERANCE: ±0.05

P/N. 2DC3169-003111F

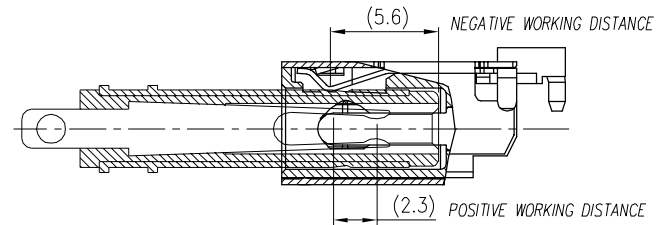
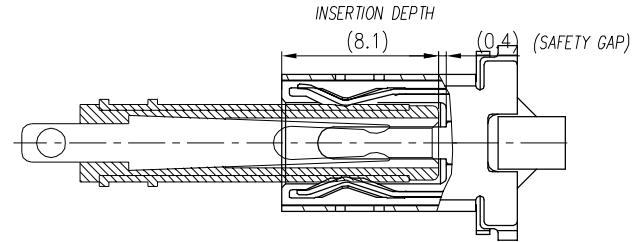
1. NEGATIVE CONTACT FIRST



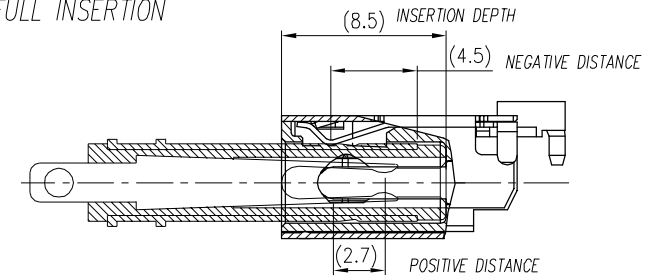
2. POSITIVE CONTACT



3. LOCK POSITION



4. FULL INSERTION



ITEM	DESCRIPTION	QTY	MATERIAL	PLATING & COLOR
UNLESS OTHERWISE SPECIFIED TOLERANCES		Singatron Enterprise Co., Ltd. 信音企業股份有限公司		
DECIMALS:	ANGLES:	TITLE	DC POWER JACK	
X : ±0.5	X : ±2°	DWN Xuehua	PART NO. 2DC3169-003111F	
X.X : ±0.3	X.X : ±1°	CHKD Sky	SCALE 4:1	UNIT: mm
X.XX : ±0.2		APVD Lussen	SIZE: A3	SHEET: 2 OF 2 REV: A

CUSTOMER COPY