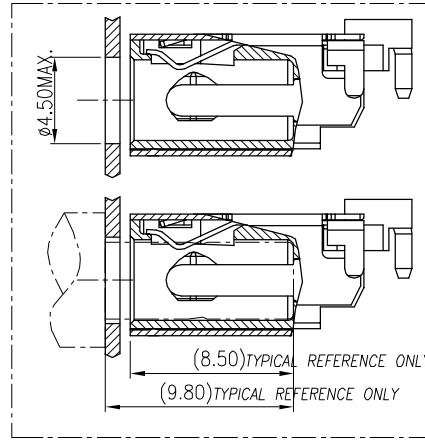
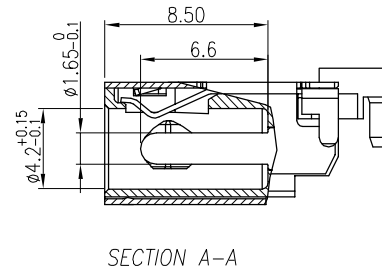
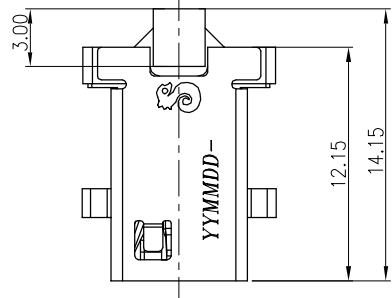


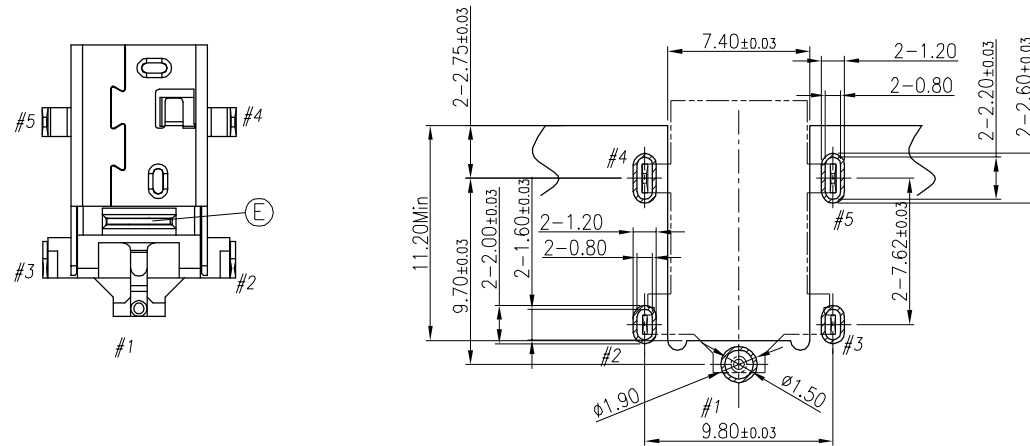
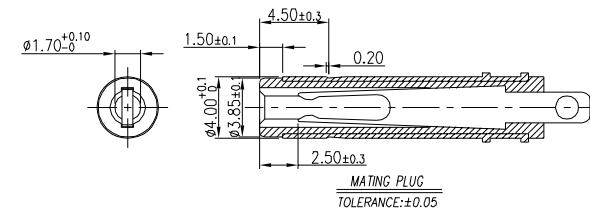
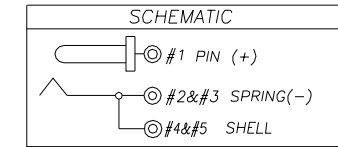
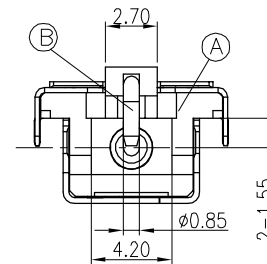
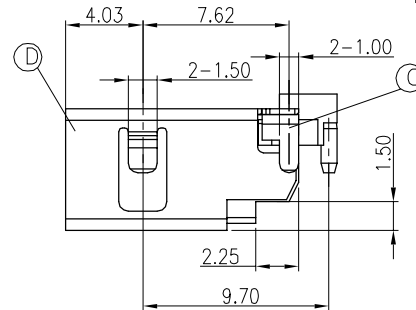
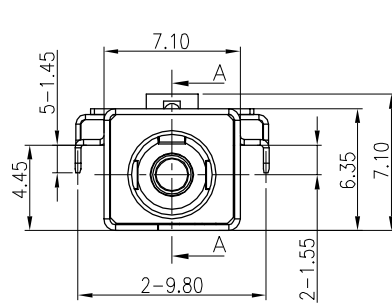
REV.	ECN NO OR DESCRIPTION	REVISED	DATE
A	PDR NO.T190118-3A	Xuehua	2020.4.7



SPECIFICATIONS:

- ELECTRICAL CHARACTERISTICS:
 - RATING: 25V DC; 5.7A MAX.
 - CONTACT RESISTANCE: 30mΩ MAX.
 - DIELECTRIC WITHSTANDING VOLTAGE: 500V AC FOR ONE MINUTE.
 - INSULATION RESISTANCE: 100MΩ MIN. MEASURED BY 500 VDC
- MECHANICAL CHARACTERISTICS:
 - INSERTION FORCE : 2.0 KGF MAX.
 - WITHDRAWAL FORCE : 0.70 KGF MIN.
- TEMPERATURE RISE CAN'T EXCEE 30°C
- LIFE TEST: 10,000 CYCLES MIN.
- OTHER GENERAL SPEC. TO REFER "2DC3169-004111F SPEC".
- TO CONFORM TO SINGATRON HAZARDOUS SUBSTANCE FREE SPEC.
- HALOGEN FREE PRODUCT IDENTIFICATION MARK ON JACK: Ⓢ
- HALOGEN FREE PRODUCT IDENTIFICATION LABEL ON PACKAGING: Ⓢ
- FOR HAND SOLDERING LEAD-FREE PROCESS.
- PRINTED DATE CODE "YYMMDD" ON TOP OF CONNECTOR.

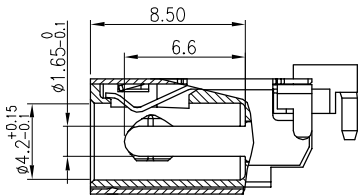
DD: DAY
MM: MONTH
YY: YEAR



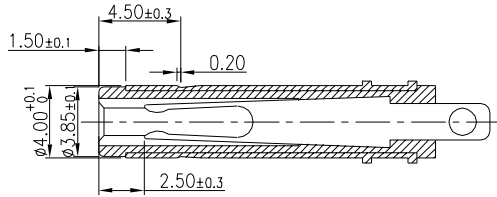
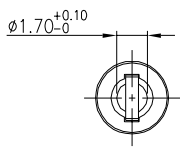
RECOMMEND P.C.B LAYOUT(T=1.0mm)
TOP VIEW (TOLERANCES:±0.05)

ITEM	DESCRIPTION	QTY	MATERIAL	PLATING & COLOR
E	TERMINAL	1	STAINLESS 0.30T	N/A
D	SHELL	1	STAINLESS 0.30T	Ni 60u"MIN.
C	SPRING(-)	1	COPPER ALLOY 0.25T	MATTE Sn 100u"Min,OVER Ni50u"Min.
B	PIN	1	BRASS	GOLD FALSH OVER Ni 50u"
A	BODY	1	HIGH TEMP. TERMOPLASTIC UL 94V-0	BLACK
UNLESS OTHERWISE SPECIFIED TOLERANCES		Singatron Enterprise Co., Ltd. 信音企業股份有限公司		
DECIMALS: ANGLES:		TITLE: DC POWER JACK		
X	:±0.5	X	:±2°	DWN Xuehua PART NO. 2DC3169-004111F
X.X	:±0.3	X.X	:±1°	CHKD Sky SCALE 4:1 UNIT: mm
X.XX	:±0.2			APVD Lussen SIZE: A3 SHEET: 1 OF 2 REV: A
CUSTOMER COPY				

REV.	ECN NO OR DESCRIPTION	REVISED	DATE
A	PDR NO.S190118-3A	Xuehua	2020.3.31

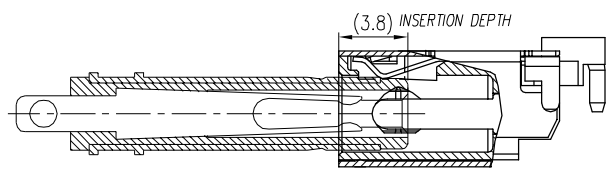


P/N. 2DC3169-004111F

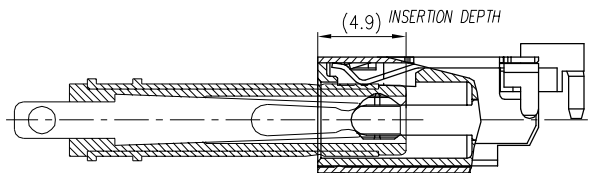


MATING PLUG
TOLERANCE:±0.05

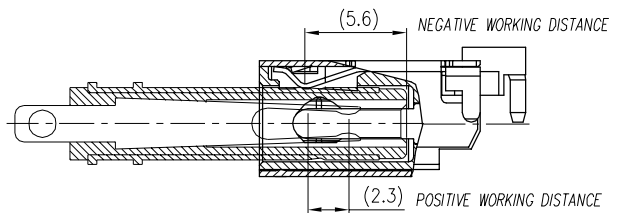
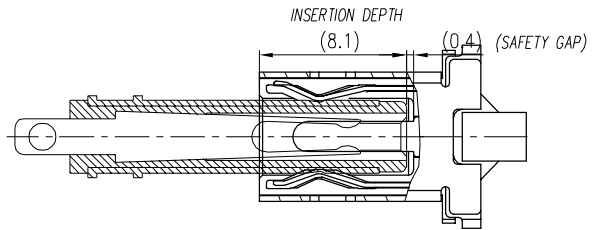
1.NEGATIVE CONTACT FIRST



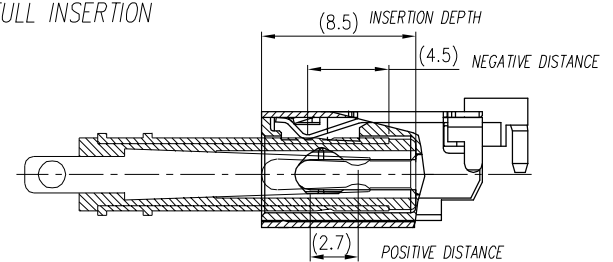
2.POSITIVE CONTACT



3.LOCK POSITION



4.FULL INSERTION



ITEM	DESCRIPTION	QTY	MATERIAL	PLATING & COLOR
UNLESS OTHERWISE SPECIFIED TOLERANCES		Singatron Enterprise Co., Ltd. 信音企業股份有限公司		
DECIMALS:	ANGLES:	TITLE	DC POWER JACK	
X :±0.5	X :±2°	DWN Xuehua	PART NO. 2DC3169-004111F	
X.X :±0.3	X.X :±1°	CHKD Sky	SCALE 4:1	UNIT: mm
X.XX :±0.2		APVD Lussen	SIZE: A3	SHEET:2 OF 2
CUSTOMER COPY				