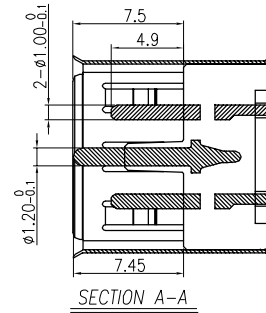
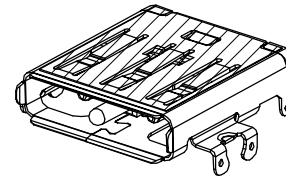
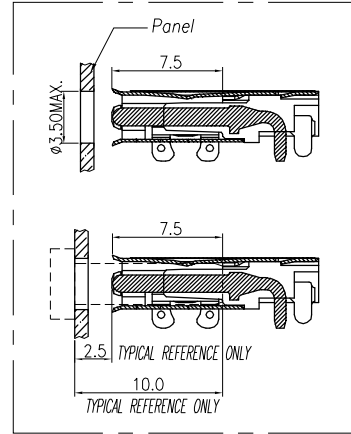
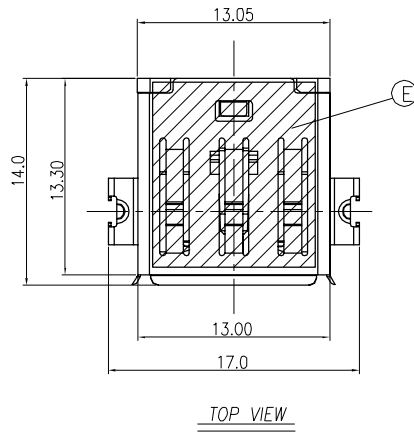


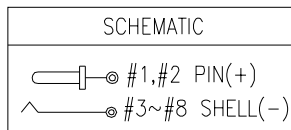
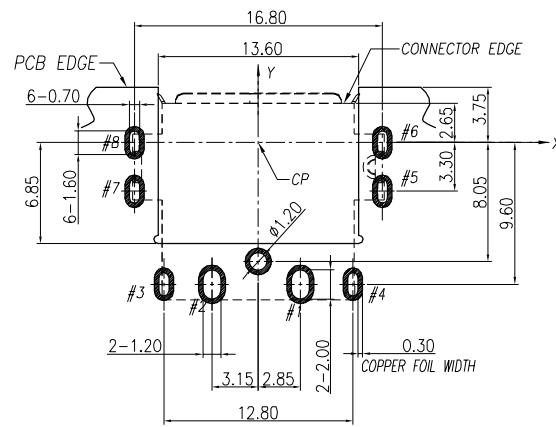
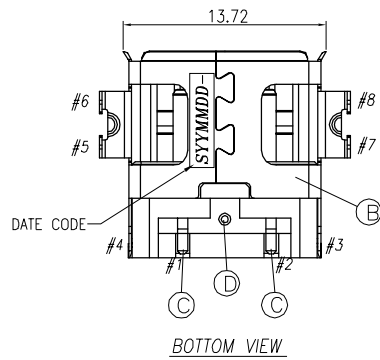
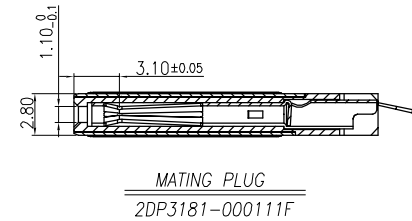
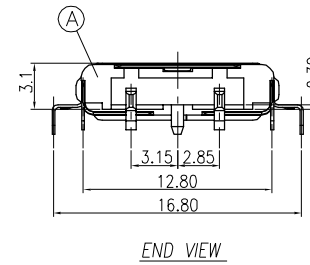
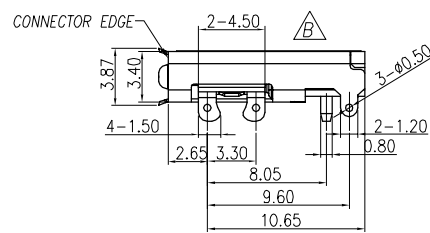
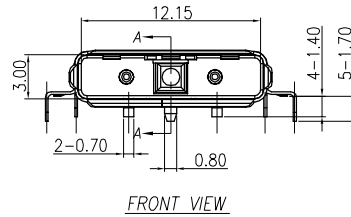
REV.	ECN NO OR DESCRIPTION	REVISED	DATE
A	PDR NO. T160616-4A	Boru	2017.12.20
B	ECN NO. S202103-C14 Δ	Qizhen	2021.03.25



SPECIFICATIONS:

- ELECTRICAL CHARACTERISTICS:
 - RATING: 24V 5A
 - CONTACT RESISTANCE: 30m Ω MAX.
 - DIELECTRIC WITHSTANDING VOLTAGE: 500V AC FOR ONE MINUTE.
 - INSULATION RESISTANCE: 100M Ω MIN. MEASURED BY 500 VDC
- MECHANICAL CHARACTERISTICS:
 - INSERTION FORCE: 3.0 Kgf MAX.
 - WITHDRAWAL FORCE: 0.3~3.0Kgf.
- LIFE TEST: 5,000 CYCLES.
- TO CONFORM TO SINGATRON HAZARDOUS SUBSTANCE FREE SPEC.
- OTHER SPEC. REFER TO "2DC3181-000111F SPEC. "
- HARLOGEN FREE PRODUCT IDENTIFICATION MARK ON JACK:
- HARLOGEN FREE PRODUCT IDENTIFICATION LABEL ON PACKAGING:
- FOR REFLOW SOLDERING LEAD-FREE PROCESS
- PRINTED DATE CODE "SYMMDD" ON TOP OF CONNECTOR.

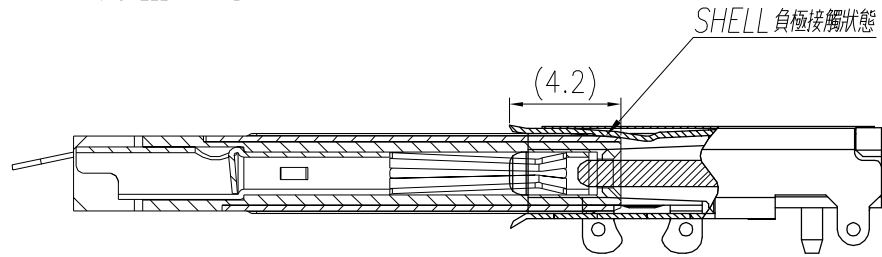
SINGATRON DD: DAY
MM: MONTH
YY: YEAR



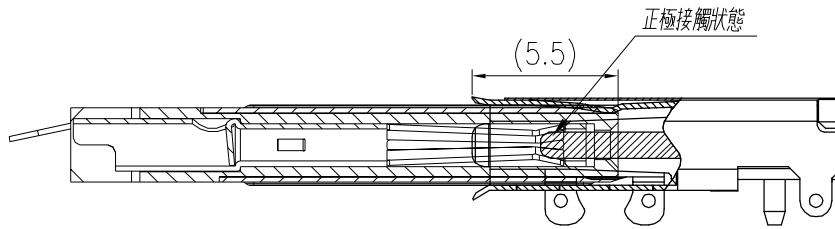
NO	DESCRIPTION	QTY	MATERIAL	PLATING & COLOR
E	MYLAR	1	0.075T	YELLOW
D	PIN(無功能)	1	COPPER ALLOY	Ni 50u" Min.
C	PIN(+)	2	COPPER ALLOY	Gold Flash Over Ni 50u" Min.
B	SHELL(-)	1	COPPER ALLOY 0.2T	Ni 50u" Min.
A	BODY	1	HIGH TEMP.THERMOPLASTIC (HALOGEN FREE)UL 94V-0	BLACK
UNLESS OTHERWISE SPECIFIED TOLERANCES		Singatron Enterprise Co., Ltd. 信音企業股份有限公司		
DECIMALS: X :±0.5 X.X :±0.3 X.XX :±0.2		ANGLES: X :±2° X.X :±1°		TITLE DC POWER JACK DWN Qizhen PART NO. 2DC3181-000111F CHKD Sky SCALE 4:1 UNIT: mm APVD Lussen SIZE: A3 SHEET:1 OF 2 REV:B
CUSTOMER COPY				

REV.	ECN NO OR DESCRIPTION	REVISED	DATE
A	PDR NO. T160616-4A	Boru	2017.12.20
B	ECN NO. S202103-C14	Qizhen	2021.03.25

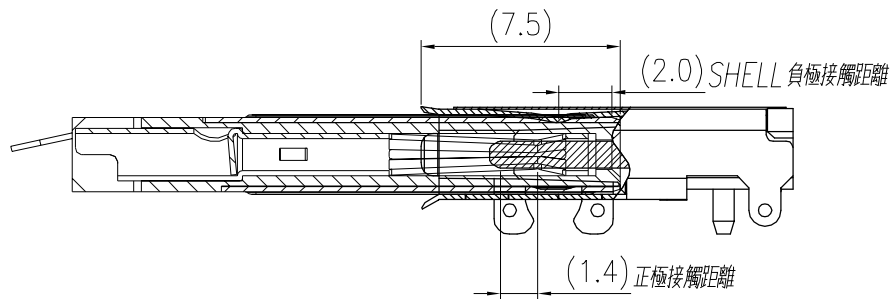
1. SHELL 負極接觸狀態



2. SPRING 正極接觸狀態



3. Plug 插到底狀態



UNLESS OTHERWISE SPECIFIED TOLERANCES

DECIMALS: ANGLES:
 X :±0.5 X :±2°
 X.X :±0.3 X.X :±1°
 X.XX :±0.2

Singatron Enterprise Co., Ltd.
 信音企業股份有限公司

TITLE	DC POWER JACK MATING DWG		
DWN	Qizhen	PART NO. 2DC3181-000111F	
CHKD	Sky	SCALE 4:1	UNIT: mm
APVD	Lussen	SIZE: A3	SHEET: 2 OF 2

CUSTOMER COPY