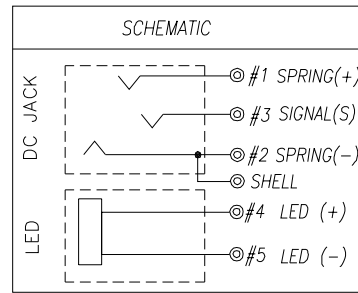
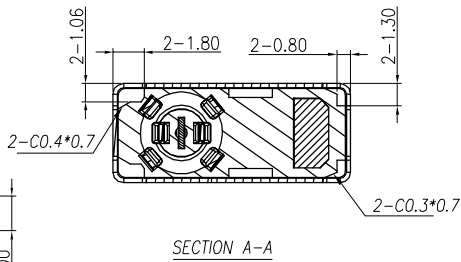
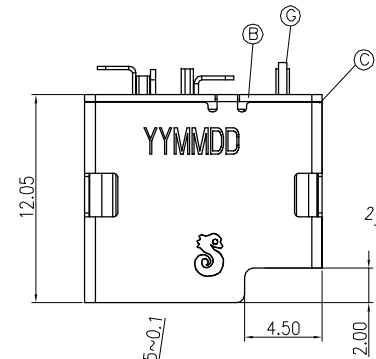
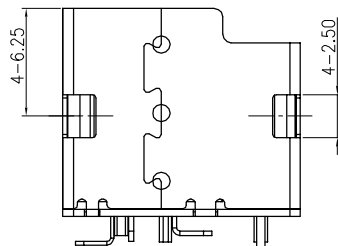
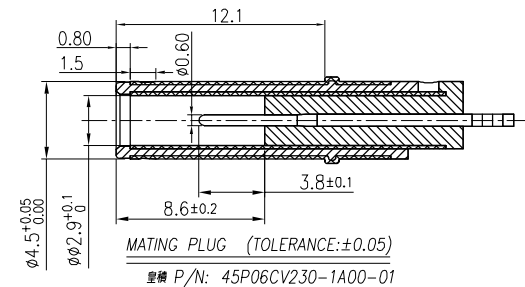
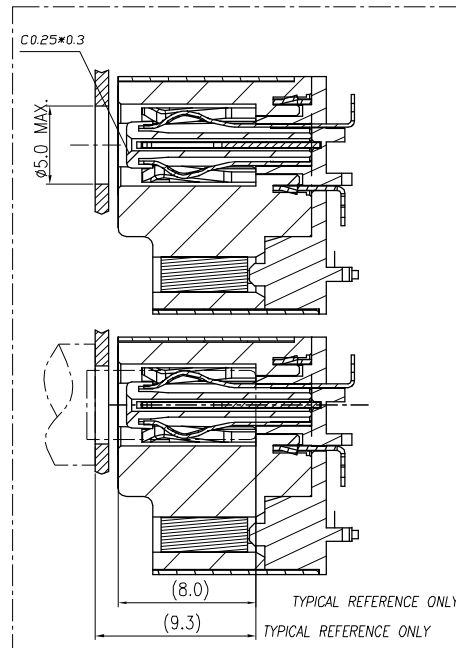
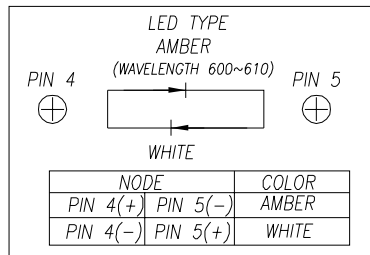
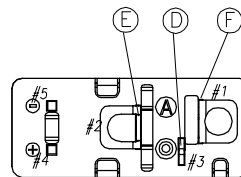
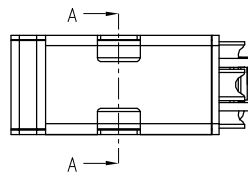
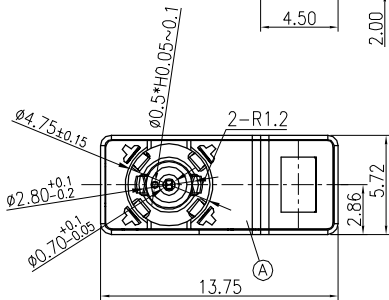


REV.	ECN NO OR DESCRIPTION	REVISED	DATE
A	PDR NO.T180110-6A	Ron	2019.04.19



SPECIFICATIONS:

- ELECTRICAL CHARACTERISTICS:
 - RATING: 20V 10.5A
 - CONTACT RESISTANCE: 30mΩ MAX.
 - DIELECTRIC WITHSTANDING VOLTAGE: 500V AC FOR ONE MINUTE.
 - INSULATION RESISTANCE: 100MΩ MIN. MEASURED BY 500 VDC
- MECHANICAL CHARACTERISTICS:
 - INSERTION FORCE: 2.5 Kgf MAX.
 - WITHDRAWAL FORCE: INITIAL 0.8Kgf MIN. AFTER LIFE TEST: 0.6kgf MIN
- LIFE TEST: 5,000 CYCLES.
- TO CONFORM TO SINGATRON HAZARDOUS SUBSTANCE FREE SPEC.
- HALOGEN FREE PRODUCT IDENTIFICATION MARK ON JACK:
- HALOGEN FREE PRODUCT IDENTIFICATION LABEL ON PACKAGING:
- FOR HAND SOLDERING LEAD-FREE PROCESS.
- PRINTED DATE CODE "YYMMDD" ON TOP OF CONNECTOR.
(YYMMDD YY:YEAR MM:MONTH DD:DAY)

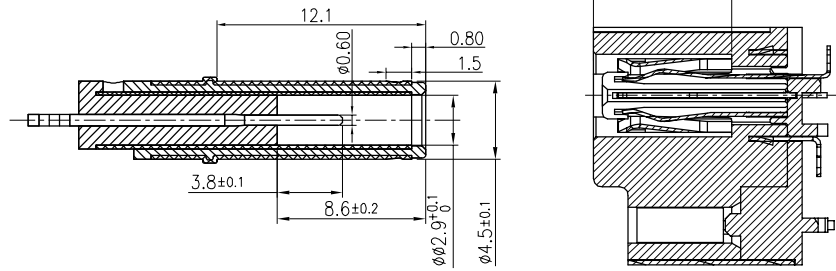


LED Soldering Condition:	
Peak temperature	Dwell time
SOLDERING IRON 350 °C Max.	3 sec Max.
	(ONE TIME ONLY)

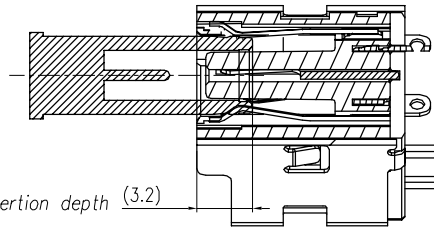
G	LED (製廠: AVAGO)	1	GaN/SiC	WHITE/AMBER(600~610) LIGHT
F	SPRING(+)	1	COPPER ALLOY 0.20T	Ni (50u" Min.) UNDERPLATED OVER ALL . (Pd/Ni 30u" Min. & GOLD-PLATED 5u" Min.)
E	SPRING(-)	1	COPPER ALLOY 0.25T	OR (Au 30 u") AT CONTACT AREA . AND Sn 120u" Min. ON SOLDER TAIL .
D	SIGNAL	1	COPPER ALLOY 0.30T	
C	SHELL	1	SUS 430-1/2H 0.25T	Ni 50u" Min.
B	COVER	1	THERMOPLASTIC UL 94V-0 (HALOGEN FREE)	BLACK
A	BODY	1	THERMOPLASTIC UL 94V-0 (HALOGEN FREE)	BLACK
NO	DESCRIPTION	QTY	MATERIAL	PLATING & COLOR
UNLESS OTHERWISE SPECIFIED TOLERANCES		Singatron Enterprise Co., Ltd. 信音企業股份有限公司		
DECIMALS:	ANGLES:	TITLE	DC POWER JACK WITH LED	
X : ±0.5	X : ±2°	DWN	Ron	PART NO. 2DC3182-001114F
X.X : ±0.3	X.X : ±1°	CHKD	Sky	SCALE 4:1 UNIT: mm
X.XX : ±0.2		APVD	Lussen	SIZE: A3 SHEET: 1 OF 2 REV:A

CUSTOMER COPY

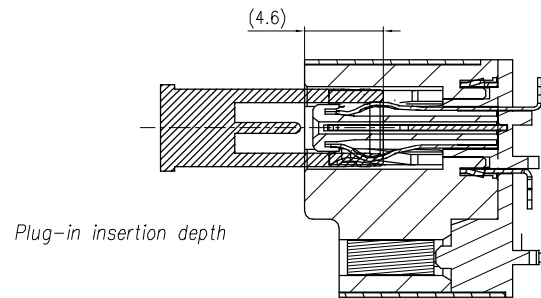
REV.	ECN NO OR DESCRIPTION	REVISED	DATE
A	PDR NO.T180110-6A	Ron	2019.04.19



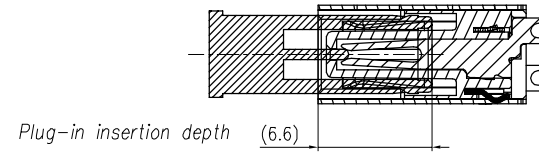
1.The negative contact state



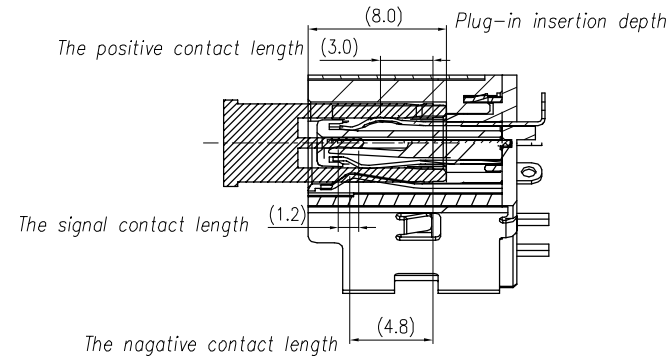
2.The positive contact state




3.The signal contact state



4.Plug-in to the end



NO	DESCRIPTION	QTY	MATERIAL	PLATING & COLOR
UNLESS OTHERWISE SPECIFIED TOLERANCES		 Singatron Enterprise Co., Ltd. 信音企業股份有限公司		
DECIMALS:	ANGLES:	TITLE	MATING DRAWING	
X :±0.5	X :±2°	DWN	Ron	PART NO. 2DC3182-001114F
X.X :±0.3	X.X :±1°	CHKD	Sky	SCALE 4:1 UNIT: mm
X.XX :±0.2		APVD	Lussen	SIZE: A3 SHEET: 2 OF 2 REV: A
CUSTOMER COPY				