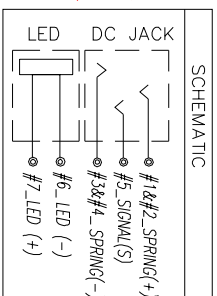


3D VIEW

| LED TYPE | PIN #7 | PIN #6 |
|---------------------|--------|--------|
| AMBER | + | + |
| WHITE | | |
| MODE | COLOR | |
| PIN_#7(+)/PIN_#6(-) | AMBER | |
| PIN_#7(-)/PIN_#6(+) | WHITE | |

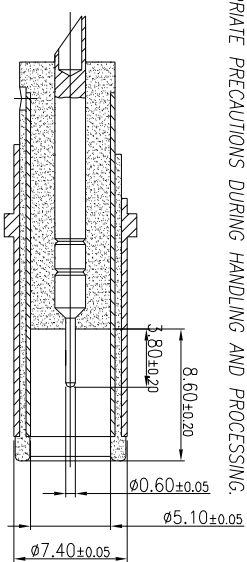
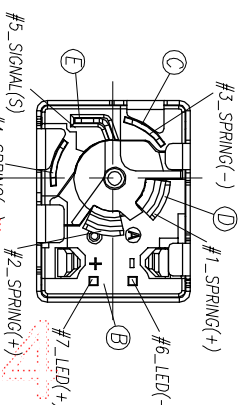
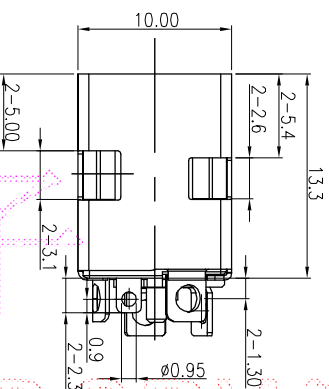
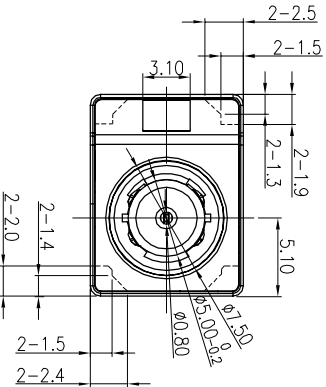


LED Soldering Condition:

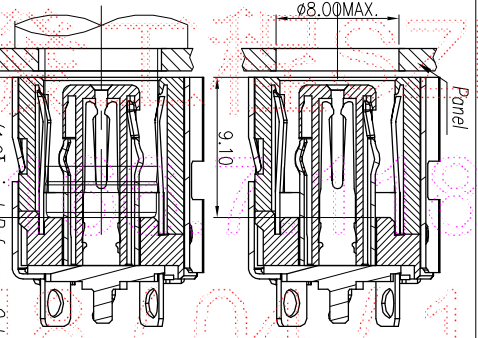
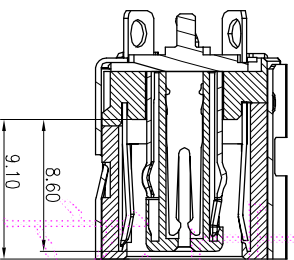
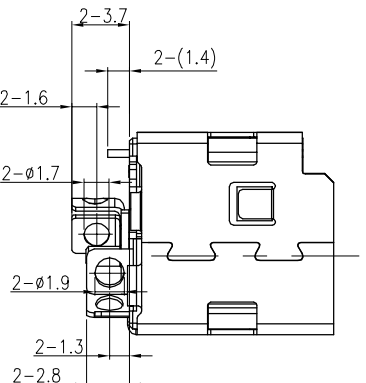
Peak temperature 350 °C. Max.
Dwell time 3 sec Max.
Soldering Iron 3 sec Max.
(one time only)

SPECIFICATIONS:

- ELECTRICAL CHARACTERISTICS:
 - RATING: DC 20V/17A.
 - CONTACT RESISTANCE: 30mΩ MAX.(INITIAL)
 - JACK SHALL WITHSTAND 500 V AC BETWEEN ANY ADJACENT TERMINAL(EXCEPT LED) FOR ONE MINUTE.
 - INSULATION RESISTANCE: 100MΩ MIN. MEASURED BY 500 VDC
- MECHANICAL CHARACTERISTICS:
 - INSERTION FORCE : 2.5 KGF MAX.
 - WITHDRAWAL FORCE : 1.0 KGF MIN.
- LIFE TEST: 5,000 CYCLES MIN.
- OTHER GENERAL SPEC. TO REFER 20CC3183-000114F SPEC*
- TO CONFORM TO SINGATRON HAZARDOUS SUBSTANCE FREE SPEC.
- HALOGEN FREE PRODUCT IDENTIFICATION MARK ON JACK:
- HALOGEN FREE PRODUCT IDENTIFICATION LABEL ON PACKAGING:
- FOR HAND SOLDERING LEAD-FREE PROCESS.
- CAUTION: DEVICES ARE CLASS 1 ESD SENSITIVE. PLEASE OBSERVE APPROPRIATE PRECAUTIONS DURING HANDLING AND PROCESSING.



MATING PLUG



| NO | DESCRIPTION | MATERIAL | PLATING & COLOR |
|----|-------------|---|---|
| H | BACK PLATE | 1 THERMOPLASTIC UL 94V-0 (HALOGEN FREE) | BLACK |
| G | LED | 1 GAN/SiC | WHITE/AMBER(600~612) LIGHT |
| F | SHELL | 1 STAINLESS 0.3T | NI 60μ Min. |
| E | SIGNAL | 1 COPPER ALLOY 0.3T | COLD TENSIL ON CONTACT MAKE SUR200* ON SOLDER THE OTHER IN 300 Min. |
| D | SPRING(+) | 1 COPPER ALLOY 0.3T | NI (50μ Min.) UNDERPLATED OVER ALL ON CONTACT AREA |
| C | SPRING(-) | 1 COPPER ALLOY 0.3T | AND WASTE-IN 120μ Min. ON SOLDER AREA |
| B | COVER | 1 THERMOPLASTIC UL 94V-0 | BLACK |
| A | HOUSING | 1 (HALOGEN FREE) | BLACK |

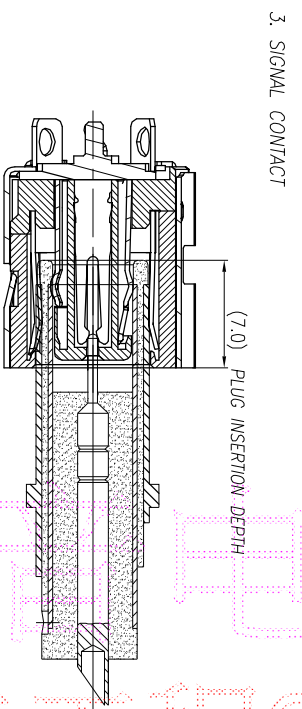
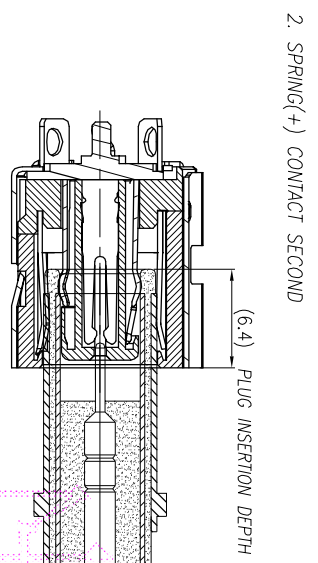
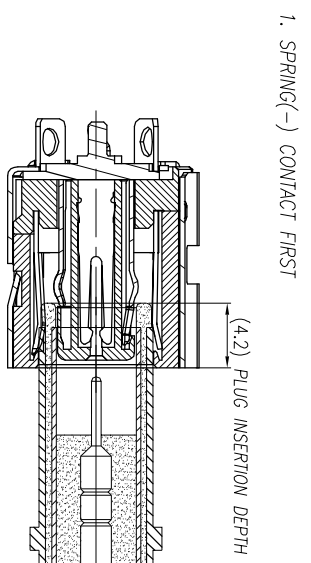
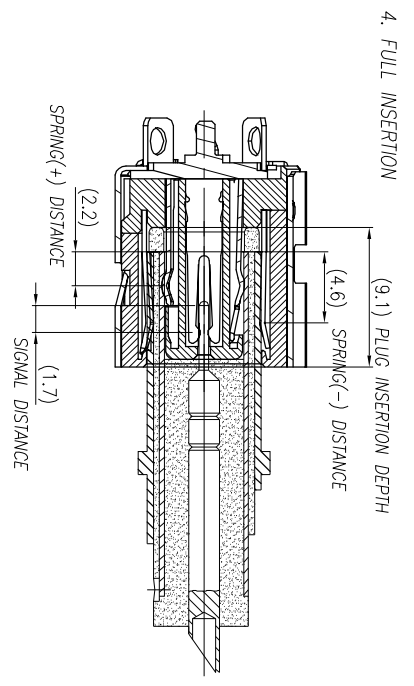
UNLESS OTHERWISE SPECIFIED TOLERANCES

Singatron Enterprise Co., Ltd.
信番企業股份有限公司

| DECIMALS: | ANGLES: | TITLE | DC POWER JACK |
|------------|----------|--------------|-------------------------------|
| X :±0.5 | X :±2° | DWN Springwu | PART NO. 2DC3183-000114F |
| X.X :±0.3 | X.X :±1° | CHKD Sky | SCALE: 4:1 UNIT: mm |
| X.XX :±0.2 | | APVD Lussen | SIZE: A3 SHEET: 1 OF 2 REV: A |

CUSTOMER COPY

| REV. | ECN NO. OR DESCRIPTION | REVISED | DATE |
|------|------------------------|----------|----------|
| A | PDR NO.170118-1A | Springwu | 2018.4.4 |



05 : 24

10.166.7.118
2018 / 04 / 10

信通电子

| NO | DESCRIPTION | QTY | MATERIAL | PLATING & COLOR |
|---------------------------------------|---------------|----------|----------------|----------------------|
| UNLESS OTHERWISE SPECIFIED TOLERANCES | | | | |
| DECIMALS: | ANGLES: | | | |
| X :±0.5 | X :±2° | | | |
| X.X :±0.3 | X.X :±1° | | | |
| X.XX :±0.2 | | | | |
| TITLE | DC POWER JACK | | | |
| DWN | Springwu | PART NO. | 2DC3183-00014F | |
| CHKD | Sky | SCALE: | 4:1 | UNIT: mm |
| APVD | Lussen | SIZE: | A3 | SHEET: 2 OF 2 REV: A |
| CUSTOMER COPY | | | | |

| | | |
|-----|--------------------------------|-----------------|
| QTY | MATERIAL | PLATING & COLOR |
| | Singatron Enterprise Co., Ltd. | |
| | 信通企業股份有限公司 | |