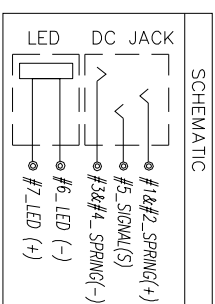
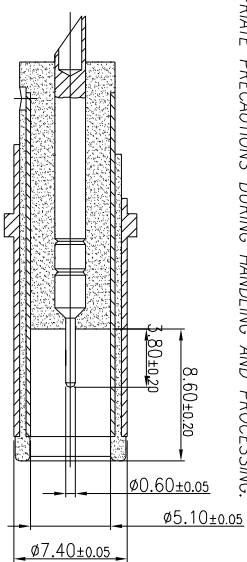
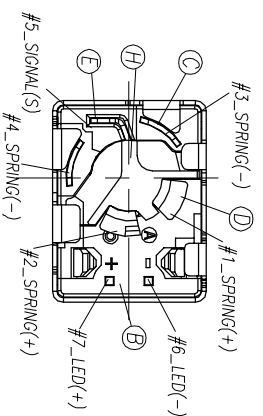
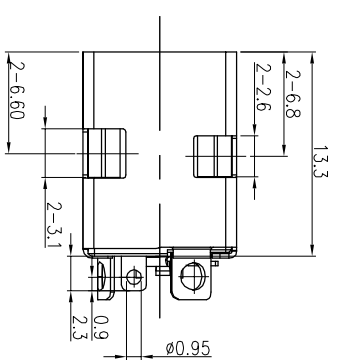
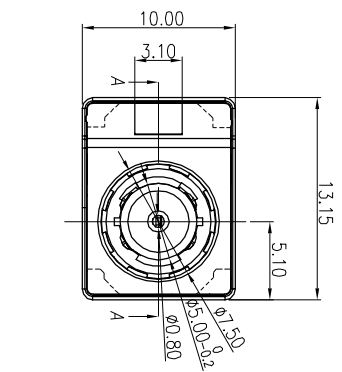


LED TYPE		LED COLOR	
PIN #7	AMBER	PIN #6	AMBER
+		+	
MODE	WHITE	MODE	WHITE
PIN #7(+)/PIN #6(-)		PIN #7(+)	
PIN #7(-)/PIN #6(+)			

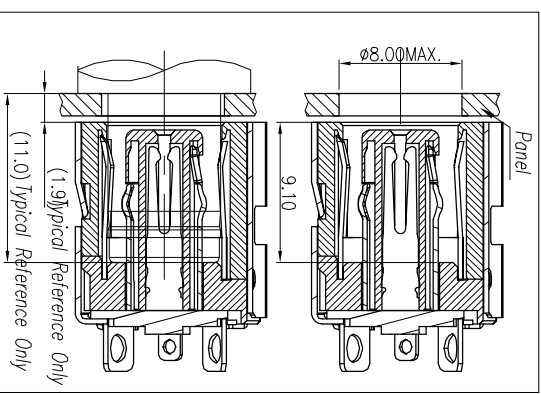
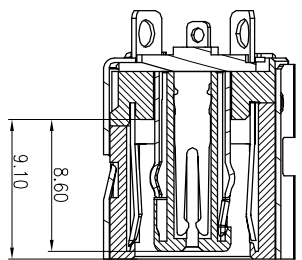
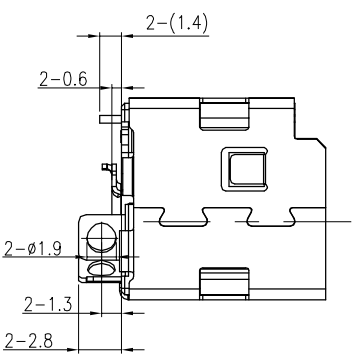


LED Soldering Condition:

Peak temperature	Dwell time
Soldering Iron 350 °C Max.	3 sec Max.
	(one time only)



MATING PLUG



SPECIFICATIONS:

- ELECTRICAL CHARACTERISTICS:
 - RATING: DC 20V/18A.
 - CONTACT RESISTANCE: 30mΩ MAX.(INITIAL)
 - JACK SHALL WITHSTAND 500 V AC BETWEEN ANY ADJACENT TERMINAL(EXCEPT LED) FOR ONE MINUTE.
 - INSULATION RESISTANCE: 100MΩ MIN. MEASURED BY 500 VDC
- MECHANICAL CHARACTERISTICS:
 - INSERTION FORCE : 2.5 KGF MAX.
 - WITHDRAWAL FORCE : 1.0 KGF MIN.(INITIAL).
 - LIFE TEST: 5,000 CYCLES MIN. 0.6~2.5KGF(AFTER LIFE TEST)
 - OTHER GENERAL SPEC. TO REFER 2DC3183-002114F SPEC.
 - TO CONFORM TO SINGATRON HAZARDOUS SUBSTANCE FREE SPEC.
 - HALOGEN FREE PRODUCT IDENTIFICATION MARK ON JACK:
 - HALOGEN FREE PRODUCT IDENTIFICATION LABEL ON PACKAGING:
 - FOR HAND SOLDERING LEAD-FREE PROCESS.
 - CAUTION: DEVICES ARE CLASS 1 ESD SENSITIVE. PLEASE OBSERVE APPROPRIATE PRECAUTIONS DURING HANDLING AND PROCESSING.

NO	DESCRIPTION	QTY	MATERIAL	PLATING & COLOR
H	BACK PLATE	1	THERMOPLASTIC UL 94V-0 (HALOGEN FREE)	BLACK
G	LED	1	GaN/SiC	WHITE/AMBER(600~612) LIGHT
F	SHELL	1	STAINLESS 0.3T	NI 60u" Min.
E	SIGNAL	1	COPPER ALLOY 0.3T	COND TREAT ON CONTACT MAKE SURE ON SOLDER. ALL OVER IN 50u" Min.
D	SPRING(+)	1	COPPER ALLOY 0.3T	40 50u" OR 40 50" ODER P0/N 25u" Min. ON CONTACT AREA.
C	SPRING(-)	1	COPPER ALLOY 0.3T	ALL OVER IN 100u" ON SOLDER AREA AND OVER IN 50u" Min.
B	COVER	1	THERMOPLASTIC UL 94V-0	BLACK
A	HOUSING	1	(HALOGEN FREE)	BLACK

UNLESS OTHERWISE SPECIFIED TOLERANCES

DECIMALS:	ANGLES:
X :±0.5	X :±2°
X.X :±0.3	X.X :±1°
X.XX :±0.2	

TITLE	DC POWER JACK
DWN Springwu	PART NO. 2DC3183-002114F
CHKD Sky	SCALE: 4:1 UNIT: mm
APVD Lussen	SIZE: A3 SHEET: 1 OF 2 REV: A

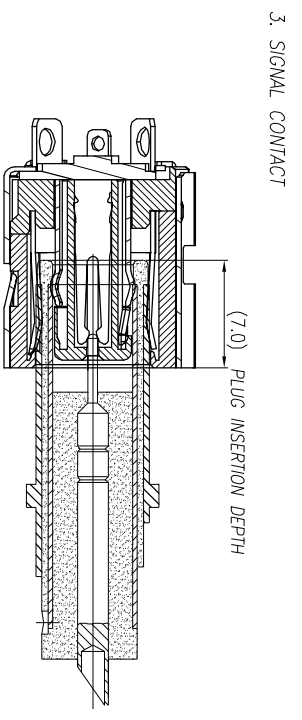
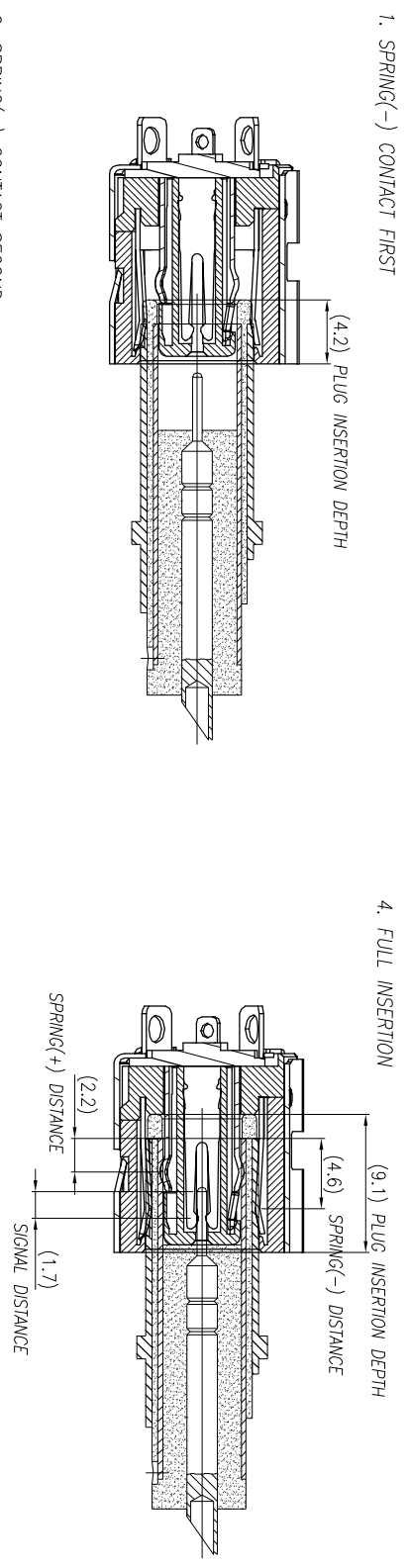
CUSTOMER COPY



Singatron Enterprise Co., Ltd.
信番企業股份有限公司

REV	ECN NO	OR DESCRIPTION	REVISED	DATE
A	PDR NO.T180903-1A		Springwu	2019.4.8

REV.	ECN NO. OR DESCRIPTION	REVISED	DATE
A	PDR NO.180903-1A	Springwu	2019.4.8



NO	DESCRIPTION	QTY	MATERIAL	PLATING & COLOR
UNLESS OTHERWISE SPECIFIED TOLERANCES				
DECIMALS: ANGLES:				
X	:±0.5	X	:±2°	
X.X	:±0.3	X.X	:±1°	
X.XX	:±0.2			
TITLE		DC POWER JACK		
DWN	Springwu	PART NO.	2DC3183-002114F	
CHKD	Sky	SCALE:	4:1	UNIT: mm
APVD	Lussen	SIZE:	A3	SHEET: 2 OF 2 REV: A

CUSTOMER COPY

Singatron Enterprise Co., Ltd.
信晉企業股份有限公司