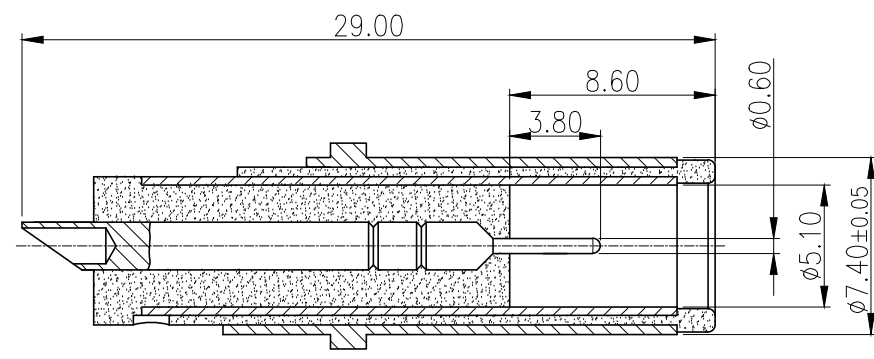


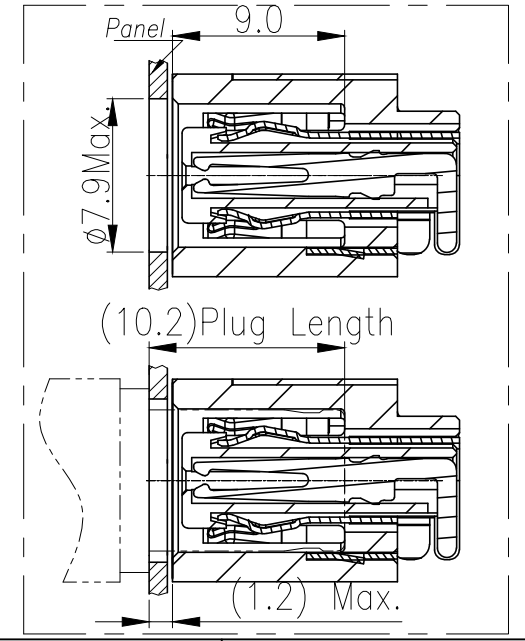
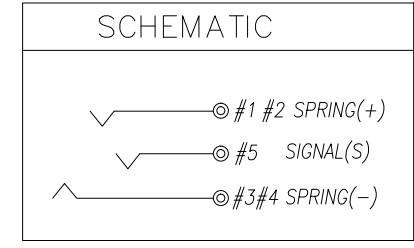
REV.	ECN NO OR DESCRIPTION	REVISED	DATE
A	PDR NO.:S221019-1A	Jie	2023.3.2

SPECIFICATIONS:

- ELECTRICAL CHARACTERISTICS:
  - RATING: DC 20V/17A.
  - CONTACT RESISTANCE: 30mΩ MAX.(INITIAL)
  - DIELECTRIC WITHSTANDING VOLTAGE: 500V DC FOR ONE MINUTE.
  - INSULATION RESISTANCE: 100MΩ MIN. MEASURED BY 500 VDC.
- MECHANICAL CHARACTERISTICS:
  - INSERTION FORCE : 3.0 KGF MAX.
  - WITHDRAWAL FORCE : 0.35 KGF MIN.
- LIFE TEST: 5,000 CYCLES MIN.
- OTHER GENERAL SPEC. TO REFER "2DC3184-005111F SPEC".
- TO CONFORM TO SINGATRON HAZARDOUS SUBSTANCE FREE SPEC.
- HALOGEN FREE PRODUCT IDENTIFICATION MARK ON JACK:
- HALOGEN FREE PRODUCT IDENTIFICATION LABEL ON PACKAGING:
- FOR REFLOW SOLDERING LEAD-FREE PROCESS.
- PACKAGING: TAPE&REEL



MATING PLUG:  $\phi 7.4 \times \phi 5.1 \times P0.6 \times 29.0L$   
(TOLERANCE  $\pm 0.05$ )



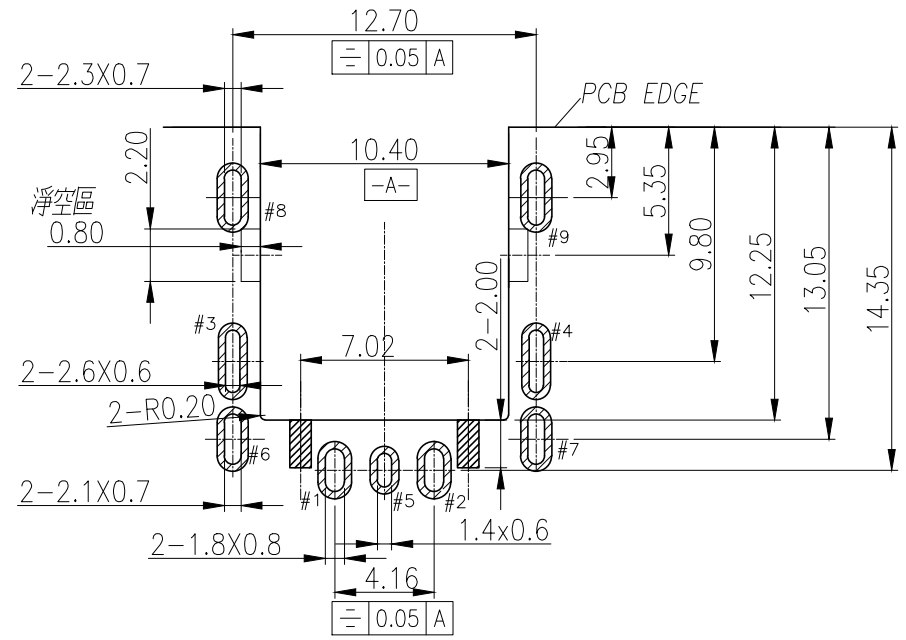
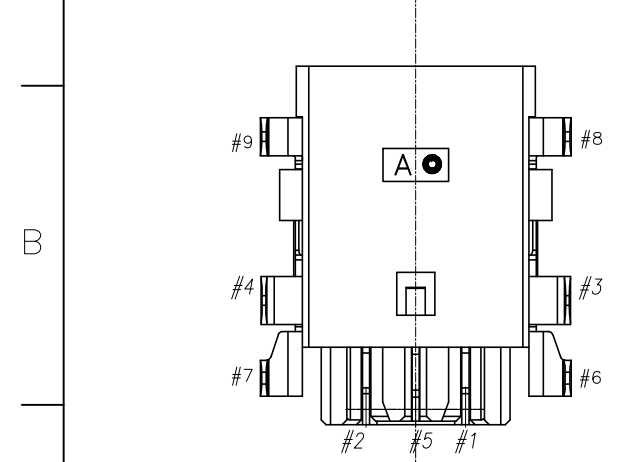
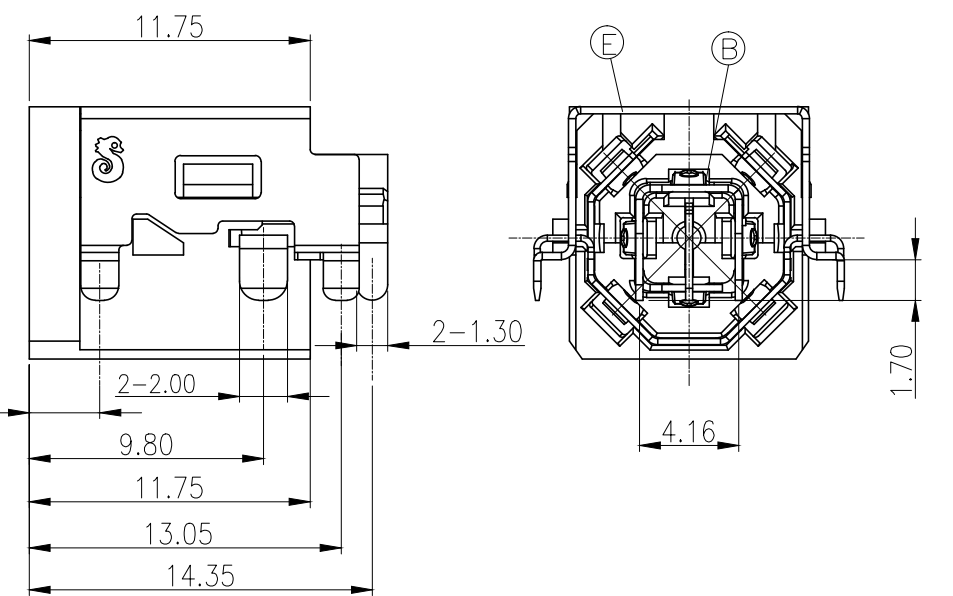
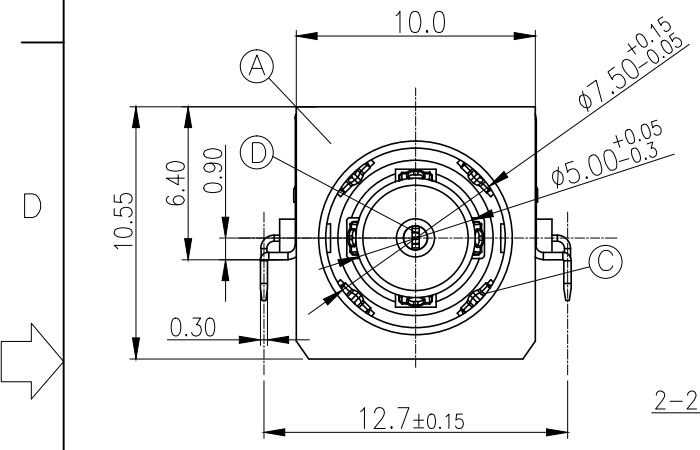
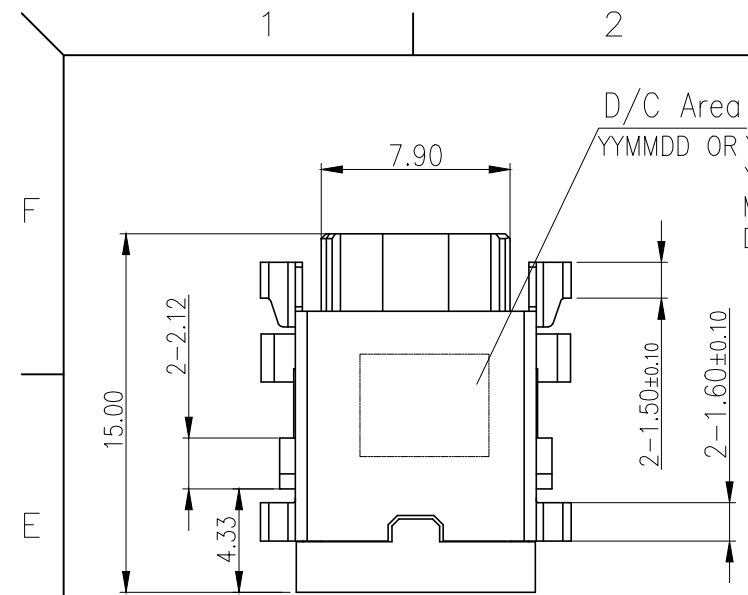
E	SHIELDING	1	SUS 0.3T	Ni 60u"Min
D	SIGNAL	1	COPPER ALLOY 0.30T	Ni (50u" Min.) UNDERPLATED OVER ALL , GOLD-PLATED(3u" Min.) AT CONTACT AREA . AND Matte Sn 120u" Min. ON SOLDER TAIL .
C	SPRING(-)	1	COPPER ALLOY 0.25T	
B	SPRING(+)	1	COPPER ALLOY 0.30T	
A	HOUSING	1	LCP UL 94V-0 (HALOGEN FREE)	BLACK
NO	DESCRIPTION	QTY	MATERIAL	PLATING & COLOR

UNLESS OTHERWISE SPECIFIED TOLERANCES

Singatron Enterprise Co., Ltd.  
信音企業股份有限公司

DECIMALS:	ANGLES:	TITLE	DC POWER JACK	
X :±0.5	X :±2°	DWN	Jie	<b>PART NO. 2DC3184-005111F</b>
X.X :±0.3	X.X :±1°	CHKD	Lussen	SCALE 4:1 UNIT: mm
X.XX :±0.2		APVD	Liao	SIZE: A3 SHEET:1 OF 2 REV: A

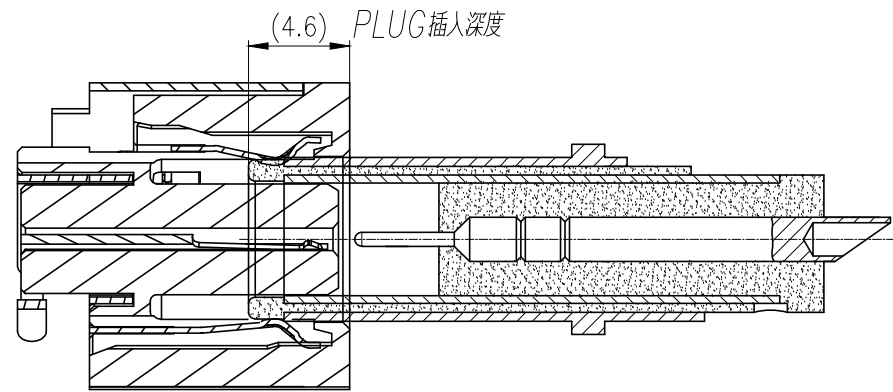
**CUSTOMER COPY**



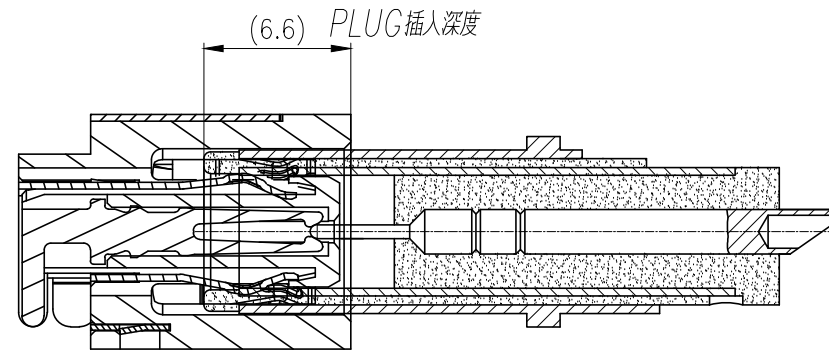
RECOMMENDED P.C.B LAYOUT  
TOP VIEW (Tolerance:±0.05)

REV.	ECN NO OR DESCRIPTION	REVISED	DATE
A	PDR NO.:S221019-1A	Jie	2023.3.2

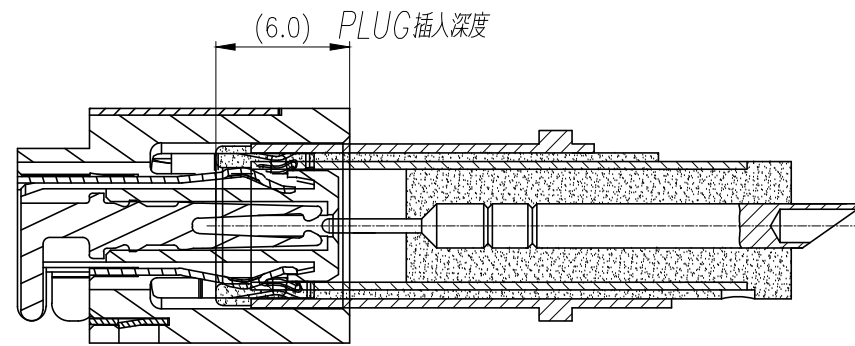
1. 負極接觸狀態



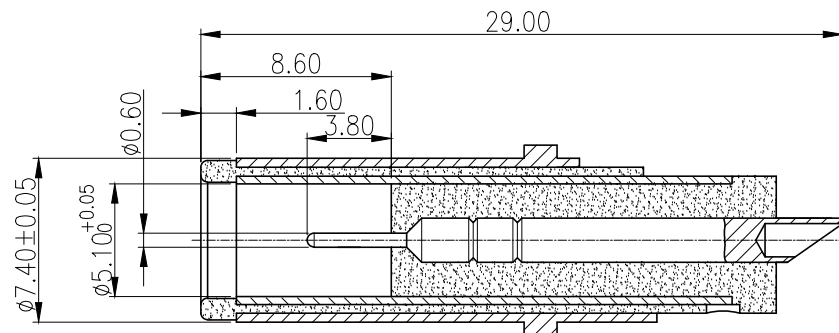
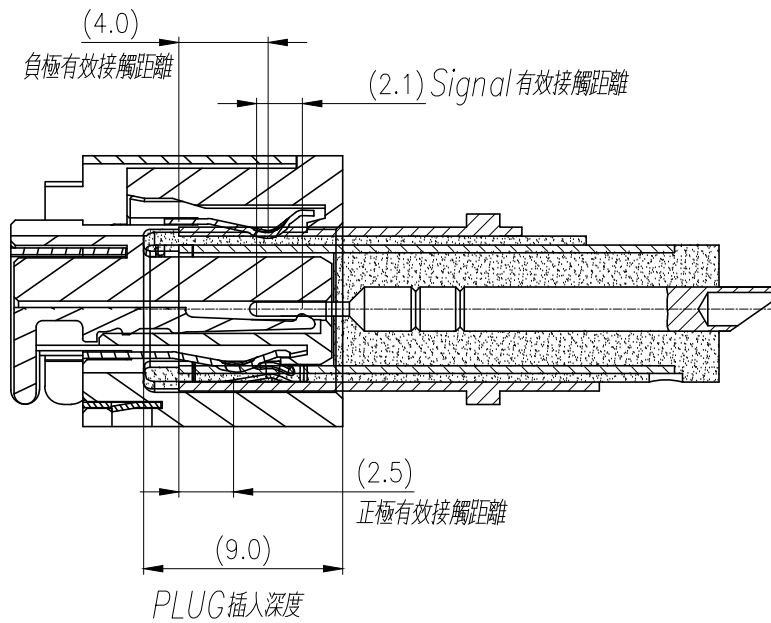
3. Signal 接觸狀態



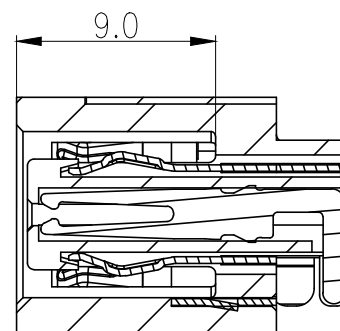
2. 正極接觸狀態



4. FULL MATING 狀態



MATING PLUG:  $\phi 7.4 \times \phi 5.1 \times P0.6 \times 29.0L$   
(TOLERANCE  $\pm 0.05$ )



NO	DESCRIPTION	QTY	MATERIAL	PLATING & COLOR
UNLESS OTHERWISE SPECIFIED TOLERANCES		Singatron Enterprise Co., Ltd. 信音企業股份有限公司		
DECIMALS:	ANGLES:	TITLE	MATING DRAWING	
X : $\pm 0.5$	X : $\pm 2^\circ$	DWN	Jie	PART NO. 2DC3184-005111F
X.X : $\pm 0.3$	X.X : $\pm 1^\circ$	CHKD	Lussen	SCALE 4:1 UNIT: mm
X.XX : $\pm 0.2$		APVD	Liao	SIZE: A3 SHEET: 2 OF 2 REV: A
CUSTOMER COPY				