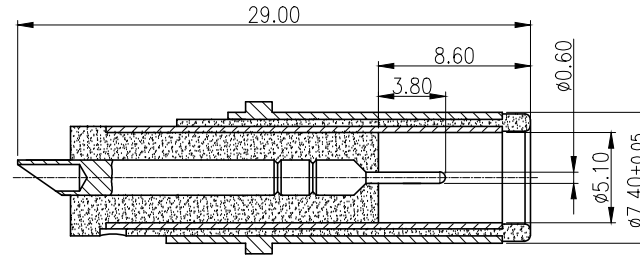
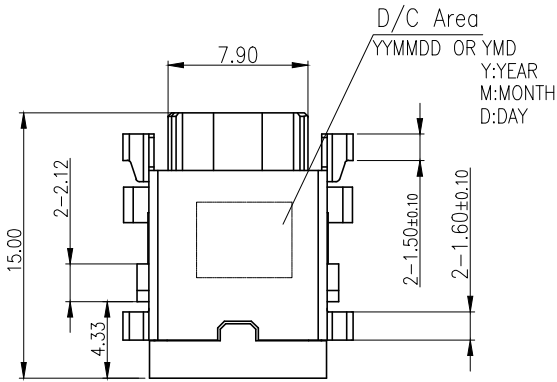
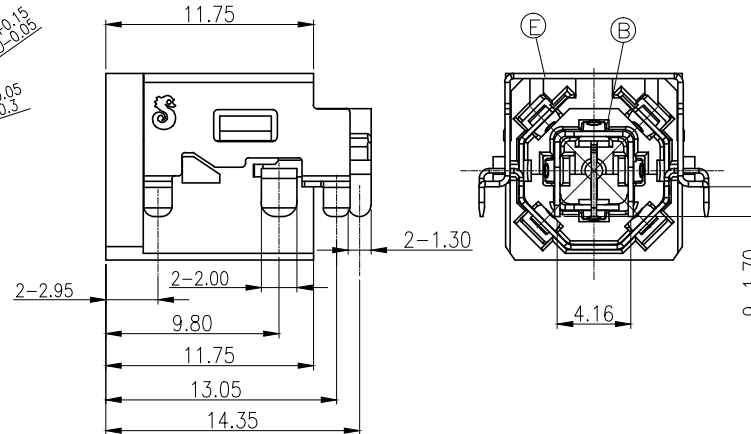
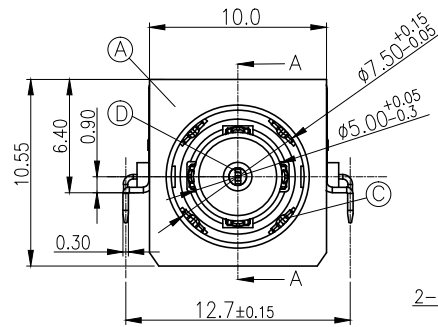


REV.	ECN NO OR DESCRIPTION	REVISED	DATE
A	PDR NO.:S230602-1A	Can	2023.9.28



MATING PLUG: $\phi 7.4 \times \phi 5.1 \times P 0.6 \times 29.0L$
(TOLERANCE ± 0.05)



SPECIFICATIONS:

1. ELECTRICAL CHARACTERISTICS:

- 1-1. RATING: DC 20V/17A.
- 1-2. CONTACT RESISTANCE: 30mΩ Max.(INITIAL)
- 1-3. DIELECTRIC WITHSTANDING VOLTAGE: 500V DC FOR ONE MINUTE.
- 1-4. INSULATION RESISTANCE: 100MΩ Min. MEASURED BY 500 VDC.

2. MECHANICAL CHARACTERISTICS:

- 2-1. INSERTION FORCE : 3.0 Kgf Max.
- 2-2. WITHDRAWAL FORCE : 0.35 Kgf Min.

3. LIFE TEST: 5,000 CYCLES Min.

4. OTHER GENERAL SPEC. TO REFER "2DC3184-006111F SPEC".

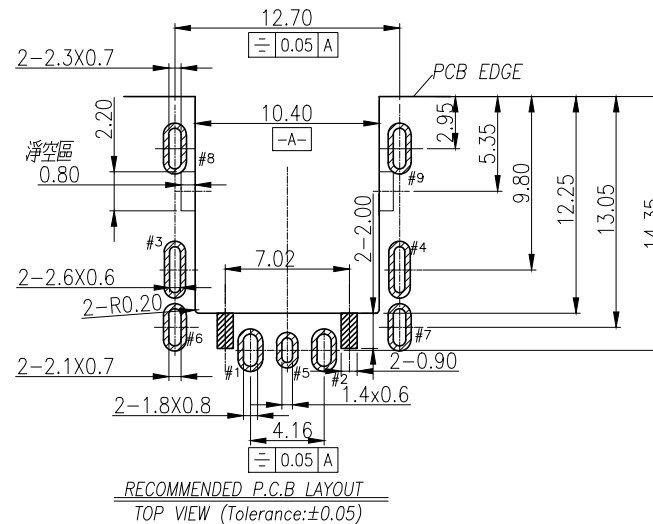
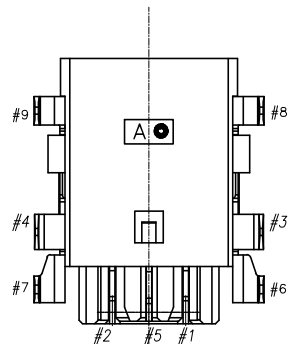
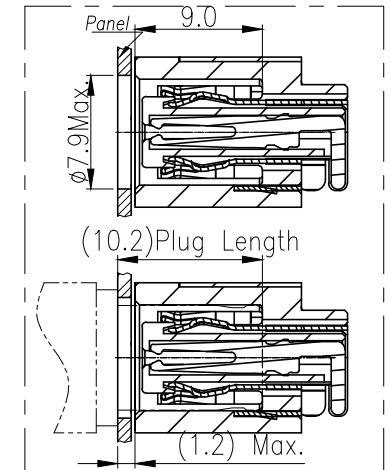
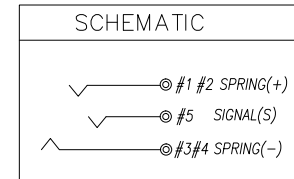
5. TO CONFORM TO SINGATRON HAZARDOUS SUBSTANCE FREE SPEC.

6. HALOGEN FREE PRODUCT IDENTIFICATION MARK ON JACK:

7. HALOGEN FREE PRODUCT IDENTIFICATION LABEL ON PACKAGING:

8. FOR REFLOW SOLDERING LEAD-FREE PROCESS.

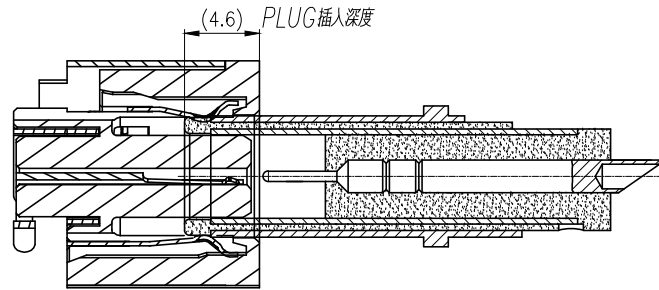
9. PACKAGING: TAPE&REEL



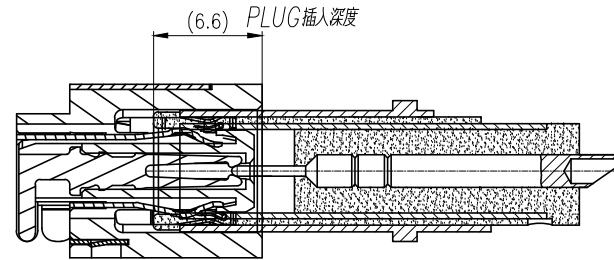
E	SHIELDING	1	SUS304-1/2H 0.3T	Ni 60u"Min
D	SIGNAL	1	C5210-EH 0.30T	Ni (50u" Min.) UNDERPLATED OVER ALL . GOLD-PLATED(3u" Min.) AT CONTACT AREA . AND Matte Sn 120u" Min. ON SOLDER TAIL .
C	SPRING(-)	1	C7035-TM04 0.25T	
B	SPRING(+)	1	C7035-TM04 0.3T	
A	HOUSING	1	PA4T UL 94V-0 (HALOGEN FREE)	BLACK
NO	DESCRIPTION	QTY	MATERIAL	PLATING & COLOR
UNLESS OTHERWISE SPECIFIED TOLERANCES		Singatron Enterprise Co., Ltd. 信音企業股份有限公司		
DECIMALS:	ANGLES:	TITLE		
X :±0.5	X :±2°	DC POWER JACK		
X.X :±0.3	X.X :±1°	DWN	Can	PART NO. 2DC3184-006111F
X.XX :±0.2		CHKD	Boye	SCALE 4:1 UNIT: mm
		APVD	Liao	SIZE: A3 SHEET: 1 OF 2 REV: A
CUSTOMER COPY				

REV.	ECN NO OR DESCRIPTION	REVISED	DATE
A	PDR NO.:S230602-1A	Can	2023.9.28

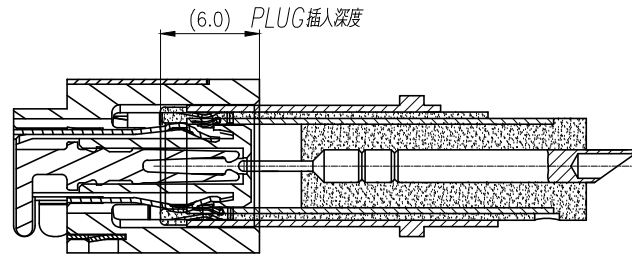
1. 負極接觸狀態



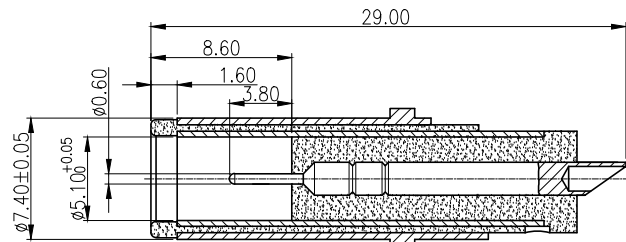
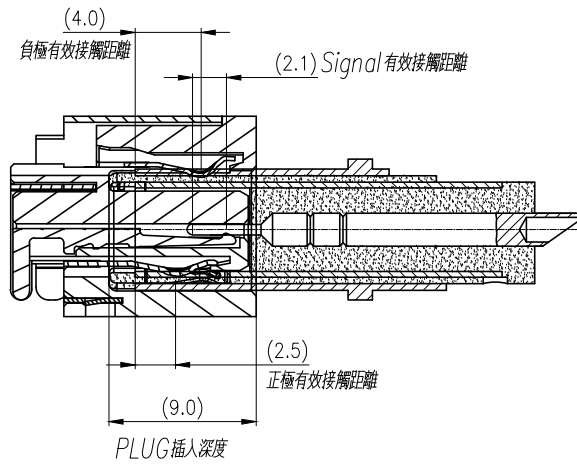
3. Signal 接觸狀態



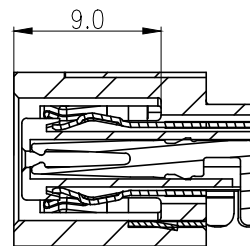
2. 正極接觸狀態



4. FULL MATING 狀態



MATING PLUG: $\phi 7.4 \times \phi 5.1 \times P0.6 \times 29.0L$
(TOLERANCE ± 0.05)



Section A-A

NO	DESCRIPTION	QTY	MATERIAL	PLATING & COLOR
UNLESS OTHERWISE SPECIFIED TOLERANCES		Singatron Enterprise Co., Ltd. 信音企業股份有限公司		
DECIMALS:	ANGLES:	TITLE	MATING DRAWING	
X : ± 0.5	X : $\pm 2^\circ$	DWN	Can	PART NO. 2DC3184-006111F
X.X : ± 0.3	X.X : $\pm 1^\circ$	CHKD	Boye	SCALE 4:1 UNIT: mm
X.XX : ± 0.2		APVD	Liao	SIZE: A3 SHEET: 2 OF 2 REV: A
CUSTOMER COPY				