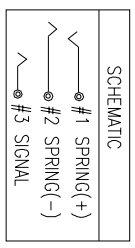
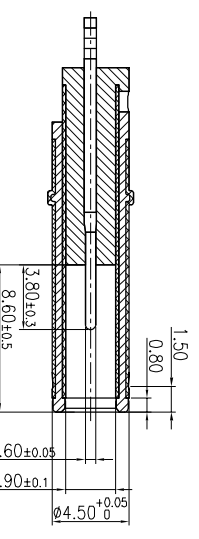
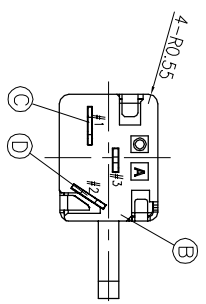
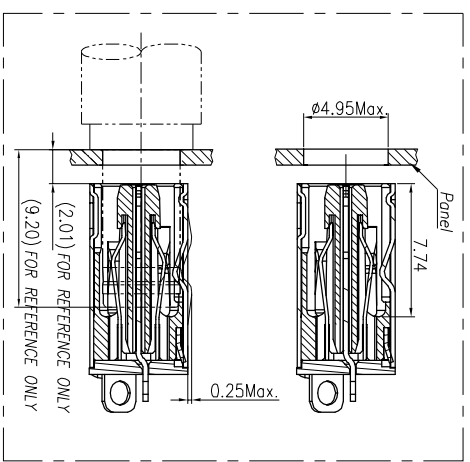
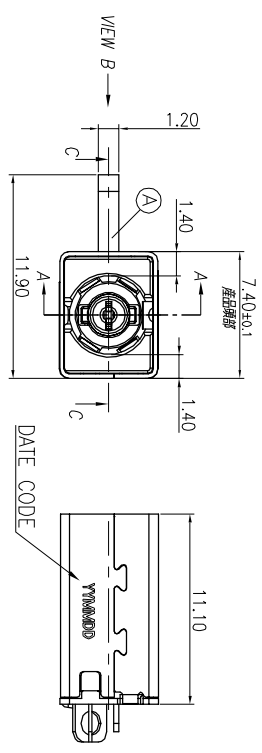
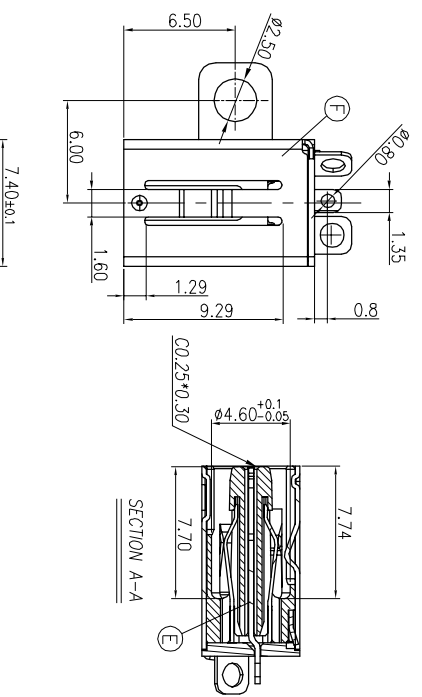
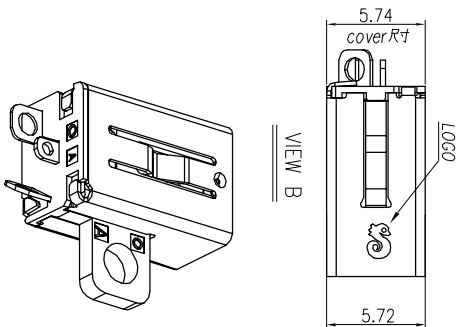
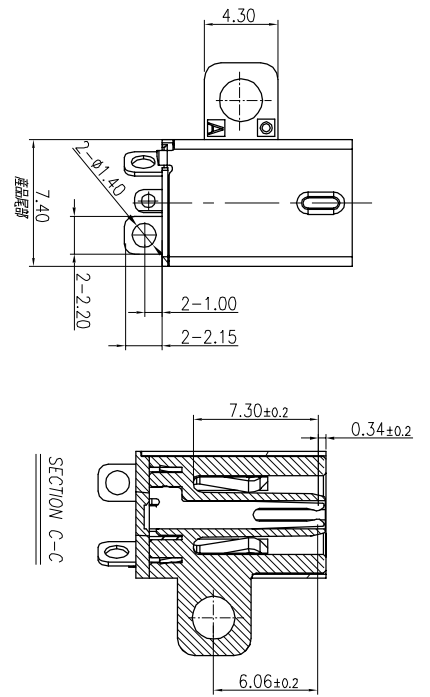


REV.	ECN NO OR DESCRIPTION	REVISED	DATE
A	PDR NO. T170427-6A	Springwu	2018.1.28



- DD: DAY  
MM: MONTH  
YY: YEAR
10. PRINTED DATE CODE "YMMDD" ON TOP OF CONNECTOR
9. FOR HAND SOLDERING LEAD-FREE PROCESS.
8. GREEN PRODUCT IDENTIFICATION LABEL ON PACKAGING.
7. GREEN PRODUCT IDENTIFICATION MARK ON JACK:
6. TO CONFORM TO SINGATRON HAZARDOUS SUBSTANCE FREE SPEC.
5. WEIGHT: 0.904g
4. LIFE TEST: 15,000 CYCLES.
3. TEMPERATURE RISE CAN'T EXCEED 30C
- 2-1. INSERTION FORCE: 0.7~2.0kgf (initial);  
0.6~2.0kgf (AFTER 5000 cycles)  
0.5~2.0kgf (AFTER 15000 cycles)
- 2-2. WITHDRAWAL FORCE: 2.0 kgf MAX.
- 1-4. INSULATION RESISTANCE: 100MΩ MIN. MEASURED BY 500 VDC
- 1-3. DIELECTRIC WITHSTANDING VOLTAGE: 500V AC FOR ONE MINUTE.
- 1-2. CONTACT RESISTANCE: 30mΩ MAX
- 1-1. RATING: 20V 7A
- SPECIFICATIONS:
1. ELECTRICAL CHARACTERISTICS:

MATING PLUG(CUAN GEE45P06C230-1A00-01)  
TOLERANCE: XX:±0.10



3D VIEW

F	SHELL	1	STAINLESS STEEL 0.25T	Ni: 60u"
E	SIGNAL	1	COPPER ALLOY 0.30T	Au 1u" ON CONTACT AREA MATE Sn 120u" ON SOLDER TAIL. ALL OVER Ni 60u"
D	NEGATIVE	1	COPPER ALLOY 0.25T	MATE Sn 120u" OVER Ni 60u"
C	POSITIVE	1	COPPER ALLOY 0.20T	MATE Sn 120u" OVER Ni 60u"
B	COVER	1	HIGH TEMP-THERMOPLASTIC (HALOGEN FREE)UL 94V-0	BLACK
A	BODY	1	THERMOPLASTIC (HALOGEN FREE)UL 94V-0	BLACK
NO	DESCRIPTION	QTY	MATERIAL	PLATING & COLOR

UNLESS OTHERWISE SPECIFIED TOLERANCES

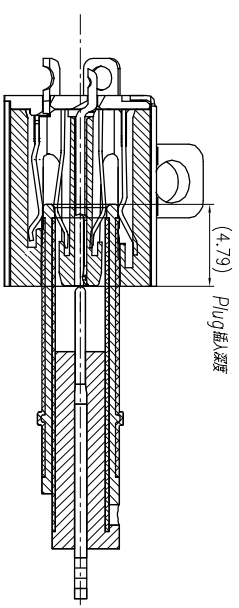
Singatron Enterprise Co., Ltd.  
信音企業股份有限公司

TITLE	DC POWER JACK
DWN	Springwu
CHKD	Sky
APVD	Lussen
PART NO.	2DC3185-000114F
SCALE	4:1
UNIT:	mm
SIZE:	A3
SHEET:	1 OF 2
REV:	A

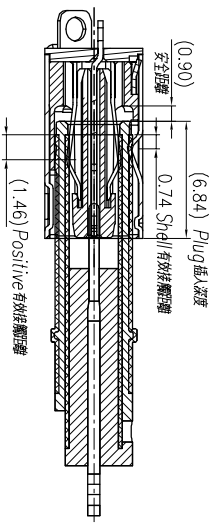
CUSTOMER COPY

REV.	ECN NO. OR DESCRIPTION	REVISED	DATE
A	PDR NO. T70427-6A	Springwu	2018.1.28

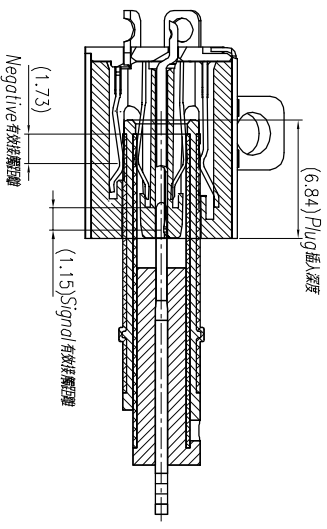
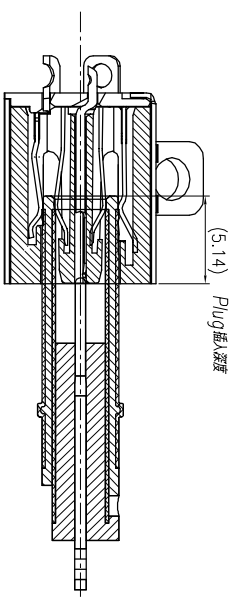
1. NEGATIVE CONTACT FIRST



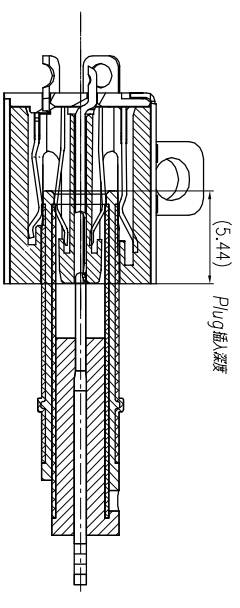
5. LOCK POSITION



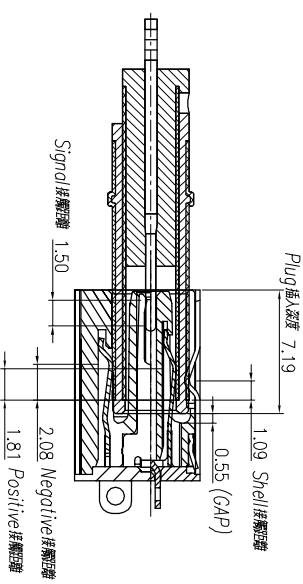
2. POSITIVE CONTACT



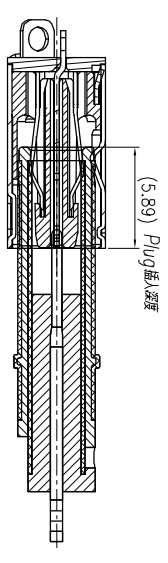
3. SIGNAL CONTACT




6. FULL INSERTION



4. SHELL CONTACT



ITEM	DESCRIPTION	QTY	MATERIAL	PLATING & COLOR
UNLESS OTHERWISE SPECIFIED TOLERANCES				
 Singatron Enterprise Co., Ltd. 信音企業股份有限公司				
TITLE DC POWER JACK_MATING DRAWING				
DWN	Springwu	PART NO.	2DC3185-000114F	
CHKD	Sky	SCALE	4:1	UNIT: mm
APVD	Lussen	SIZE: A3	SHEET: 2 OF 2	REV: A
CUSTOMER COPY				

DECIMALS:	ANGLES:
X : ±0.5	X : ±2°
X.X : ±0.3	X.X : ±1'
X.XX : ±0.15	