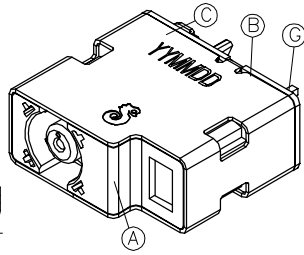
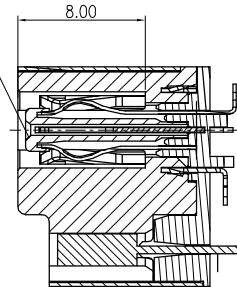
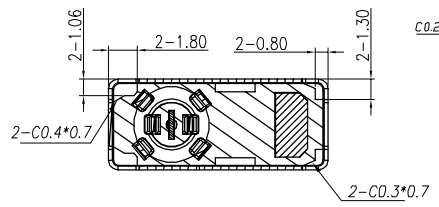
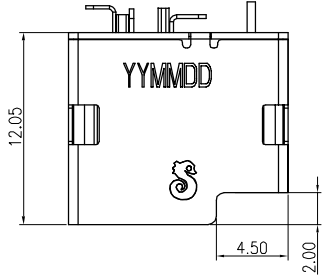


REV.	ECN NO OR DESCRIPTION	REVISED	DATE
A	PDR NO.T170831-1A	Ron	2017.12.08
B	ECN NO.S180106-R	Ron	2018.03.28

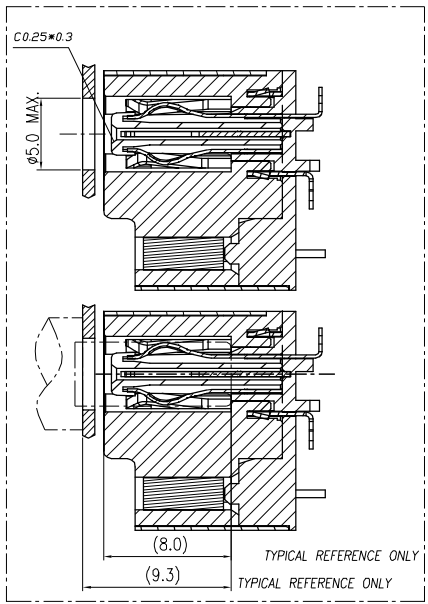
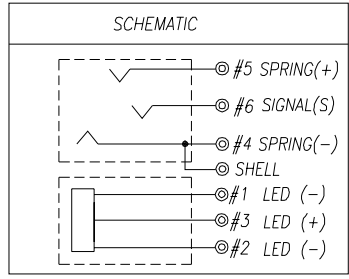
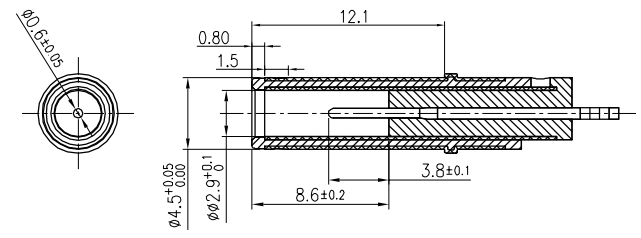
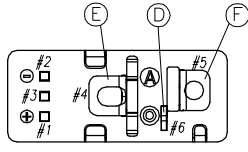
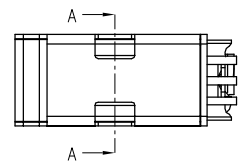
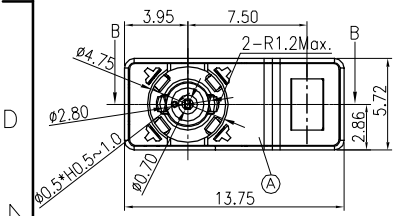
LED Soldering Condition:

Peak temperature	Dwell time
SOLDERING IRON 350 °C Max.	3 sec Max. (ONE TIME ONLY)



SPECIFICATIONS:

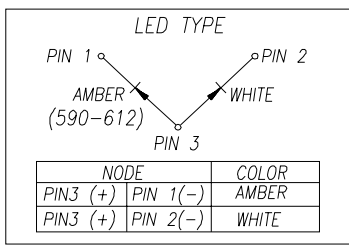
- ELECTRICAL CHARACTERISTICS:
 - 1-1. RATING: 20V 6A
 - 1-2. CONTACT RESISTANCE: 30mΩ MAX.
 - 1-3. DIELECTRIC WITHSTANDING VOLTAGE: 500V AC FOR ONE MINUTE.
 - 1-4. INSULATION RESISTANCE: 100MΩ MIN. MEASURED BY 500 VDC
- MECHANICAL CHARACTERISTICS:
 - 2-1. INSERTION FORCE: 2.5 Kgf MAX.
 - 2-2. WITHDRAWAL FORCE: INITIAL 0.8Kgf MIN. AFTER LIFE TEST: 0.6kgf MIN
- LIFE TEST: 5,000 CYCLES.
- TO CONFORM TO SINGATRON HAZARDOUS SUBSTANCE FREE SPEC.
- HALOGEN FREE PRODUCT IDENTIFICATION MARK ON JACK:
- HALOGEN FREE PRODUCT IDENTIFICATION LABEL ON PACKAGING:
- FOR HAND SOLDERING LEAD-FREE PROCESS.
- PRINTED DATE CODE "YYMMDD" ON TOP OF CONNECTOR.
(YYMMDD YY:YEAR MM:MONTH DD:DAY)
- THE PANEL'S ID MUST BE GREATER THAN THE PLUG'S OD WHICH MUST HAVE A DIFFERENCE OF LESS THAN OR EQUAL TO 0.5 mm. (AS SHOWN IN FIGURE 1.)



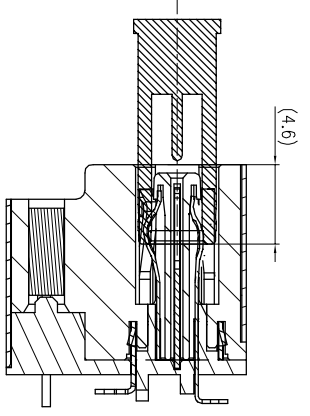
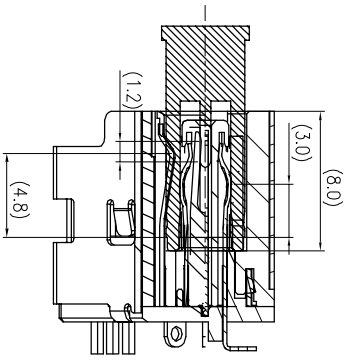
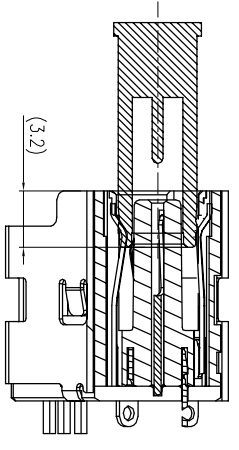
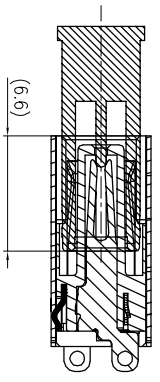
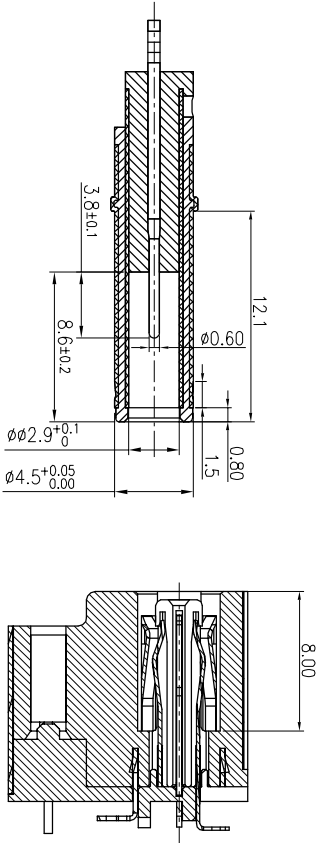
NO	DESCRIPTION	QTY	MATERIAL	PLATING & COLOR
G	LED	1	GaN/SiC	WHITE/AMBER LIGHT
F	SPRING(+)	1	COPPER ALLOY 0.20T	Ni (50u" Min.) UNDERPLATED OVER ALL . (Pd/Ni 30u" Min. & GOLD-PLATED 5u" Min.)
E	SPRING(-)	1	COPPER ALLOY 0.25T	(Au 30u" Min.) AT CONTACT AREA . AND Sn 120u" Min. ON SOLDER TAIL .
D	SIGNAL	1	COPPER ALLOY 0.30T	
C	SHELL	1	SUS 304-1/2H 0.25T	Ni 50u" Min.
B	COVER	1	THERMOPLASTIC UL 94V-0 (HALOGEN FREE)	BLACK
A	BODY	1	THERMOPLASTIC UL 94V-0 (HALOGEN FREE)	BLACK

UNLESS OTHERWISE SPECIFIED TOLERANCES: Singatron Enterprise Co., Ltd.
 信音企業股份有限公司

DECIMALS:	ANGLES:	TITLE	DC POWER JACK WITH LED		
X : ±0.5	X : ±2°	DWN Ron	PART NO. 2DC3190-000114F		
X.X : ±0.3	X.X : ±1°	CHKD sky	SCALE 4:1	UNIT: mm	
X.XX : ±0.2		APVD Lussen	SIZE: A3	SHEET: 1 OF 1	REV: B



REV.	ECN NO OR DESCRIPTION	REVISED	DATE
A	PDR NO.T170831-1A	Ron	2017.12.08
B	ECN NO.S180106-R	Ron	2018.03.28



NO	DESCRIPTION	QTY	MATERIAL	PLATING & COLOR
UNLESS OTHERWISE SPECIFIED TOLERANCES				
DECIMALS: ANGLES:				
X	:±0.5	X	:±2°	
X.X	:±0.3	X.X	:±1°	
X.XX	:±0.2			
TITLE				
DWN	Ron	PART NO. 2DC3190-000114F		
CHKD	Sky	SCALE	4:1	UNIT: mm
APVD	Lussen	SIZE: A3	SHEET: 2 OF 2	REV: B
CUSTOMER COPY				

 Singatron Enterprise Co., Ltd.
 信晉企業股份有限公司

