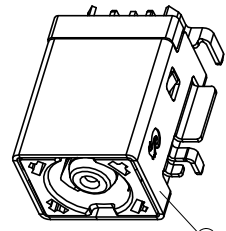
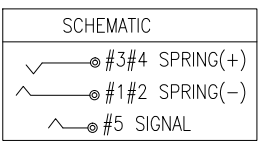
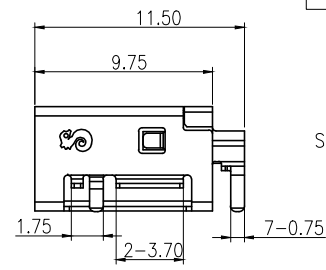
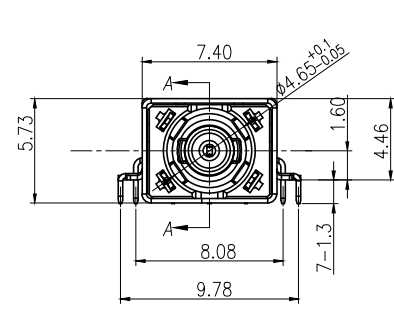
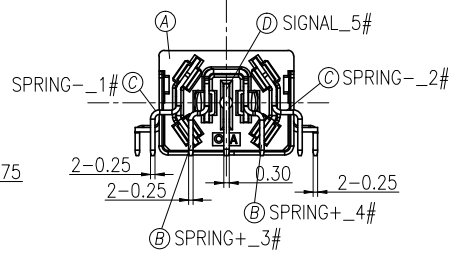
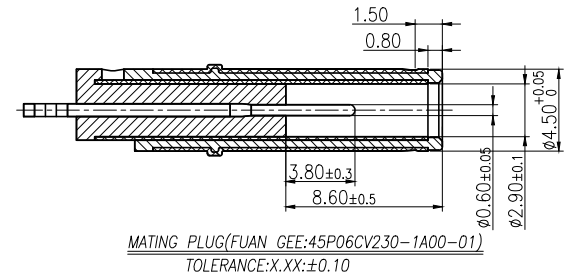
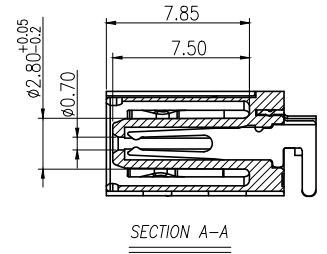
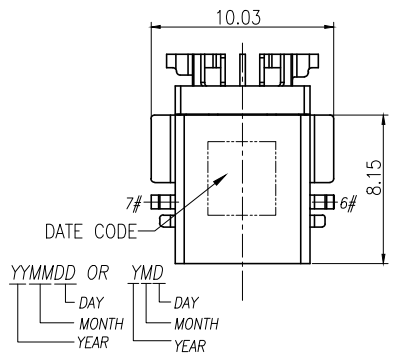
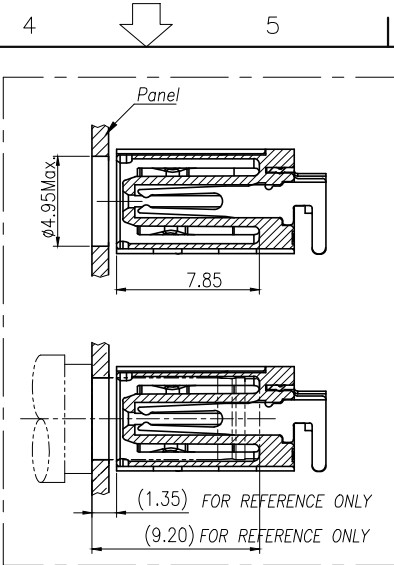
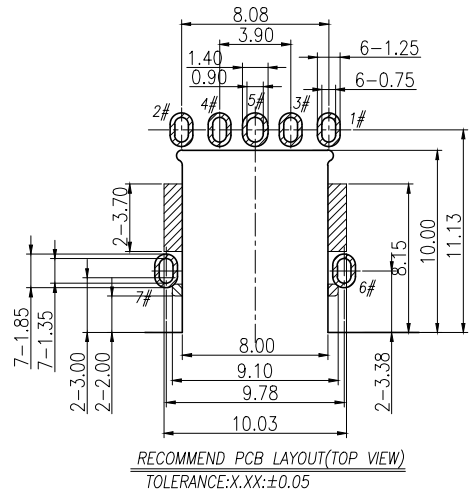


REV.	ECN NO OR DESCRIPTION	REVISED	DATE
A	PDR NO.T181221-1A	Springwu	2019.7.22
B	ECN NO.S202107-C21	Ken	2021.9.17

- SPECIFICATIONS:
- ELECTRICAL CHARACTERISTICS:
 - RATING: 20V 7A.
 - CONTACT RESISTANCE: 30mΩ MAX.
 - DIELECTRIC WITHSTANDING VOLTAGE: 500V AC FOR ONE MINUTE.
 - INSULATION RESISTANCE: 100MΩ MIN. MEASURED BY 500 VDC
 - MECHANICAL CHARACTERISTICS:
 - INSERTION FORCE: 2.5 Kgf Max.
 - WITHDRAWAL FORCE: 1.0Kgf Min.(Initial); 0.7Kgf Min.(AFTER 5000 cycles)
 - TEMPERATURE RISE CAN'T EXCEED 30C
 - LIFE TEST: 5,000 CYCLES.
 - TO CONFORM TO SINGATRON HAZARDOUS SUBSTANCE FREE SPEC.
 - HALOGEN FREE PRODUCT IDENTIFICATION MARK ON JACK:
 - HALOGEN FREE PRODUCT IDENTIFICATION LABEL ON PACKAGING:
 - FOR IR REFLOW SOLDERING LEAD-FREE PROCESS.



3D VIEW

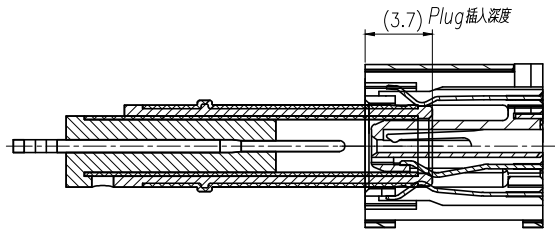


RECOMMEND PCB LAYOUT(TOP VIEW)
TOLERANCE:X.XX:±0.05

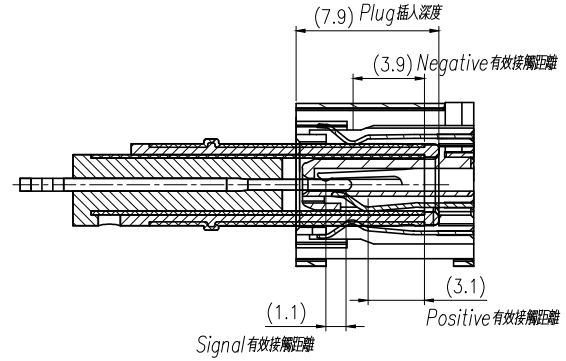
NO	DESCRIPTION	QTY	MATERIAL	PLATING & COLOR																
E	SHELL	1	SUS430 0.25T	Ni 60u"																
D	SIGNAL	1	C5210-EH 0.30T	GOLD FLASH ON CONTACT AREA; MATTE Sn 120u" ON SOLDER TAIL; ALL OVER Ni 60u"																
C	SPRING-	2	C5210-EH 0.25T																	
B	SPRING+	1	C7035-TM04 0.25T																	
A	BODY	1	LCP+30%GF (HALOGEN FREE)UL 94V-0	BLACK																
UNLESS OTHERWISE SPECIFIED TOLERANCES		Singatron Enterprise Co., Ltd. 信音企業股份有限公司																		
DECIMALS: X :±0.5 X.X :±0.3 X.XX :±0.2		ANGLES: X :±2° X.X :±1°		<table border="1"> <tr> <td>TITLE</td> <td colspan="3">DC POWER JACK</td> </tr> <tr> <td>DWN</td> <td>ken</td> <td colspan="2">PART NO. 2DC3199-000111F</td> </tr> <tr> <td>CHKD</td> <td>Lussen</td> <td>SCALE 4:1</td> <td>UNIT: mm</td> </tr> <tr> <td>APVD</td> <td>Liao</td> <td>SIZE: A3</td> <td>SHEET:1 OF 2</td> </tr> </table>	TITLE	DC POWER JACK			DWN	ken	PART NO. 2DC3199-000111F		CHKD	Lussen	SCALE 4:1	UNIT: mm	APVD	Liao	SIZE: A3	SHEET:1 OF 2
TITLE	DC POWER JACK																			
DWN	ken	PART NO. 2DC3199-000111F																		
CHKD	Lussen	SCALE 4:1	UNIT: mm																	
APVD	Liao	SIZE: A3	SHEET:1 OF 2																	
				REV:B																
CUSTMER COPY																				

REV.	ECN NO OR DESCRIPTION	REVISED	DATE
A	PDR NO.T181221-1A	Springwu	2019.7.22
B	ECN NO.S202107-C21	Ken	2021.9.17

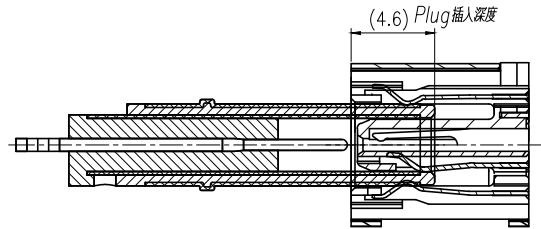
1. NEGATIVE CONTACT FIRST



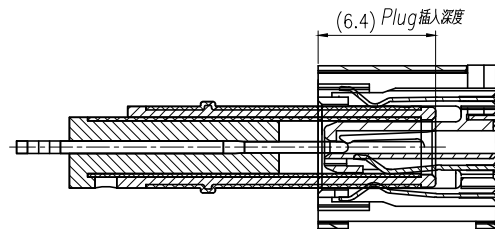
4. FULL INSERTION




2. POSITIVE CONTACT



3. SIGNAL CONTACT



ITEM	DESCRIPTION	QTY	MATERIAL	PLATING & COLOR
UNLESS OTHERWISE SPECIFIED TOLERANCES		 Singatron Enterprise Co., Ltd. 信音企業股份有限公司		
DECIMALS: X :±0.5 X.X :±0.3 X.XX :±0.15		TITLE DC POWER JACK_MATING DRAWING DWN ken PART NO. 2DC3199-000111F CHKD Lussen SCALE 4:1 UNIT: mm APVD Liao SIZE: A3 SHEET:2 OF 2 REV:B		
CUSTOMER COPY				