

| | | | |
|------|-----------------------|----------|------------|
| REV. | ECN NO OR DESCRIPTION | REVISED | DATE |
| A | PDR NO.T190702-4A | Springwu | 2019.10.16 |

SPECIFICATIONS:

1. ELECTRICAL CHARACTERISTICS:

- 1-1. RATING: 20V/10.26A.
- 1-2. CONTACT RESISTANCE: 30mΩ MAX.
- 1-3. DIELECTRIC WITHSTANDING VOLTAGE: 500V AC FOR ONE MINUTE.
- 1-4. INSULATION RESISTANCE: 100MΩ/MIN. MEASURED BY 500 VDC

2. MECHANICAL CHARACTERISTICS:

- 2-1. INSERTION FORCE: 2.5 Kgf Max.
- 2-2. WITHDRAWAL FORCE: 1.0Kgf Min.(Initial);
0.6Kgf Min.(AFTER 5000 cycles)

3. TEMPERATURE RISE CAN'T EXCEED 30C

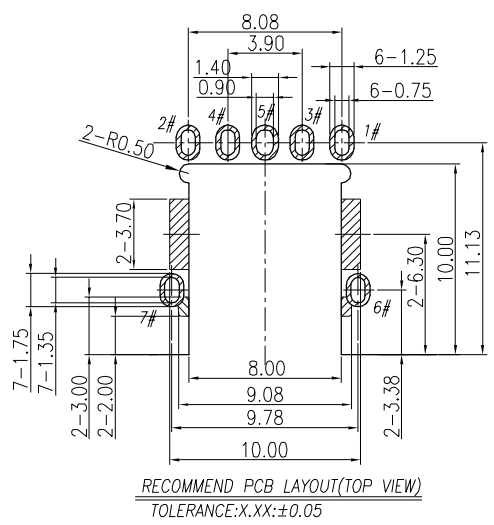
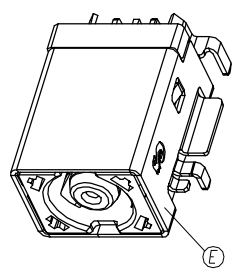
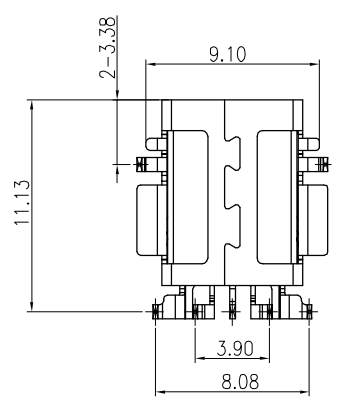
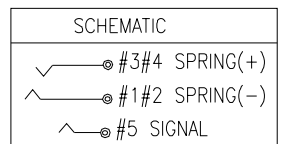
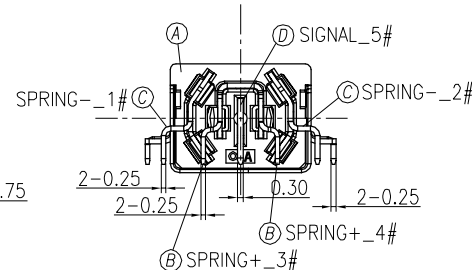
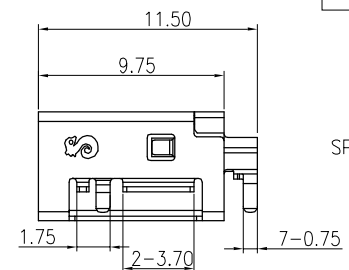
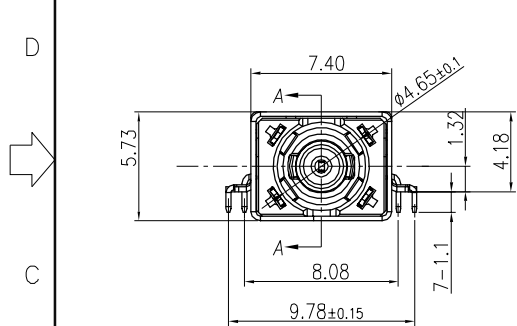
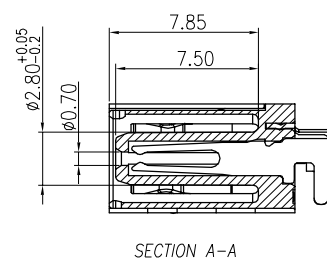
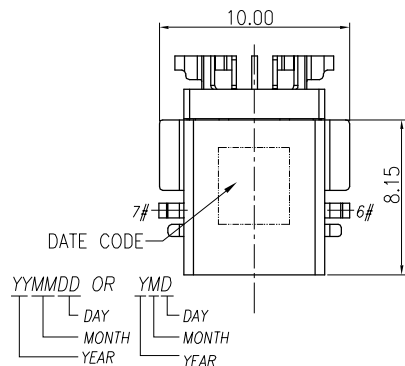
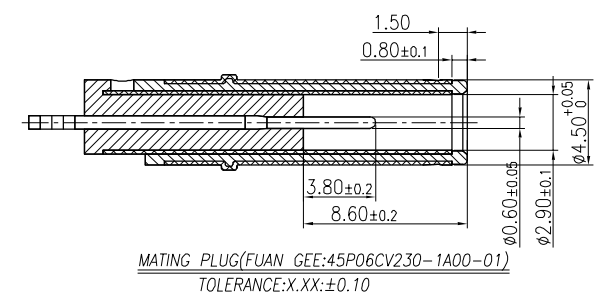
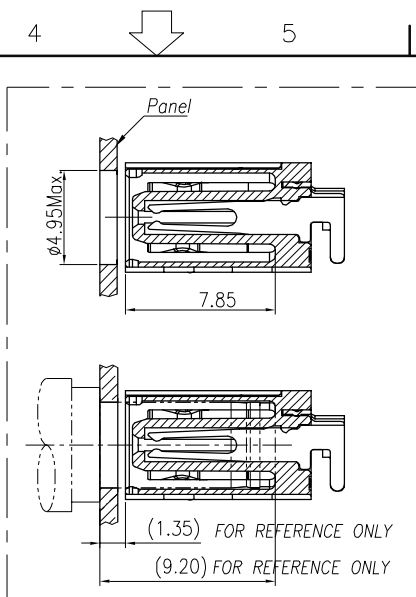
4. LIFE TEST: 5,000 CYCLES.

5. TO CONFORM TO SINGATRON HAZARDOUS SUBSTANCE FREE SPEC.

6. HALOGEN FREE PRODUCT IDENTIFICATION MARK ON JACK: Ⓢ

7. HALOGEN FREE PRODUCT IDENTIFICATION LABEL ON PACKAGING: Ⓢ

8. FOR IR REFLOW SOLDERING LEAD-FREE PROCESS.



| E | SHELL | 1 | STAINLESS 0.25T | Ni 60u" |
|----|-------------|-----|-------------------------------------|--|
| D | SIGNAL | 1 | COPPER ALLOY 0.30T | Au30u" ON CONTACT AREA; MATTE Sn 100u" ON SOLDER TAIL; ALL OVER Ni 60u". |
| C | SPRING- | 2 | COPPER ALLOY 0.25T | |
| B | SPRING+ | 1 | COPPER ALLOY 0.25T | |
| A | BODY | 1 | LCP+30%GF (HALOGEN FREE)UL 94V-0 | BLACK |
| NO | DESCRIPTION | QTY | MATERIAL | PLATING & COLOR |

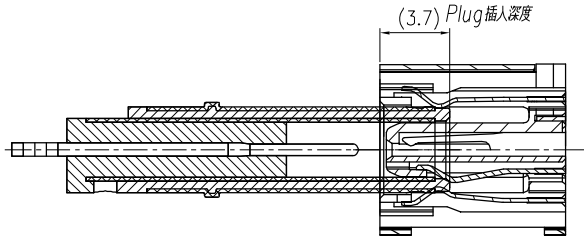
UNLESS OTHERWISE SPECIFIED TOLERANCES

Singatron Enterprise Co., Ltd.
信音企業股份有限公司

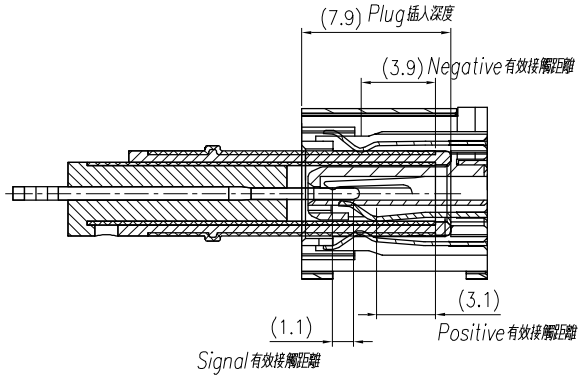
| | | | | | |
|--------------|----------|-------|---------------|--------------------------|---------------|
| DECIMALS: | ANGLES: | TITLE | DC POWER JACK | | |
| X :±0.5 | X :±2° | DWN | Springwu | PART NO. 2DC3199-001111F | |
| X.X :±0.3 | X.X :±1° | CHKD | Sky | SCALE 4:1 | UNIT: mm |
| X.XX :±0.2 | | APVD | Lussen | SIZE: A3 | SHEET: 1 OF 2 |
| CUSTMER COPY | | | | | |

| | | | |
|------|-----------------------|----------|------------|
| REV. | ECN NO OR DESCRIPTION | REVISED | DATE |
| A | PDR NO.T190702-4A | Springwu | 2019.10.16 |

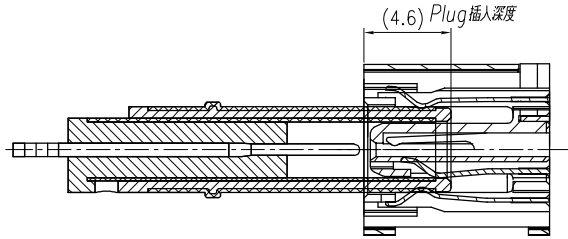
1. NEGATIVE CONTACT FIRST



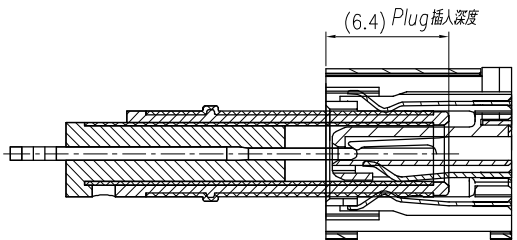
4. FULL INSERTION



2. POSITIVE CONTACT



3. SIGNAL CONTACT



| ITEM | DESCRIPTION | QTY | MATERIAL | PLATING & COLOR |
|---------------------------------------|-------------|--------------|--|-----------------|
| UNLESS OTHERWISE SPECIFIED TOLERANCES | | | Singatron Enterprise Co., Ltd. 信音企業股份有限公司 | |
| DECIMALS: | ANGLES: | TITLE | DC POWER JACK_MATING DRAWING | |
| X :±0.5 | X :±2° | DWN Springwu | PART NO. 2DC3199-001111F | |
| X.X :±0.3 | X.X :±1° | CHKD Sky | SCALE 4:1 | UNIT: mm |
| X.XX :±0.15 | | APVD Lussen | SIZE: A3 | SHEET:2 OF 2 |
| CUSTOMER COPY | | | | |
| REV:A | | | | |