

REV.	ECN NO OR DESCRIPTION	REVISED	DATE
A	PDR NO.:T210202-2A	Jie	2021.8.31
B	ECN NO.:S202111-C08	Jie	2022.02.09

SPECIFICATIONS:

1. ELECTRICAL CHARACTERISTICS:

- 1-1. RATING: 20V 12A.
- 1-2. CONTACT RESISTANCE: 30mΩ MAX.
- 1-3. DIELECTRIC WITHSTANDING VOLTAGE: 500V AC FOR ONE MINUTE.
- 1-4. INSULATION RESISTANCE: 100MΩ MIN. MEASURED BY 500 VDC

2. MECHANICAL CHARACTERISTICS:

- 2-1. INSERTION FORCE: 2.5 Kgf MAX.
- 2-2. WITHDRAWAL FORCE: 1.0Kgf MIN.(INITIAL);
0.6Kgf MIN.(AFTER 5000 CYCLES).

3. TEMPERATURE RISE CAN'T EXCEED 30°C.

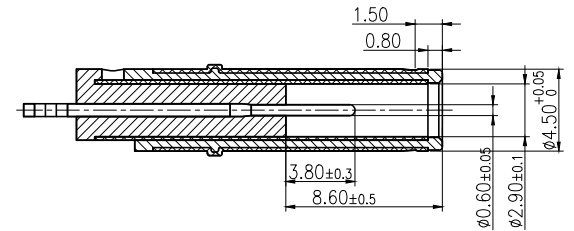
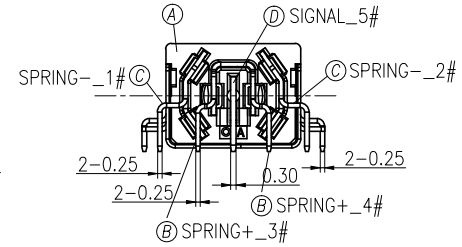
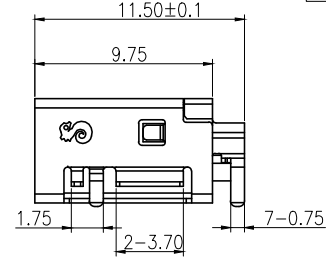
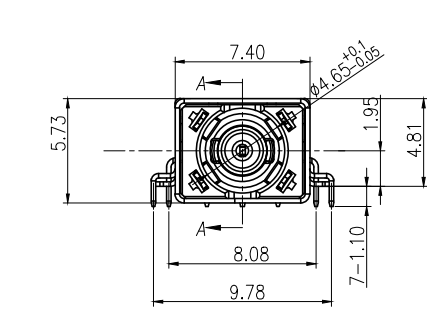
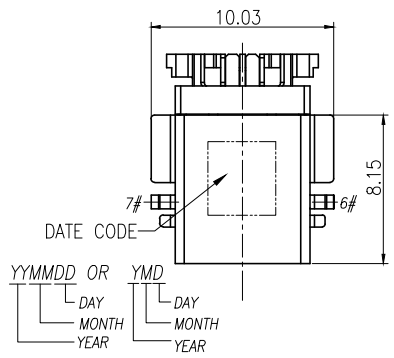
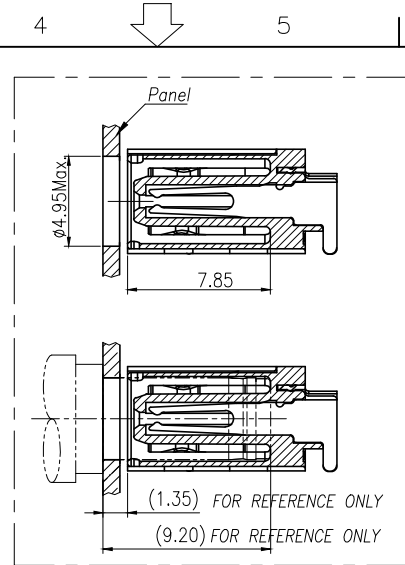
4. LIFE TEST: 5,000 CYCLES.

5. TO CONFORM TO SINGATRON HAZARDOUS SUBSTANCE FREE SPEC.

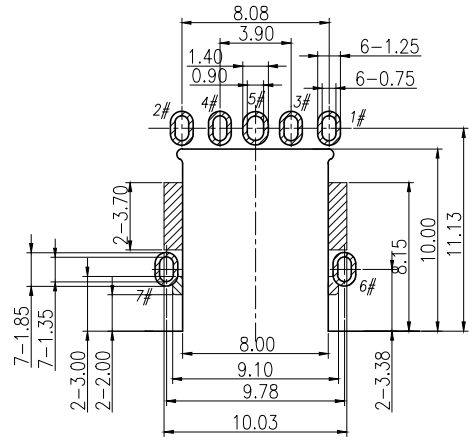
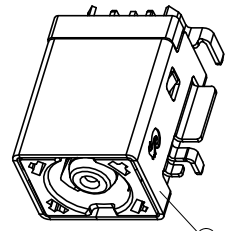
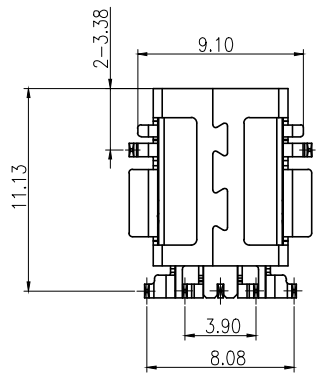
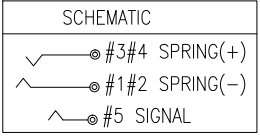
6. HALOGEN FREE PRODUCT IDENTIFICATION MARK ON JACK:

7. HALOGEN FREE PRODUCT IDENTIFICATION LABEL ON PACKAGING:

8. FOR REFLOW SOLDERING LEAD-FREE PROCESS.



MATING PLUG(FUAN GEE:45P06CV230-1A00-01)
TOLERANCE:X.XX:±0.10



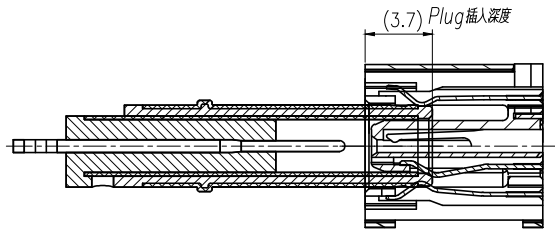
RECOMMEND PCB LAYOUT(TOP VIEW)
TOLERANCE:X.XX:±0.05

NO	DESCRIPTION	QTY	MATERIAL	PLATING & COLOR
E	SHELL	1	SUS304 0.25T	Ni 60u"
D	SIGNAL	1	C5210-EH 0.30T	(Pd/Ni 30u" MIN. & GOLD-PLATED 5u" MIN. OR (Au 30u") ON CONTACT AREA;
C	SPRING-	2	C7035-TM04 0.25T	MATTE Sn 120u" ON SOLDER TAIL;
B	SPRING+	1	C7035-TM04 0.25T	ALL OVER Ni 50u"
A	BODY	1	LCP+30%GF (HALOGEN FREE)UL 94V-0	BLACK

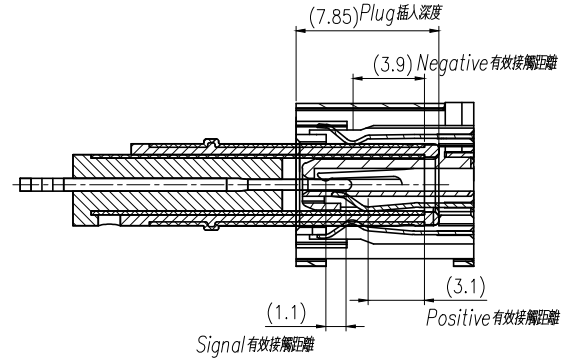
UNLESS OTHERWISE SPECIFIED TOLERANCES		Singatron Enterprise Co., Ltd. 信音企業股份有限公司	
DECIMALS:		TITLE	
X :±0.5	X :±2"	DC POWER JACK	
X.X :±0.3	X.X :±1"	DWN	Jie PART NO.2DC3199-002111F
X.XX :±0.2		CHKD	Lussen SCALE 4:1 UNIT: mm
		APVD	Liao SIZE: A3 SHEET:1 OF 2 REV:B
CUSTMER COPY			

REV.	ECN NO OR DESCRIPTION	REVISED	DATE
A	PDR NO.:T210202-2A	Jie	2021.8.31
B	ECN NO.:S202111-C08	Jie	2022.02.09

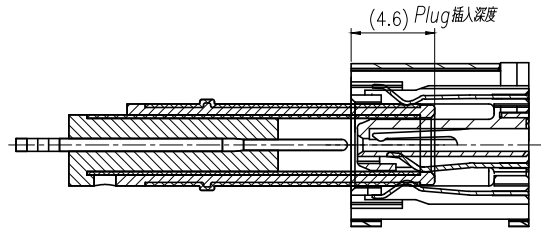
1. NEGATIVE CONTACT FIRST



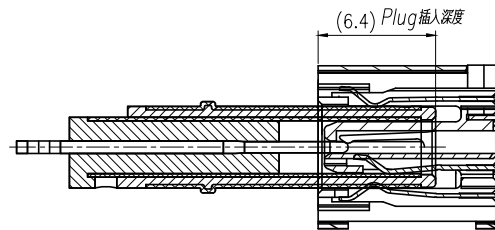
4. FULL INSERTION




2. POSITIVE CONTACT



3. SIGNAL CONTACT



ITEM	DESCRIPTION	QTY	MATERIAL	PLATING & COLOR
UNLESS OTHERWISE SPECIFIED TOLERANCES		 Singatron Enterprise Co., Ltd. 信音企業股份有限公司		
DECIMALS: X :±0.5 X.X :±0.3 X.XX :±0.15		TITLE DC POWER JACK_MATING DRAWING		
ANGLES: X :±2° X.X :±1°		DWN	Jie	PART NO. 2DC3199-002111F
		CHKD	Lussen	SCALE 4:1 UNIT: mm
		APVD	Liao	SIZE: A3 SHEET:2 OF 2 REV:B
CUSTOMER COPY				