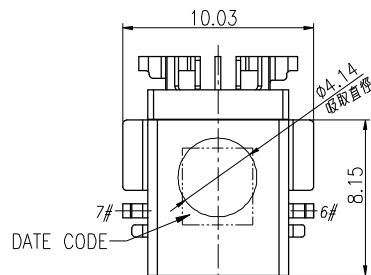


REV.	ECN NO OR DESCRIPTION	REVISED	DATE
A	PDR NO.S230522-2A	Springwu	2024.01.24

SPECIFICATIONS:

- ELECTRICAL CHARACTERISTICS:
  - RATING: 20V 12A.
  - CONTACT RESISTANCE: 30mΩMAX.
  - DIELECTRIC WITHSTANDING VOLTAGE: 500V AC FOR ONE MINUTE.
  - INSULATION RESISTANCE: 100ΩMIN. MEASURED BY 500 VDC
- MECHANICAL CHARACTERISTICS:
  - INSERTION FORCE: 2.5 Kgf Max.
  - WITHDRAWAL FORCE: 1.0Kgf Min.(Initial); 0.6Kgf Min.(AFTER 5000 cycles)
- TEMPERATURE RISE CAN'T EXCEED 30C°.
- LIFE TEST: 5,000 CYCLES.
- TO CONFORM TO SINGATRON HAZARDOUS SUBSTANCE FREE SPEC.
- HALOGEN FREE PRODUCT IDENTIFICATION MARK ON JACK:
- HALOGEN FREE PRODUCT IDENTIFICATION LABEL ON PACKAGING:
- FOR IR REFLOW SOLDERING LEAD-FREE PROCESS.
- DIMENSIONS MARKED ▲ SHOULD 100% PCB GAUGE INSPECT.
- DIMENSIONS MARKED △ SHOULD CPK>1.33.
- DIMENSIONS MARKED ★ SHOULD SIP INSPECT BY IPQC.
- DIMENSIONS MARKED (SD) SHOULD CHECKED BY HQ IQC.

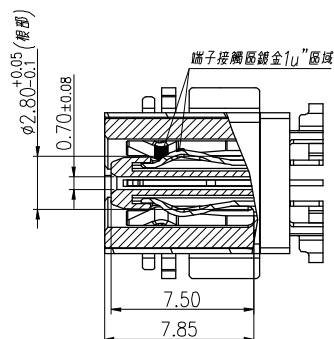


DATE CODE

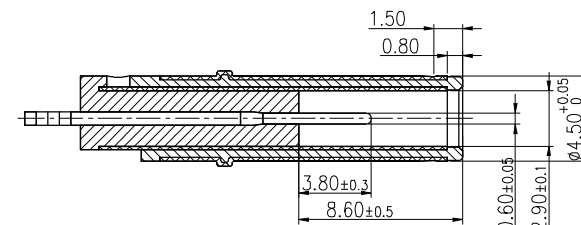
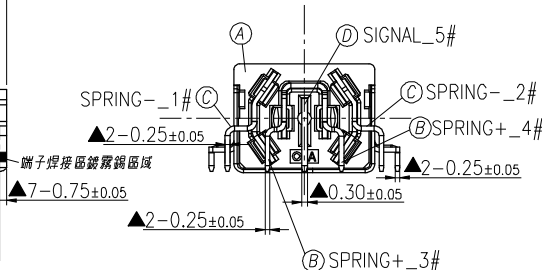
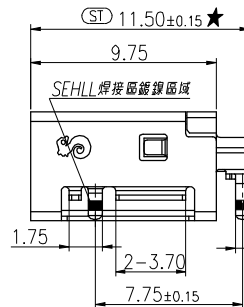
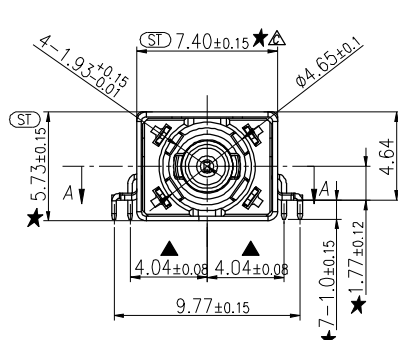
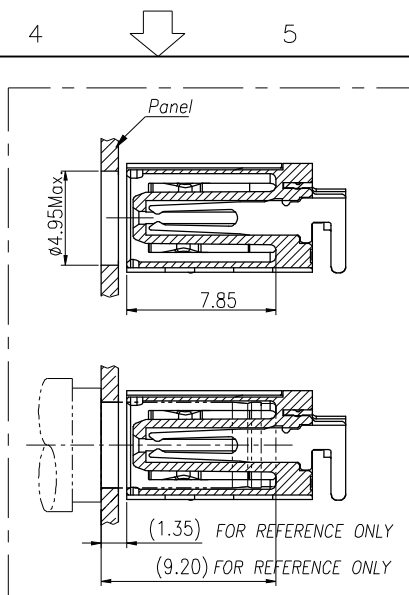
YYMMDD OR YMD

DAY(01,02,03...) MONTH(01,02,03...) YEAR(23,24,25...)

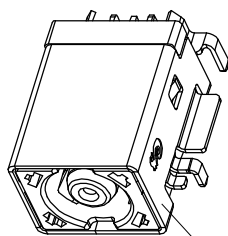
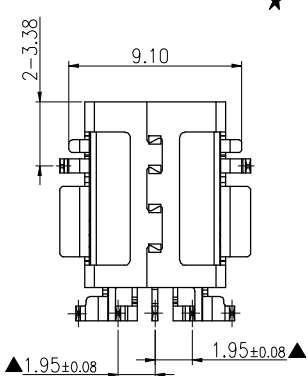
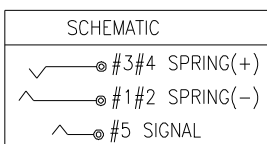
DAY(1,2,3...A~Z) MONTH(1,2...A,B,C) YEAR(A=10,B=11,C=12... Q=23,R=24,S=25 T=26,U=27,V=28...)



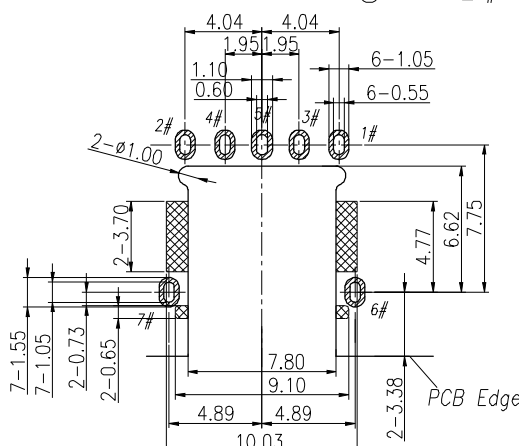
SECTION A-A



MATING PLUG(FUAN GEE:45P06CV230-1A00-01)  
TOLERANCE:X.XX:±0.10



3D VIEW



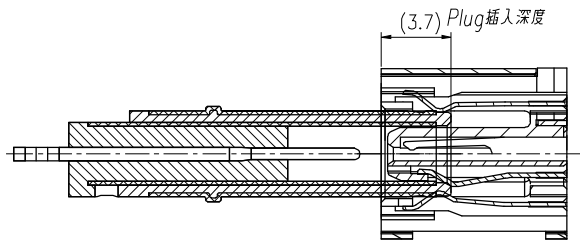
RECOMMEND PCB LAYOUT(TOP VIEW)  
TOLERANCE:X.XX:±0.05

▨ PAD area  
▩ No Trace area

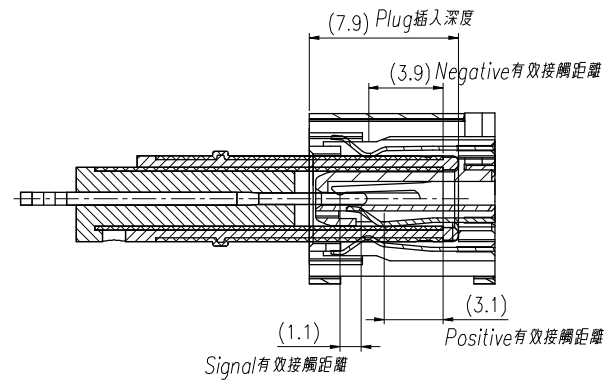
E	SHELL	1	SUS430 0.25T	鍍銀50u" min.
D	SIGNAL	1	C5210-EH 0.30T	
C	SPRING-	2	C7035-TM04 0.25T	接觸區鍍金1u"; 焊接區鍍銀120u"; 底層鍍銀50u" min.
B	SPRING+	1	C7035-TM04 0.25T	
A	BODY	1	LCP E130I (HALOGEN FREE)UL 94V-0	BLACK
NO	DESCRIPTION	QTY	MATERIAL	PLATING & COLOR
UNLESS OTHERWISE SPECIFIED TOLERANCES			Singatron Enterprise Co., Ltd. 信音企業股份有限公司	
DECIMALS:		TITLE		
X	:±0.5	DC POWER JACK		
X.X	:±0.3	DWN	Springwu	<b>PART NO. 2DC3199-005111F</b>
X.XX	:±0.2	CHKD	Boye	SCALE 4:1 UNIT: mm
		APVD	Liao	SIZE: A3 SHEET:1 OF 2 REV:A
<b>CUSTOMER COPY</b>				

REV.	ECN NO OR DESCRIPTION	REVISED	DATE
A	PDR NO.S230522-2A	Springwu	2024.01.24

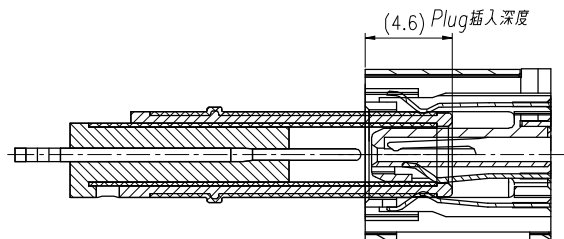
1. NEGATIVE CONTACT FIRST



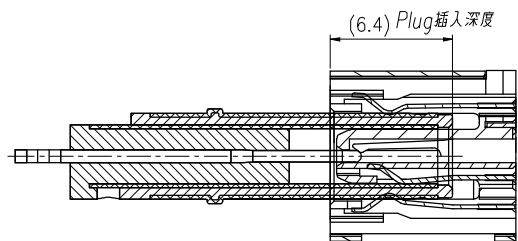
4. FULL INSERTION





2. POSITIVE CONTACT



3. SIGNAL CONTACT



ITEM	DESCRIPTION	QTY	MATERIAL	PLATING & COLOR				
UNLESS OTHERWISE SPECIFIED TOLERANCES			 Singatron Enterprise Co., Ltd. 信音企業股份有限公司					
DECIMALS: ANGLES:				TITLE	DC POWER JACK_MATING DRAWING			
X	:±0.5	X	:±2°	DWN	Springwu	<b>PART NO. 2DC3199-005111F</b>		
X.X	:±0.3	X.X	:±1°	CHKD	Boye	SCALE 4:1	UNIT: mm	
X.XX	:±0.15			APVD	Liao	SIZE: A3	SHEET: 2 OF 2	<b>REV:A</b>
<b>CUSTOMER COPY</b>								