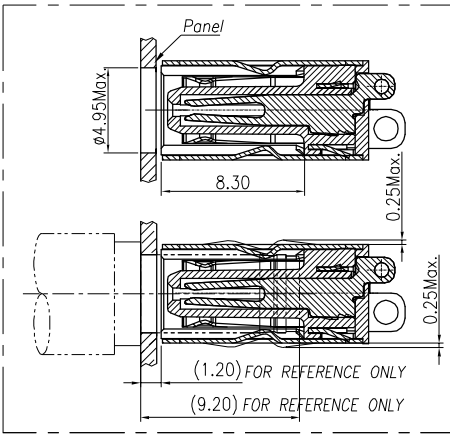
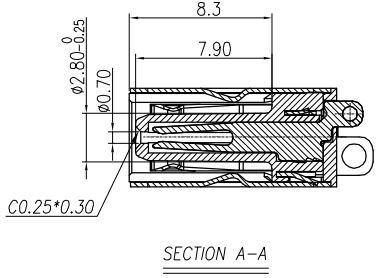
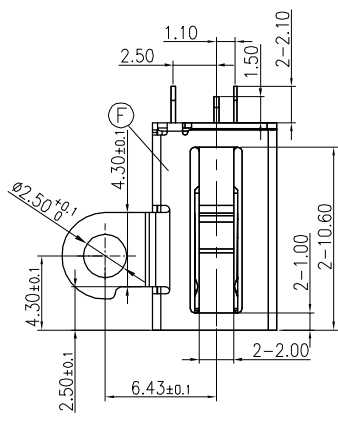
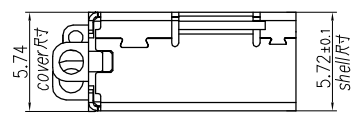
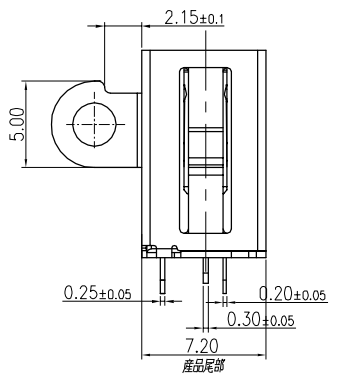
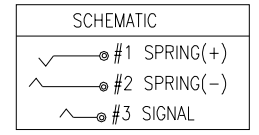
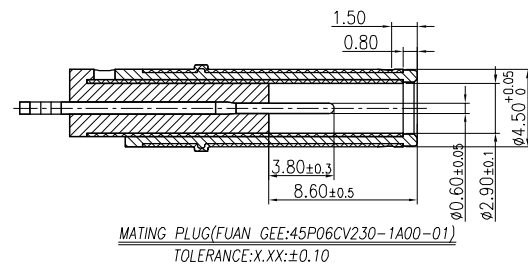
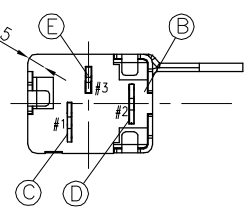
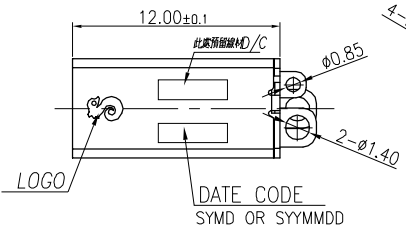
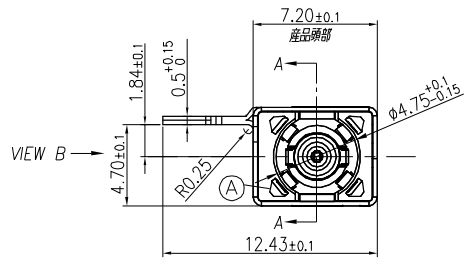


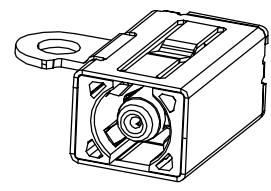
REV.	ECN NO OR DESCRIPTION	REVISED	DATE
A	PDR NO.T190430-4A	Qizhen	2020.04.30



- SPECIFICATIONS:
- ELECTRICAL CHARACTERISTICS:
 - RATING: 20V 7A.
 - CONTACT RESISTANCE: 30mΩ MAX.
 - DIELECTRIC WITHSTANDING VOLTAGE: 500V AC FOR ONE MINUTE.
 - INSULATION RESISTANCE: 100MΩ MIN. MEASURED BY 500 VDC
 - MECHANICAL CHARACTERISTICS:
 - INSERTION FORCE: 2.5 Kgf MAX.
 - WITHDRAWAL FORCE: 0.8 MIN.(Initial); 0.6Kgf.(AFTER 5000 cycles)
 - TEMPERATURE RISE CAN'T EXCEED 30C
 - LIFE TEST: 5,000 CYCLES.
 - WEIGHT: 0.904g
 - TO CONFORM TO SINGATRON HAZARDOUS SUBSTANCE FREE SPEC.
 - GREEN PRODUCT IDENTIFICATION MARK ON JACK:
 - GREEN PRODUCT IDENTIFICATION LABEL ON PACKAGING:
 - FOR HAND SOLDERING LEAD-FREE PROCESS.



VIEW B



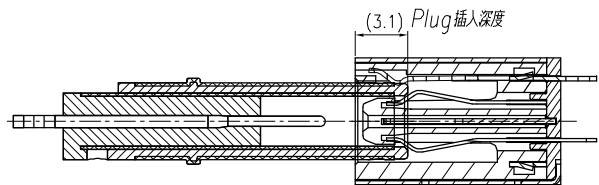
3D VIEW

NO	DESCRIPTION	QTY	MATERIAL	PLATING & COLOR
F	SHELL	1	STAINLESS STEEL 0.25T	Ni 60u"
E	SIGNAL	1	COPPER ALLOY 0.30T	Au 5u" OVER Pd/Ni 25u" OR Au30u"
D	NEGATIVE	1	COPPER ALLOY 0.25T	ON CONTACT AREA
C	POSITIVE	1	COPPER ALLOY 0.20T	MATTE Sn 120u" ON SOLDER
B	COVER	1	HIGH TEMP.THERMOPLASTIC (HALOGEN FREE)UL 94V-0	BLACK
A	BODY	1	THERMOPLASTIC (HALOGEN FREE)UL 94V-0	BLACK

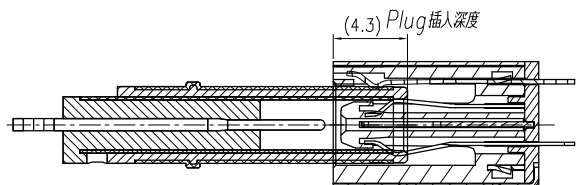
UNLESS OTHERWISE SPECIFIED TOLERANCES		Singatron Enterprise Co., Ltd. 信音企業股份有限公司	
DECIMALS:	ANGLES:	TITLE DC POWER JACK	
X :±0.5	X :±2°	DWN	Qizhen PART NO. 2DC3205-000114F
X.X :±0.3	X.X :±1°	CHKD	Spring SCALE 4:1 UNIT: mm
X.XX :±0.2		APVD	Lussen SIZE: A3 SHEET:1 OF 2 REV:A
CUSTMER COPY			

REV.	ECN NO OR DESCRIPTION	REVISED	DATE
A	PDR NO.T190430-4A	Qizhen	2020.04.30

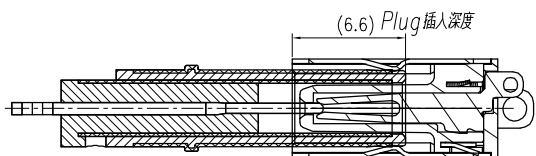
1. NEGATIVE CONTACT FIRST



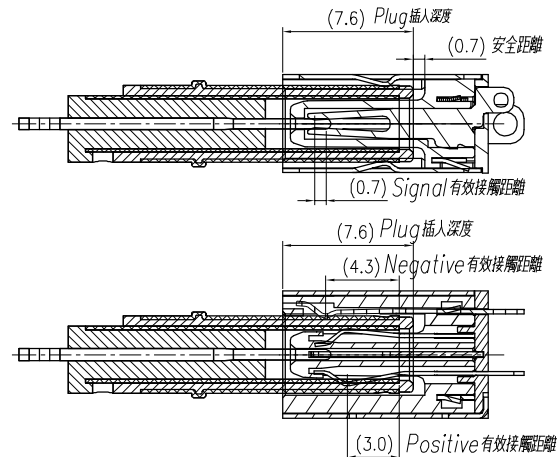
2. POSITIVE CONTACT



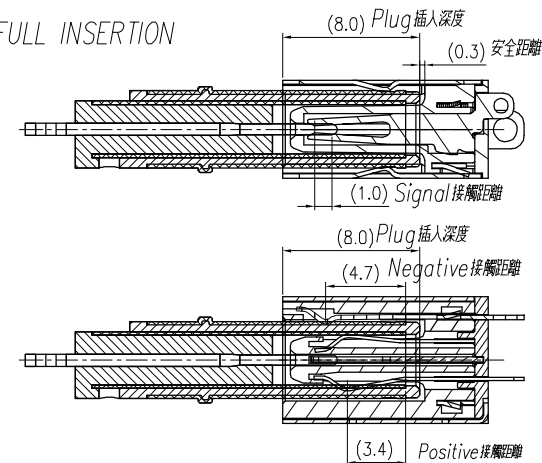
3. SIGNAL CONTACT



4. LOCK POSITION



5. FULL INSERTION



ITEM	DESCRIPTION	QTY	MATERIAL	PLATING & COLOR
UNLESS OTHERWISE SPECIFIED TOLERANCES			Singatron Enterprise Co., Ltd. 信音企業股份有限公司	
DECIMALS:	ANGLES:	TITLE	DC POWER JACK_MATING DRAWING	
X : ±0.5	X : ±2°	DWN	Qizhen	PART NO. 2DC3205-000114F
X.X : ±0.3	X.X : ±1°	CHKD	Spring	SCALE 4:1 UNIT: mm
X.XX : ±0.15		APVD	Lussen	SIZE: A3 SHEET: 2 OF 2 REV:A
CUSTOMER COPY				