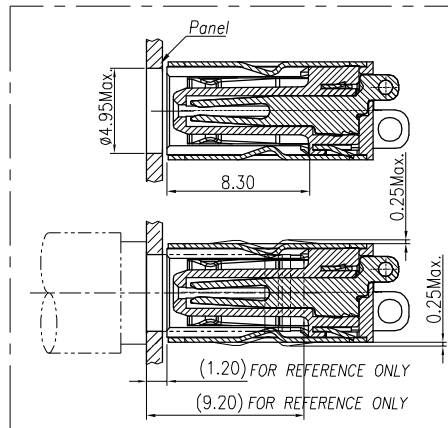
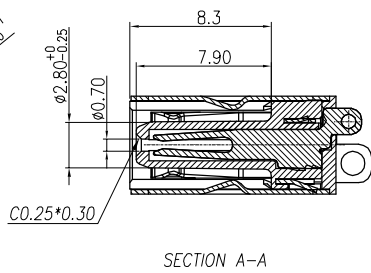
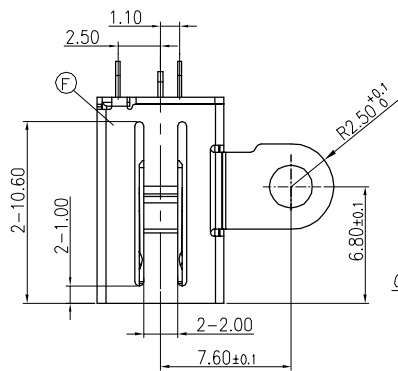


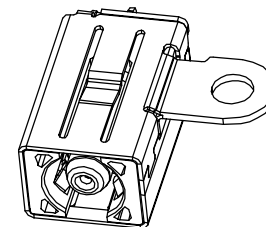
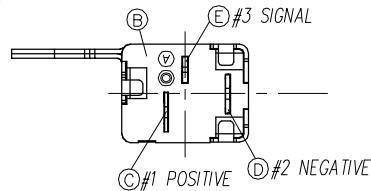
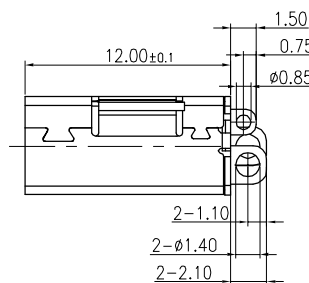
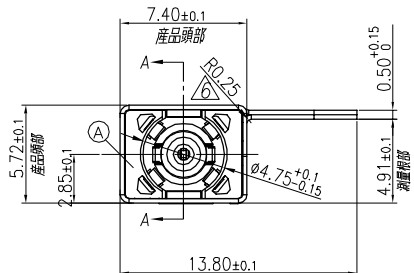
REV.	ECN NO OR DESCRIPTION	REVISED	DATE
A	PDR NO.T190513-2A	Springwu	2020.4.23



SPECIFICATIONS:

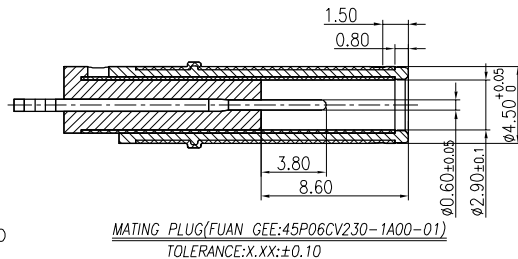
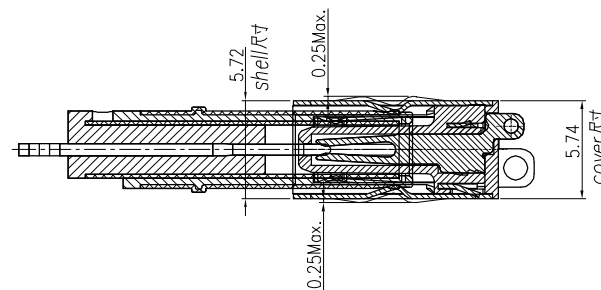
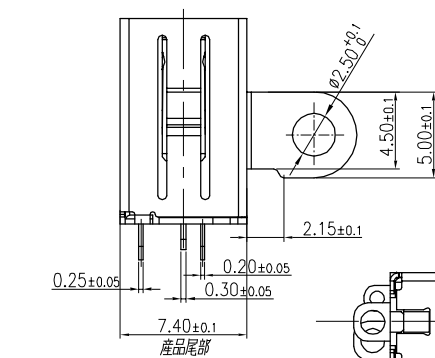
- ELECTRICAL CHARACTERISTICS:
  - RATING: 20V 7A.
  - CONTACT RESISTANCE: 30mΩ MAX.
  - DIELECTRIC WITHSTANDING VOLTAGE: 500V AC FOR ONE MINUTE.
  - INSULATION RESISTANCE: 100MΩ MIN. MEASURED BY 500 VDC
- MECHANICAL CHARACTERISTICS:
  - INSERTION FORCE: 2.5 Kgf MAX.
  - WITHDRAWAL FORCE: 0.8Kgf MIN.(Initial); 0.6Kgf MIN.(AFTER 5000 cycles)
- TEMPERATURE RISE CAN'T EXCEED 30C°.
- LIFE TEST: 5,000 CYCLES.
- WEIGHT: 0.904g
- TO CONFORM TO SINGATRON HAZARDOUS SUBSTANCE FREE SPEC.
- GREEN PRODUCT IDENTIFICATION MARK ON JACK:
- GREEN PRODUCT IDENTIFICATION LABEL ON PACKAGING:
- FOR HAND SOLDERING LEAD-FREE PROCESS.
- PRINTED DATE CODE "YYMMDD" ON TOP OF CONNECTOR.

YYMMDD  
 DD: DAY  
 MM: MONTH  
 YY: YEAR



3D VIEW

SCHEMATIC	
	#1 SPRING(+)
	#2 SPRING(-)
	#3 SIGNAL



DATE CODE  
 SYMD OR SYMMDD

NO	DESCRIPTION	QTY	MATERIAL	PLATING & COLOR
F	SHELL	1	STAINLESS STEEL 0.25T	Ni 60u"
E	SIGNAL	1	COPPER ALLOY 0.30T	Au5u" OVER Pd/Ni 25u" OR Au30u" ON CONTACT AREA;
D	NEGATIVE	1	COPPER ALLOY 0.25T	MATTE Sn 120u" ON SOLDER;
C	POSITIVE	1	COPPER ALLOY 0.20T	ALL OVER Ni 60u".
B	COVER	1	HIGH TEMP.THERMOPLASTIC (HALOGEN FREE)UL 94V-0	BLACK
A	BODY	1	THERMOPLASTIC (HALOGEN FREE)UL 94V-0	BLACK

UNLESS OTHERWISE SPECIFIED TOLERANCES

Singatron Enterprise Co., Ltd.  
 信音企業股份有限公司

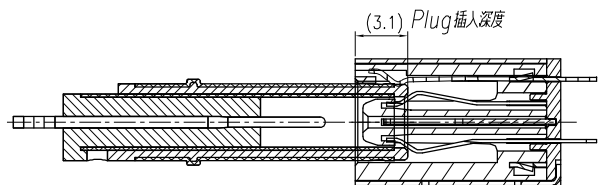
DECIMALS: ANGLES:  
 X :±0.5 X :±2°  
 X.X :±0.3 X.X :±1°  
 X.XX :±0.2

TITLE	DC POWER JACK		
DWN	Springwu	PART NO. 2DC3205-001114F	
CHKD	Sky	SCALE 4:1	UNIT: mm
APVD	Lussen	SIZE: A3	SHEET: 1 OF 2

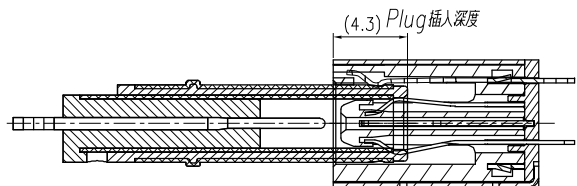
CUSTOMER COPY

REV.	ECN NO OR DESCRIPTION	REVISED	DATE
A	PDR NO.T190513-2A	Springwu	2020.4.23

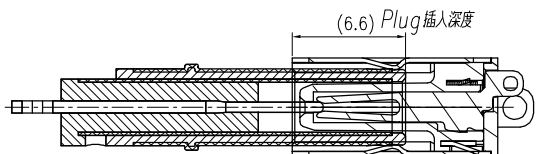
1. NEGATIVE CONTACT FIRST



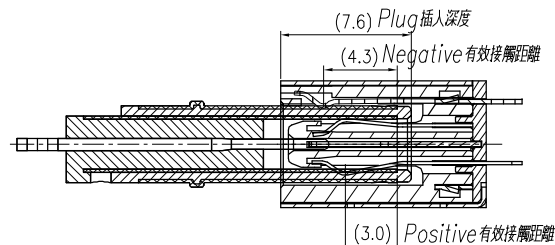
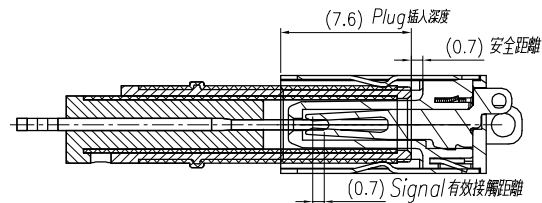
2. POSITIVE CONTACT



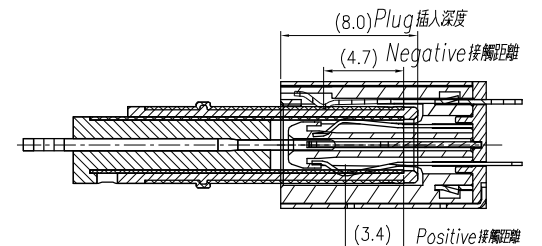
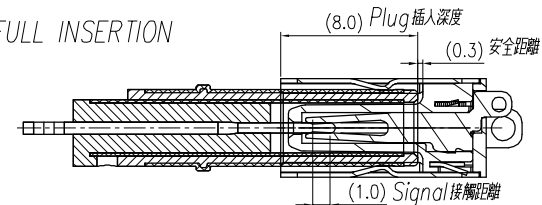
3. SIGNAL CONTACT



4. LOCK POSITION



5. FULL INSERTION



ITEM	DESCRIPTION	QTY	MATERIAL	PLATING & COLOR
UNLESS OTHERWISE SPECIFIED TOLERANCES			Singatron Enterprise Co., Ltd. 信音企業股份有限公司	
DECIMALS:	ANGLES:	TITLE	DC POWER JACK_MATING DRAWING	
X : ±0.5	X : ±2°	DWN Springwu	<b>PART NO. 2DC3205-00114F</b>	
X.X : ±0.3	X.X : ±1°	CHKD Sky	SCALE 4:1	UNIT: mm
X.XX : ±0.15		APVD Lussen	SIZE: A3	SHEET: 2 OF 2
<b>CUSTOMER COPY</b>				
<b>REV:A</b>				