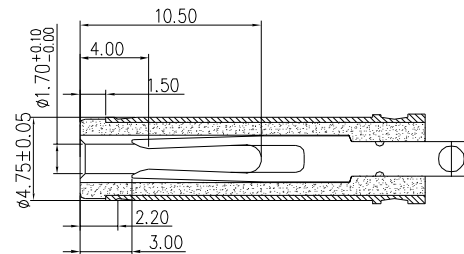


REV.	ECN NO OR DESCRIPTION	REVISED	DATE
A	PDR NO. T190710-1A	Qizhen	2019.11.12

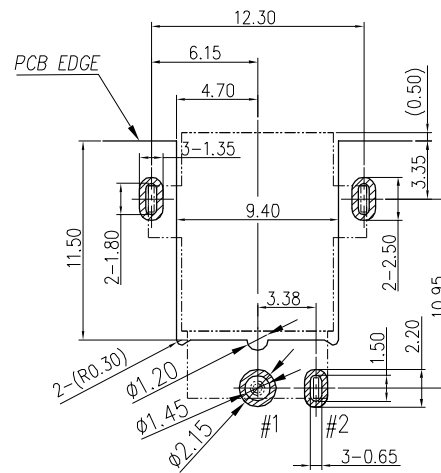
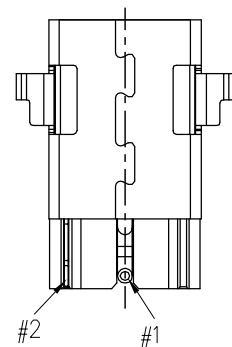
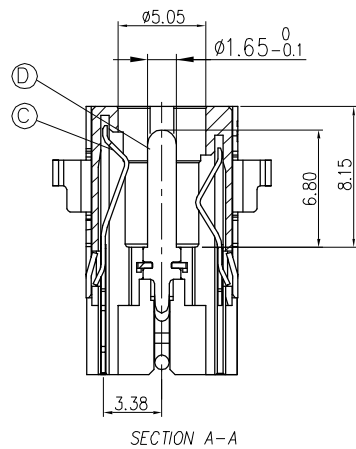
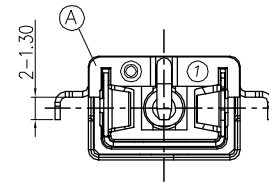
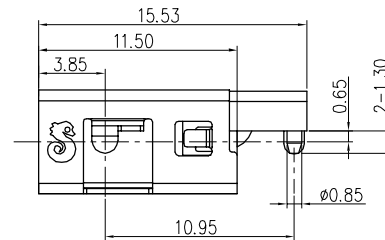
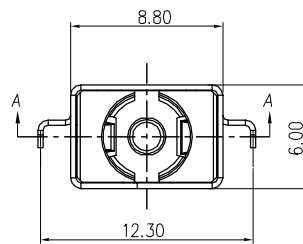
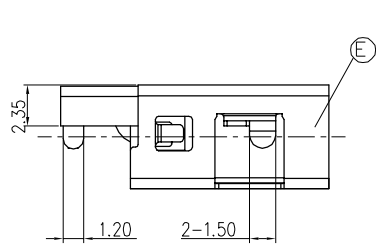
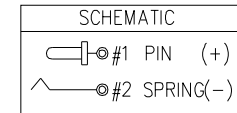
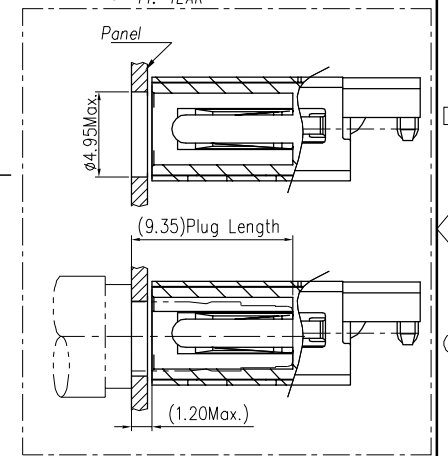
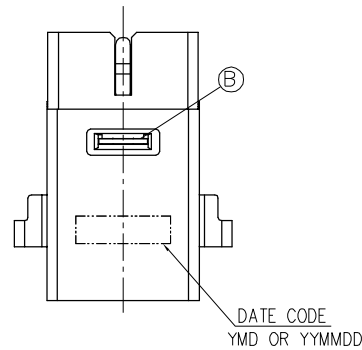
SPECIFICATIONS:

- ELECTRICAL CHARACTERISTICS:
 - RATING: 20V 5A
 - CONTACT RESISTANCE: 30mΩ MAX.
 - DIELECTRIC WITHSTANDING VOLTAGE: 500V AC FOR ONE MINUTE.
 - INSULATION RESISTANCE: 100MΩ MIN. MEASURED BY 500 VDC
- MECHANICAL CHARACTERISTICS:
 - INSERTION FORCE: 3kgf MAX.
 - WITHDRAWAL FORCE: 1.0~3kgf (BEFORE), 0.4~3.0kgf (AFTER LIFE)
- LIFE TEST: 5,000 CYCLES MIN.
- TO CONFORM TO SINGATRON HAZARDOUS SUBSTANCE FREE SPEC.
- HALOGEN FREE PRODUCT IDENTIFICATION MARK ON PRODUCT:
- HALOGEN FREE PRODUCT IDENTIFICATION LOGO ON PACKAGING:
- FOR REFLOW SOLDERING LEAD-FREE PROCESS.
- PRINTED DATE CODE "YYMMDD".

DD: DAY
MM: MONTH
YY: YEAR



ø4.75 PULG TYPE
TOLERANCE: ±0.10

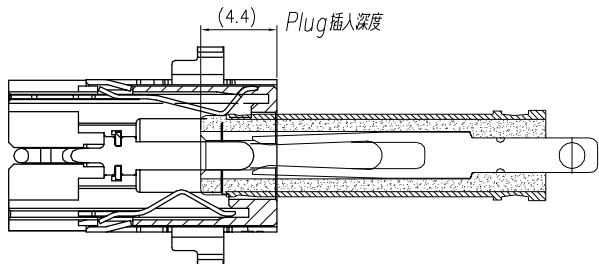


RECOMMEND PCB LAYOUT
TOP VIEW (TOLERANCES: ±0.05)

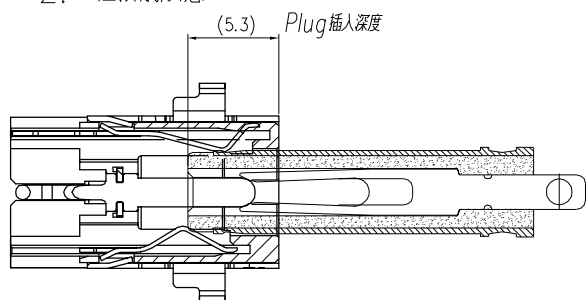
E	SHELL	1	BRASS 0.30T	可焊Ni 60u"
D	PIN	1	BRASS	Gold Flash Over Ni50u"Min
C	SPRING	1	COPPER ALLOY 0.25T	Gold Flash On Contact Area. Matte Sn 80u"Min On Solder Tail. All Over Ni 50u"
B	TERMINAL	1	SUS 0.30T	清洗
A	BODY	1	HIGH TEMP. THERMOPLASTIC UL94V-0	BLACK
NO	DESCRIPTION	QTY	MATERIAL	PLATING & COLOR
UNLESS OTHERWISE SPECIFIED TOLERANCES			Singatron Enterprise Co., Ltd. 	
DECIMALS:		ANGLES:	TITLE	
X	:±0.5	X	:±2°	DWN
X.X	:±0.3	X.X	:±1°	CHKD
X.XX	:±0.2			APVD
			DC POWER JACK	
			PART NO. 2DC3206-001111F	
			SCALE 4:1	UNIT: mm
			SIZE: A3	SHEET: 1 OF 2
			REV: A	
CUSTOMER COPY				

REV.	ECN NO OR DESCRIPTION	REVISED	DATE
A	PDR NO. T190710-1A	Qizhen	2019.11.12

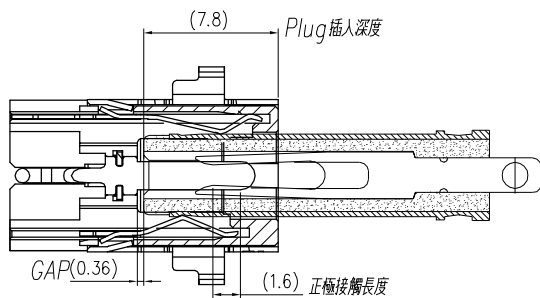
1. 負極接觸狀態



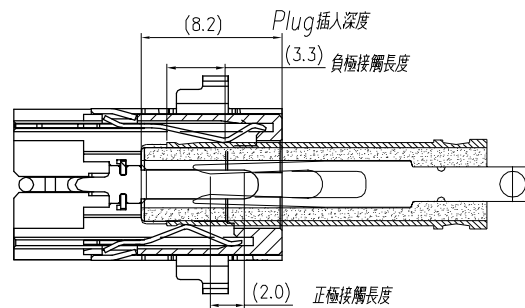
2. 正極接觸狀態



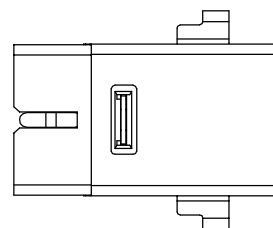
3. LOCK 狀態



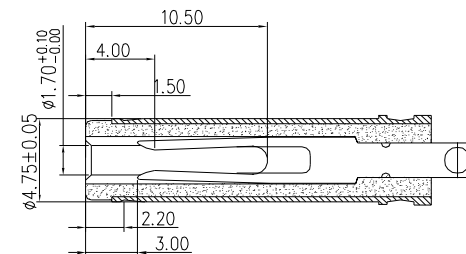
4. WORKING STATUS (PLUG FULL MATING)



2DC3206-001111F



Mating Plug



NO	DESCRIPTION	QTY	MATERIAL	PLATING & COLOR
UNLESS OTHERWISE SPECIFIED TOLERANCES		Singatron Enterprise Co., Ltd. 信音企業股份有限公司		
DECIMALS: X : ±0.5 X.X : ±0.3 X.XX : ±0.2		ANGLES: X : ±2° X.X : ±1'		TITLE DC JACK MATING
DWN	Qizhen	PART NO. 2DC3206-001111F		
CHKD	Spring	SCALE: 4:1	UNIT: mm	
APVD	Lussen	SIZE: A3	SHEET: 20F2	
CUSTOMER COPY				