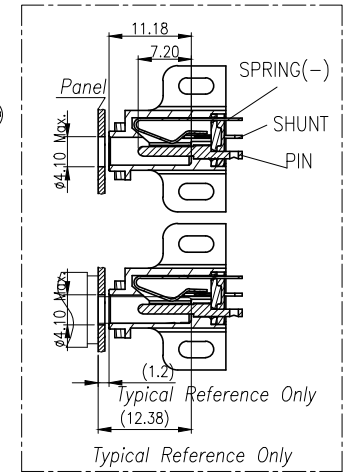
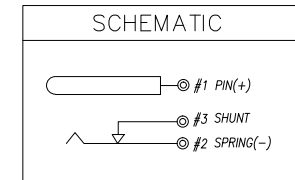
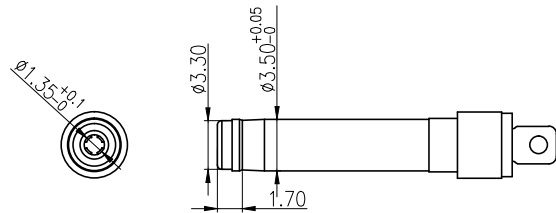
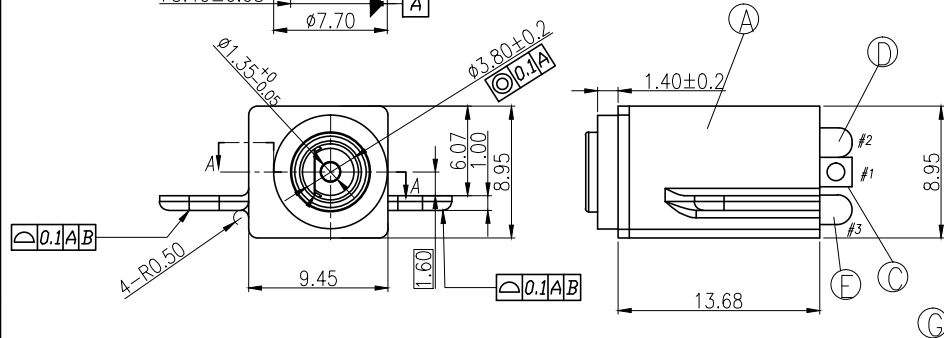
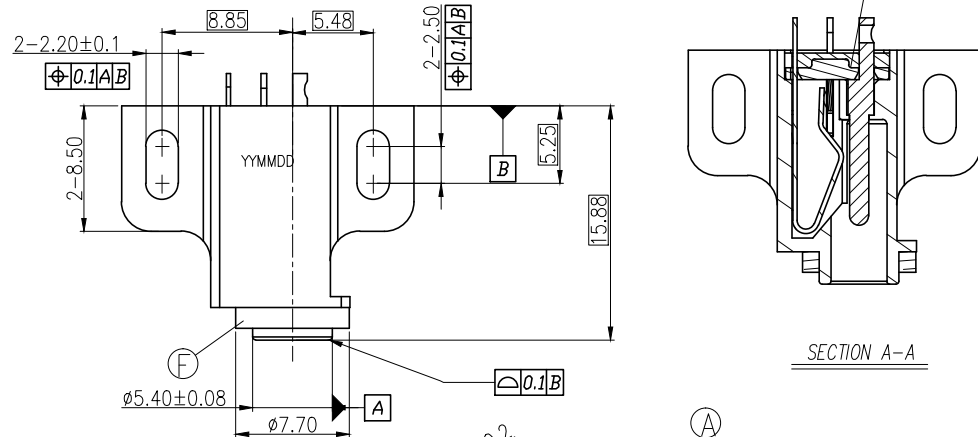


REV.	ECN NO OR DESCRIPTION	REVISED	DATE
A	PDR NO.:T200227-3A	Jie	2021.6.23
B	ECN NO.:S202112-C04	Jie	2022.01.07
C	ECN NO.:S202201-C04	Kesheng	2022.03.18
D	ECN NO.:S202206-C04	Jie	2022.06.10

SPECIFICATIONS:

- ELECTRICAL CHARACTERISTICS:
 - RATING: DC 20.3V/5.3A (FOR 6 MINUTES)
20.3V/4.5A (CONTINUOUS HEAT)
20.3V/0.7A (CONTINUOUS CHARGING)
 - CONTACT RESISTANCE: 50m Ω MAX.(INITIAL&AFTER TEST)
 - DIELECTRIC WITHSTANDING VOLTAGE: 500V DC FOR ONE MINUTE.
 - INSULATION RESISTANCE: 100MΩ MIN. MEASURED BY 500 VDC
- MECHANICAL CHARACTERISTICS:
 - INSERTION FORCE:INITIAL 0.3~3.0 Kgf; AFTER LIFE TEST:0.3~2.0 Kgf.
 - WITHDRAWAL FORCE:INITIAL 0.3~3.0 Kgf; AFTER LIFE TEST:0.3~2.0 Kgf.
- LIFE TEST: 5,000 CYCELS.
- OTHER GENERAL SPEC. TO REFER "2DC3209-000111F SPEC".
- TO CONFORM TO SINGATRON HAZARDOUS SUBSTANCE FREE SPEC.
- HALOGEN FREE PRODUCT IDENTIFICATION MARK ON JACK:
- HALOGEN FREE PRODUCT IDENTIFICATION LABEL ON PACKAGING:
- FOR HAND SOLDERING LEAD-FREE PROCESS.
- WATERPROOF LEVEL:IPX5

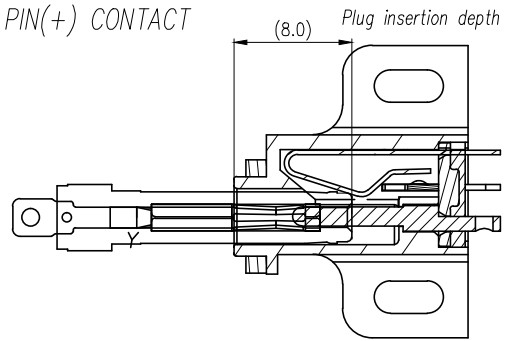


NO	DESCRIPTION	QTY	MATERIAL	PLATING & COLOR
G	WATERPROOF GLUE	1	A/B GLUE	BALCK
F	O-RING	1	NE Z150(Silicone Pad) UL94 V-0	BALCK
E	SHUNT	1	C2680-H 0.4T	GOLD FLASH ON CONTACT AREA; Sn 120u" ON SOLDER TAIL;
D	SPRING(-)	1	C5210-EH 0.3T	ALL OVER Ni 50u"
C	PIN(+)	1	HBI59-1.5B	GOLD FLASH ALL OVER Ni 60u" MIN.
B	COVER	1	LCP+30%GF	BLACK
A	HOUSING	1	PA66+30%GF	

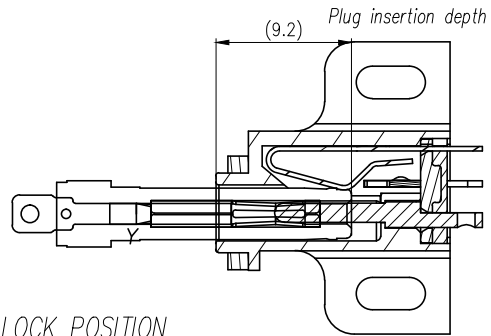
UNLESS OTHERWISE SPECIFIED TOLERANCES		Singatron Enterprise Co., Ltd. 信音企業股份有限公司		
DECIMALS:	ANGLES:	TITLE	DC POWER JACK	
X :±0.5	X :±2°	DWN	Jie	PART NO.2DC3209-000111F
X.X :±0.3	X.X :±1°	CHKD	Lussen	SCALE 4:1 UNIT: mm
X.XX :±0.2		APVD	Liao	SIZE: A3 SHEET:1 OF 2 REV:D
CUSTOMER COPY				

REV.	ECN NO OR DESCRIPTION	REVISED	DATE
A	PDR NO.:T200227-3A	Jie	2021.6.23
B	ECN NO.:S202112-C04	Jie	2022.01.07
C	ECN NO.:S202201-C04	Kesheng	2022.03.18
D	ECN NO.:S202206-C04	Jie	2022.06.10

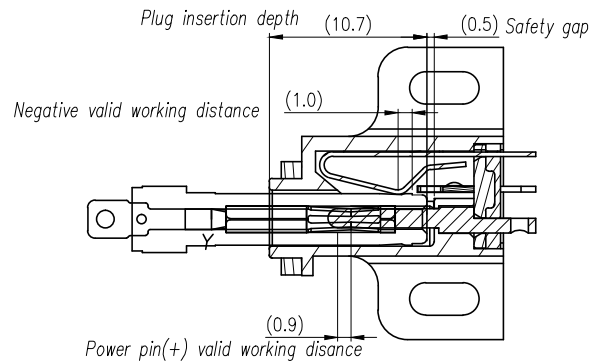
1. POWER PIN(+) CONTACT



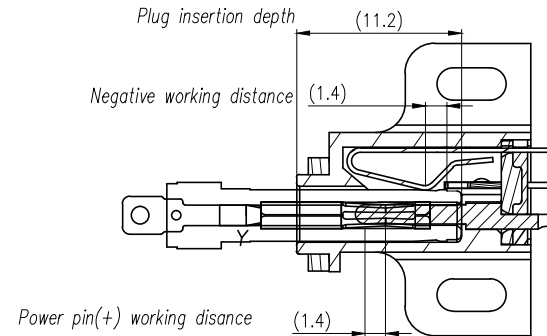
2. NEGATIVE CONTACT


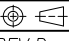


3. PLUG LOCK POSITION



4. PLUG FULL INSERTION



NO	DESCRIPTION	QTY	MATERIAL	PLATING & COLOR
UNLESS OTHERWISE SPECIFIED TOLERANCES		 Singatron Enterprise Co., Ltd. 信音企業股份有限公司		
DECIMALS:	ANGLES:	TITLE	MATING DRAWING	
X :±0.5	X :±2°	DWN	Jie	PART NO. 2DC3209-000111F
X.X :±0.3	X.X :±1°	CHKD	Lussen	SCALE 4:1 UNIT: mm 
X.XX :±0.2		APVD	Liao	SIZE: A3 SHEET: 2 OF 2 REV: D
CUSTOMER COPY				