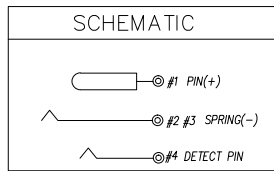


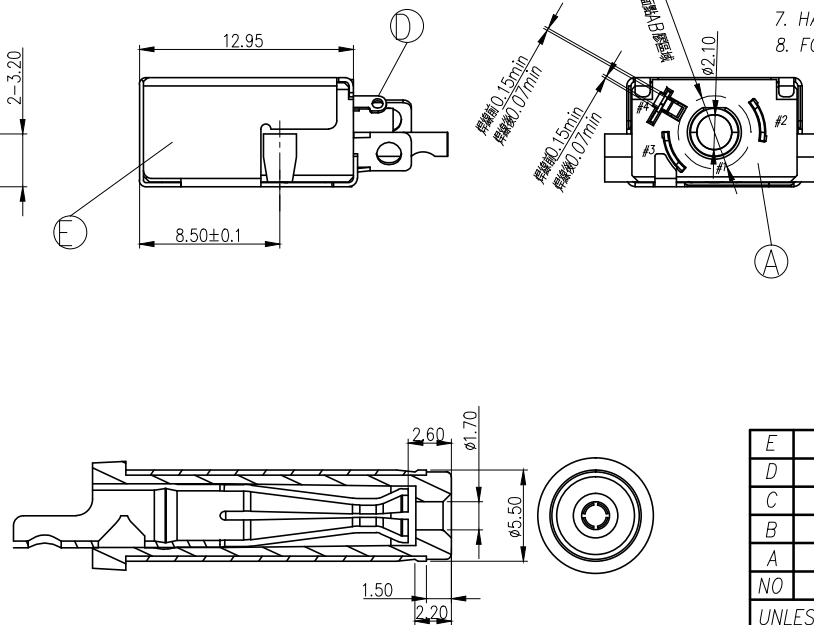
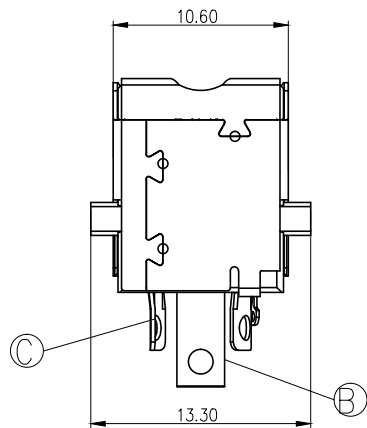
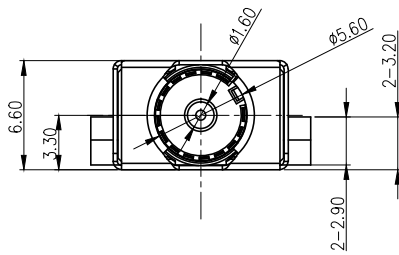
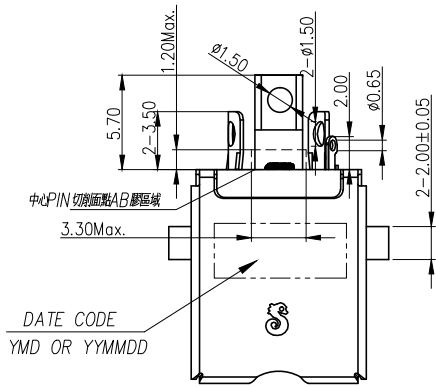
REV.	ECN NO OR DESCRIPTION	REVISED	DATE
A	PDR NO: T200817-3A	Qizhen	2021.02.25
B	ECN NO: S202106-R11	Qizhen	2021.06.29
C	ECN NO: S202312-R08	Can	2024.2.1



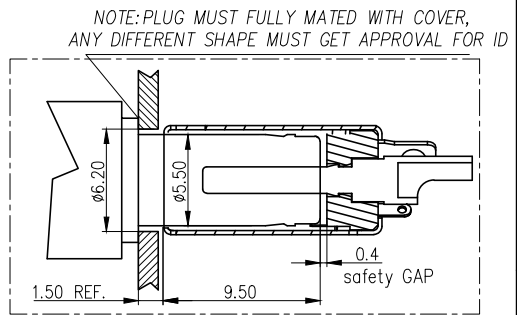
Note: Signal pin (post) function  
 1. must reserve signal pin wire to mother board connector.  
 2. Signal pin can provide a sensing signal (ADAPTER PRESENT) to system to make sure jack/plug mating is on correct position to meet jack/plug contact resistance, temperature rise, de-bounce and signal waveform quality requirements.

SPECIFICATIONS:

- ELECTRICAL CHARACTERISTICS:
  - RATING: DC 20V 20A
  - CONTACT RESISTANCE: 10m Ω MAX.(INITIAL)(ONLY FOR PIN+&SPRING-)  
CONTACT RESISTANCE: 100m Ω MAX.(INITIAL)(ONLY FOR DETECT)
  - DIELECTRIC WITHSTANDING VOLTAGE: 550V AC FOR ONE MINUTE.
  - INSULATION RESISTANCE: 100M Ω MIN. MEASURED BY 500 VDC
- MECHANICAL CHARACTERISTICS:
  - INSERTION FORCE: 0.8~3.0Kgf(INITIAL&AFTER LIFE TEST)  
WITHDRAWAL FORCE: 0.8~3.0Kgf(INITIAL&AFTER LIFE TEST)
- LIFE TEST: 5,000 CYCELS.
- OTHER GENERAL SPEC. TO REFER "2DC3213-000111F SPEC".
- TO CONFORM TO SINGATRON HAZARDOUS SUBSTANCE FREE SPEC.
- HALOGEN FREE PRODUCT IDENTIFICATION MARK ON JACK:
- HALOGEN FREE PRODUCT IDENTIFICATION LABEL ON PACKAGING:
- FOR HAND SOLDERING LEAD-FREE PROCESS.



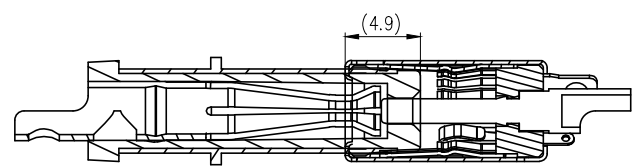
MATING PLUG: 2DP1576-000111F



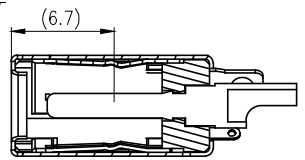
E	SHIELDING	1	STAINLESS 0.25T	Ni 60u"Min
D	DETECT PIN	1	STAINLESS 0.2T	
C	SPRING(-)	1	COPPER ALLOY 0.25T	GOLD FLASH ALL OVER Ni 60 u" Min.
B	PIN(+)	1	BRASS	BLACK
A	HOUSING	1	THERMOPLASTIC UL 94V-0	BLACK
NO	DESCRIPTION	QTY	MATERIAL	PLATING & COLOR
UNLESS OTHERWISE SPECIFIED TOLERANCES		Singatron Enterprise Co., Ltd. 信音企業股份有限公司		
DECIMALS: ANGLES:		TITLE: DC POWER JACK		
X	:±0.5	X	:±2°	DWN: Can PART NO. 2DC3213-000111F
X.X	:±0.3	X.X	:±1°	CHKD: SCALE 4:1 UNIT: mm
X.XX	:±0.2	APVD: SIZE: A3 SHEET: 1 OF 2 REV: C		
CUSTOMER COPY				

REV.	ECN NO OR DESCRIPTION	REVISED	DATE
A	PDR NO: T200817-3A	Qizhen	2021.02.25
B	ECN NO: S202106-R11	Qizhen	2021.06.29
C	ECN NO: S202312-R08 $\triangleleft$	Can	2024.2.1

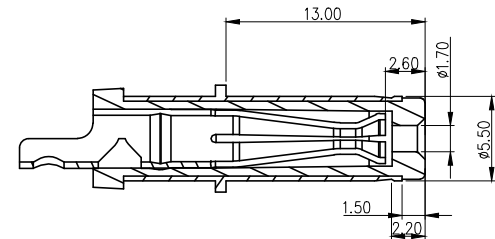
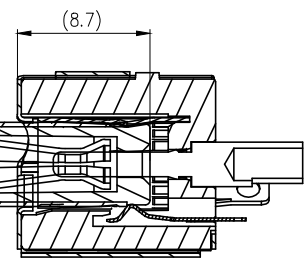
1. NEGATIVE CONTACT PLUG 插入深度



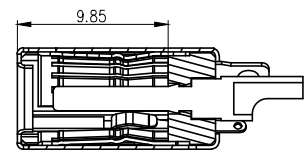
2. POWER PIN(+) CONTACT



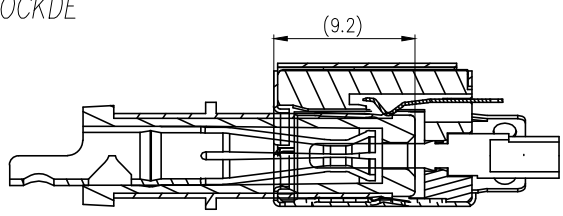
3. DETECT PIN CONTACT



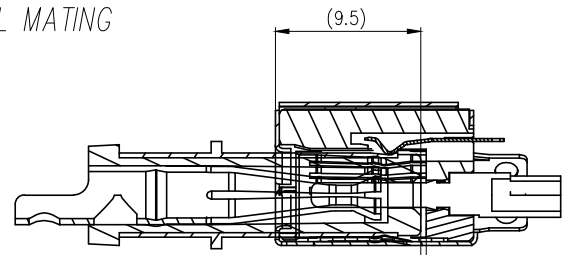
MATING PLUG: 2DP1576-000111F  $\triangleleft$



4. LOCKDE



4. FULL MATING



(0.4) Safety gap

NO	DESCRIPTION	QTY	MATERIAL	PLATING & COLOR
UNLESS OTHERWISE SPECIFIED TOLERANCES		Singatron Enterprise Co., Ltd. 信音企業股份有限公司		
DECIMALS:	ANGLES:	TITLE	MATING DRAWING	
X : ±0.5	X : ±2°	DWN	Can	<b>PART NO. 2DC3213-000111F</b>
X.X : ±0.3	X.X : ±1°	CHKD	SCALE 4:1	UNIT: mm $\oplus$ $\leftarrow$
X.XX : ±0.2		APVD	SIZE: A3	SHEET: 2 OF 2 <b>REV: C</b>
<b>CUSTOMER COPY</b>				