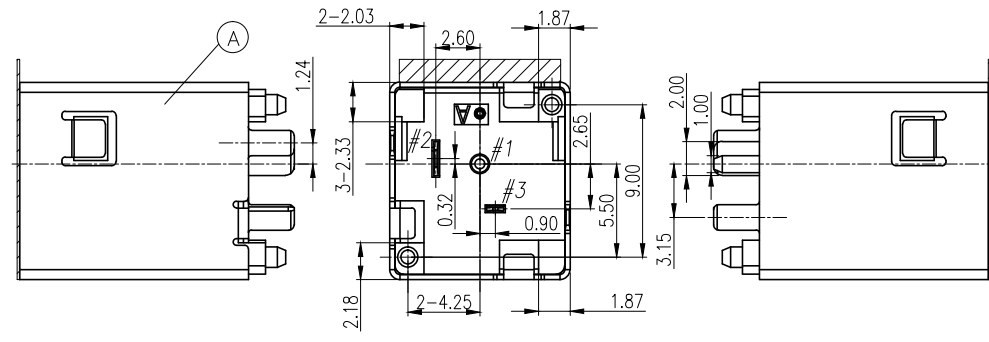
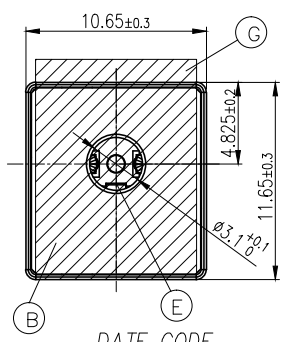
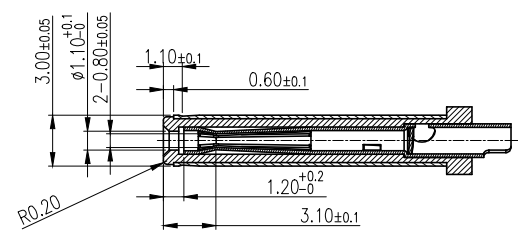
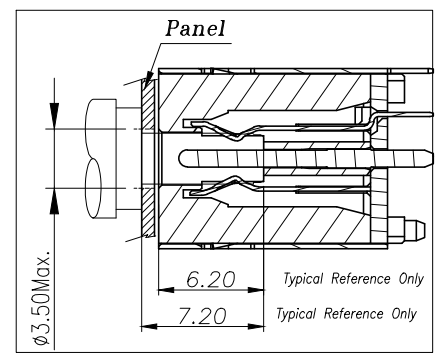
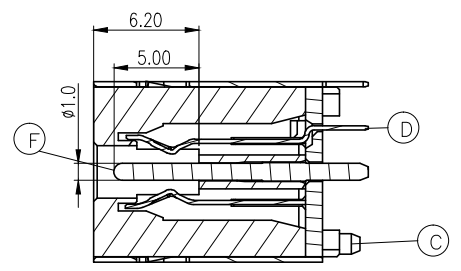
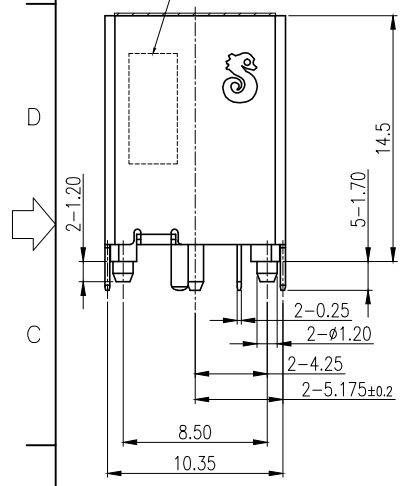
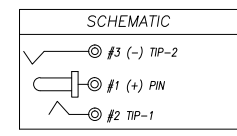


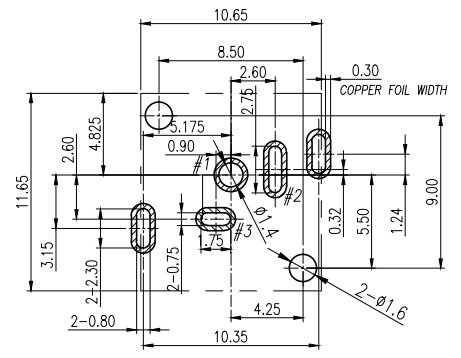
REV.	ECN NO OR DESCRIPTION	REVISED	DATE
A	PDR No.: T210302-5A	Kesheng	2022.1.27



- SPECIFICATIONS:
- ELECTRICAL CHARACTERISTICS:
 - 1-1. RATING: 19V/5A
 - 1-2. CONTACT RESISTANCE: 30mΩ MAX.(INITIAL)
 - 1-3. DIELECTRIC WITHSTANDING VOLTAGE: 500V AC FOR ONE MINUTE
 - 1-4. INSULATION RESISTANCE: 100MΩ MIN. MEASURED BY 500 VDC
 - MECHANICAL CHARACTERISTICS:
 - 2-1. INSERTION FORCE :3.0 Kgf Max.
 - 2-2. WITHDRAWAL FORCE : 0.3~3.0 Kgf
 - LIFE TEST: 5,000 CYCLES MIN.
 - OTHER GENERAL SPEC. TO REFER "2DC3217-000111F SPEC".
 - HALOGEN FREE PRODUCT IDENTIFICATION MARK ON JACK:
 - HALOGEN FREE PRODUCT IDENTIFICATION LABEL ON PACKAGEING:
 - FOR WAVE SOLDERING LEAD-FREE PROCESS.
 - PRINTED DATE CODE "YYMMDD" OR "YMD" ON TOP OF JACK.



MATING PLUG
SINGATRON P/N: 2DP1546-000111F



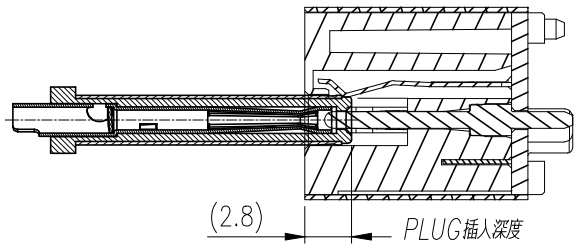
RECOMMEND P.C.B LAYOUT
TOP VIEW (TOLERANCES: ±0.05) T=1.6mm

G	MYLAR	1	T0.15	BROWN YELLOW
F	PIN	1	BRASS	GOLD FLASH
E	TIP-2	1	COPPER ALLOY;0.25T	GOLD FLASH ON CONTACT AREA;
D	TIP-1	1	BRASS; 0.25T	Matte Sn 120u" ON SOLDER TAIL;
C	COVER	1	HIGH TEMP.THERMOPLASTIC UL94V-0	ALL OVER Ni 50u"
B	BODY	1	HIGH TEMP.THERMOPLASTIC UL94V-0	BLACK
A	SHELL	1	COPPER ALLOY;0.3T	Ni 60u"Min.
NO	DESCRIPTION	QTY	MATERIAL	PLATING & COLOR

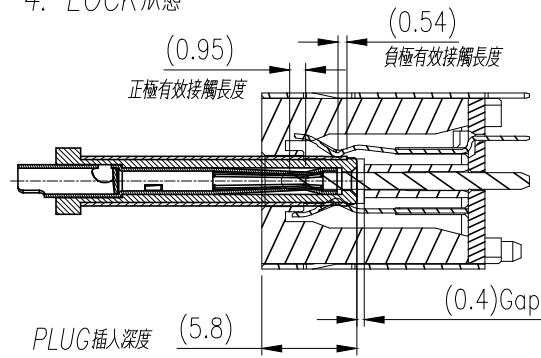
UNLESS OTHERWISE SPECIFIED TOLERANCES		Singatron Enterprise Co., Ltd. 信音企業股份有限公司		
DECIMALS:	ANGLES:	TITLE		
X :±0.5	X :±2°	DWN	Kesheng	PART NO:2DC3217-000111F
X.X :±0.30	X.X :±1°	CHKD	Lussen	SCALE:4:1 UNIT: mm
X.XX :±0.20		APVD	Liao	SIZE: A3 SHEET:1 OF 2 REV:A
CUSTOMER COPY				

REV.	ECN NO OR DESCRIPTION	REVISED	DATE
A	PDR NO.: T210302-5A	Kesheng	2022.1.27

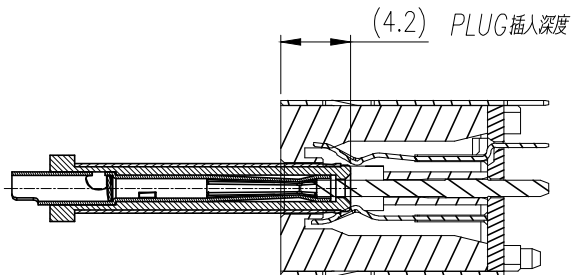
1. TIP-2(-)接觸狀態



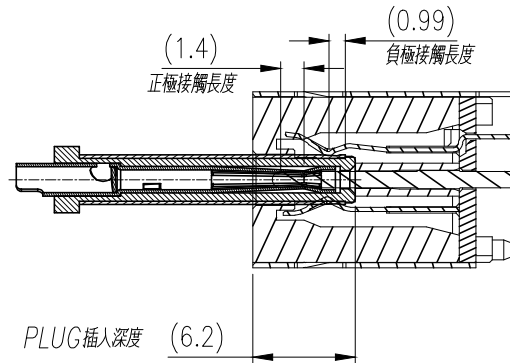
4. LOCK狀態



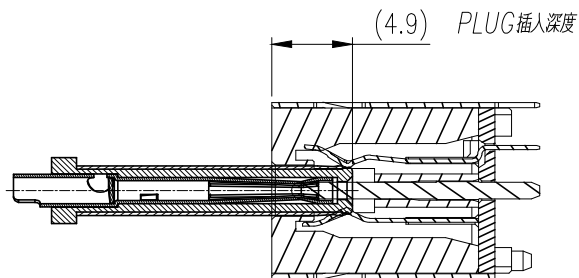
2. PIN(+)接觸狀態




5. PLUG插到底狀態



3. TIP-1(-)接觸狀態



NO	DESCRIPTION	QTY	MATERIAL	PLATING & COLOR
UNLESS OTHERWISE SPECIFIED TOLERANCES		 Singatron Enterprise Co., Ltd. 信音企業股份有限公司		
DECIMALS:	ANGLES:	TITLE	DC POWER JACK	
X :±0.5	X :±2°	DWN	Kesheng	PART NO. 2DC3217-000111F
X.X :±0.3	X.X :±1°	CHKD	Lussen	SCALE 4:1 UNIT: mm
X.XX :±0.2		APVD	Liao	SIZE: A3 SHEET:2 OF 2 REV:A
CUSTOMER COPY				