

REV.	ECN NO OR DESCRIPTION	REVISED	DATE
A	PDR NO.:T210302-4A	Springwu	2021.12.10

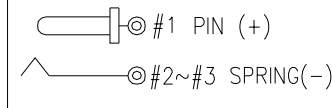
SPECIFICATIONS:

- ELECTRICAL CHARACTERISTICS:
 - RATING: 20V 5A.
 - CONTACT RESISTANCE: 20mΩ MAX.(INITIAL)
 - DIELECTRIC WITHSTANDING VOLTAGE: 500V AC FOR ONE MINUTE.
 - INSULATION RESISTANCE: 100MΩ MIN. MEASURED BY 500V DC.
- MECHANICAL CHARACTERISTICS:
 - INSERTION FORCE : 2.7 Kgf MAX.
 - WITHDRAWAL FORCE : 0.8~2.7 Kgf.
- TEMPERATURE RISE CAN'T EXCEED 30°C.
- LIFE TEST: 5,000 CYCLES MIN.
- OTHER SPEC. REFER TO "2DC3218-000111F SPEC."
- TO CONFORM TO SINGATRON HAZARDOUS SUBSTANCE FREE SPEC.
- HALOGEN FREE PRODUCT IDENTIFICATION MARK ON JACK:
- HALOGEN FREE PRODUCT IDENTIFICATION LABEL ON PACKAGING:
- FOR REFLOW SOLDERING LEAD-FREE PROCESS.
- PRINTED DATE CODE "YYMMDD" OR "YMD" ON TOP OF JACK.

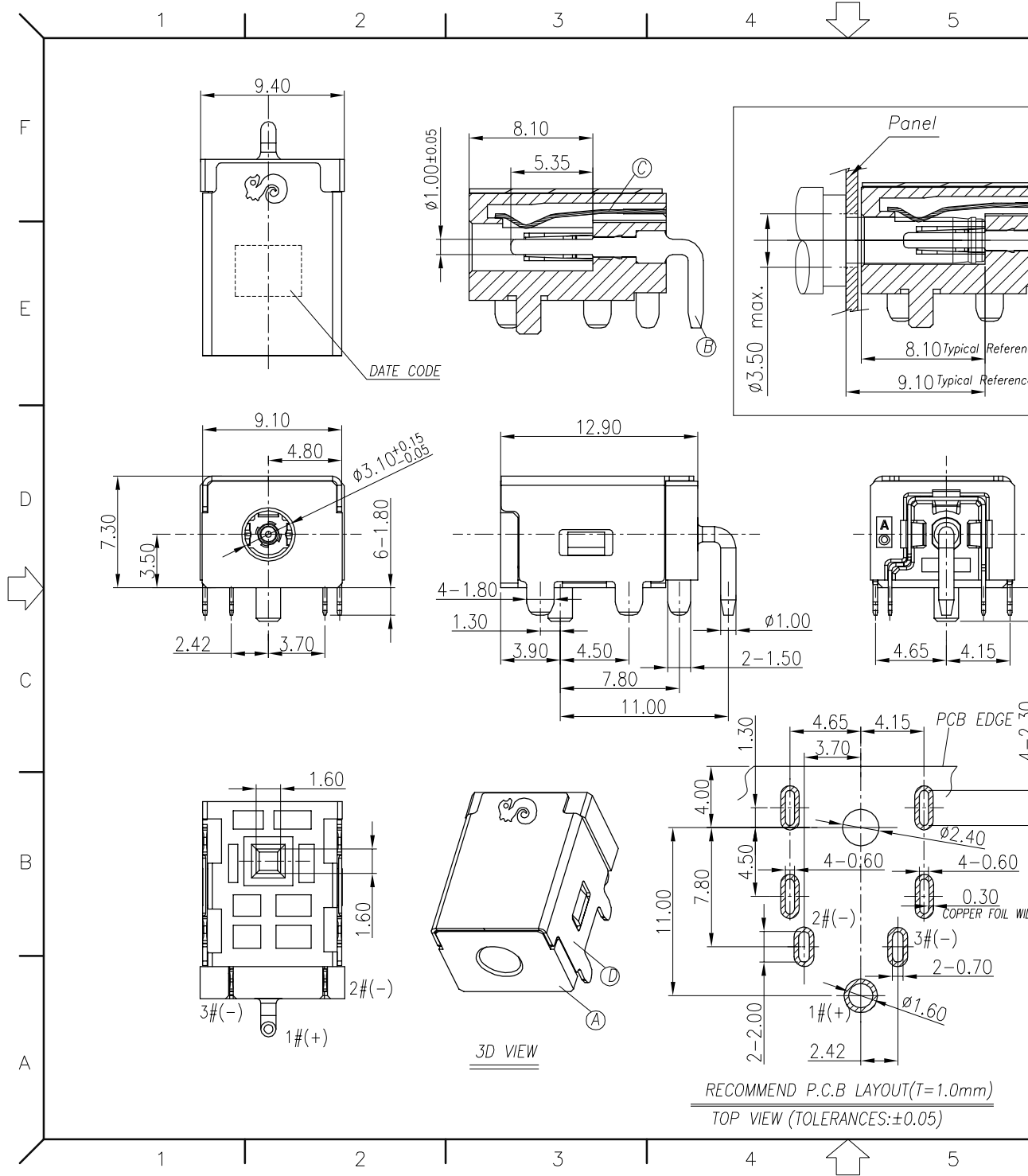
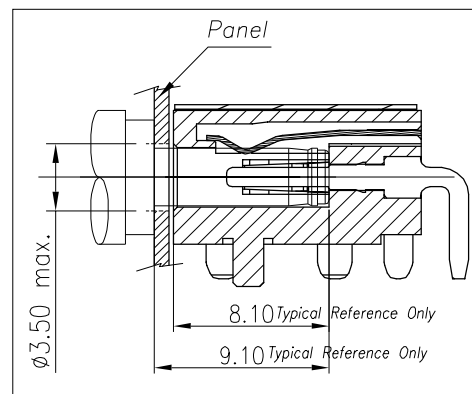
YY: YEAR
MM: MONTH
DD: DAY

DD: DAY
MM: MONTH
YY: YEAR

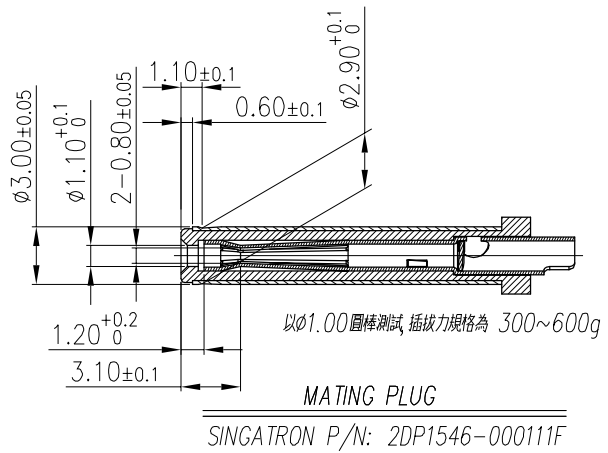
SCHEMATIC



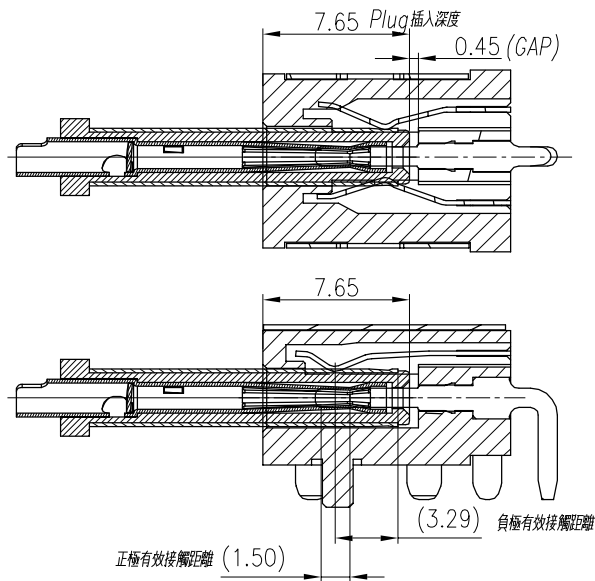
ITEM	DESCRIPTION	QTY	MATERIAL	PLATING & COLOR
D	SHELL	1	STAINLESS 0.30T	Ni 60u" MIN.
C	SPRING(-)	1	PHOSPHOR BRONZE 0.25T	MATTE Sn 120u" OVER Ni 50u" MIN.
B	PIN	1	BRASS	GOLD FLASH OVER Ni 50u" MIN..
A	BODY	1	HIGH TEMP.THERMOPLASTIC (HALOGEN FREE)JUL 94V-0	BLACK
UNLESS OTHERWISE SPECIFIED TOLERANCES		Singatron Enterprise Co., Ltd. 信音企業股份有限公司		
DECIMALS: ANGLES:		TITLE: $\phi 3.0$ DC POWER JACK		
X :±0.5	X :±2°	DWN	Springwu	PART NO. 2DC3218-000111F
X.X :±0.3	X.X :±1°	CHKD	Lussen	SCALE: 4:1 UNIT: mm
X.XX :±0.2		APVD	Liao	SIZE: A3 SHEET:1 OF 2 REV:A
CUSTOMER COPY				



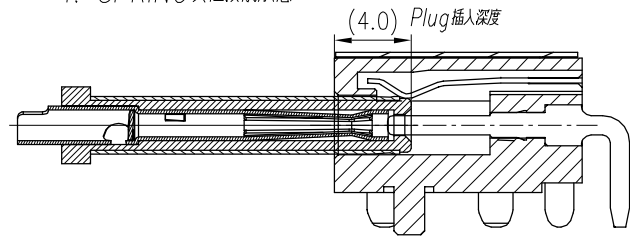
REV.	ECN NO OR DESCRIPTION	REVISED	DATE
A	PDR NO.:T210302-4A	Springwu	2021.12.10



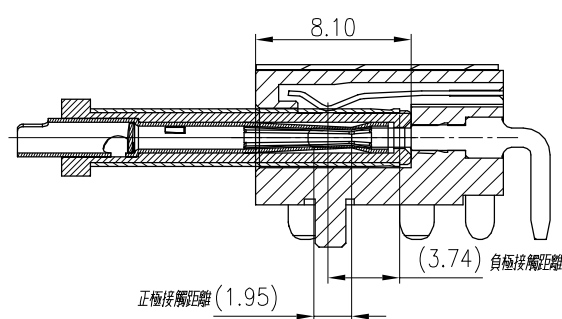
3. LOCK POSITION



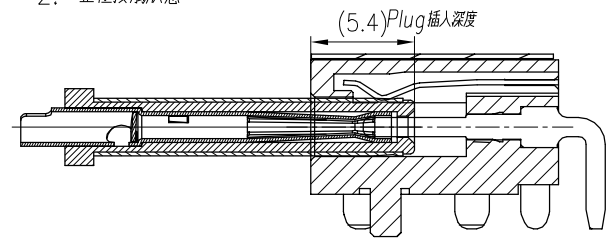
1. SPRING 負極接觸狀態



4. FULL INSERTION



2. 正極接觸狀態



ITEM	DESCRIPTION	QTY	MATERIAL	PLATING & COLOR
UNLESS OTHERWISE SPECIFIED TOLERANCES			Singatron Enterprise Co., Ltd. 信音企業股份有限公司	
DECIMALS:	ANGLES:	TITLE	DC POWER JACK_MATING DRAWING	
X : ±0.5	X : ±2°	DWN	Springwu	PART NO. 2DC3218-000111F
X.X : ±0.3	X.X : ±1°	CHKD	Lussen	SCALE 4:1 UNIT: mm
X.XX : ±0.2		APVD	Liao	SIZE: A3 SHEET: 2 OF 2 REV: A
CUSTOMER COPY				