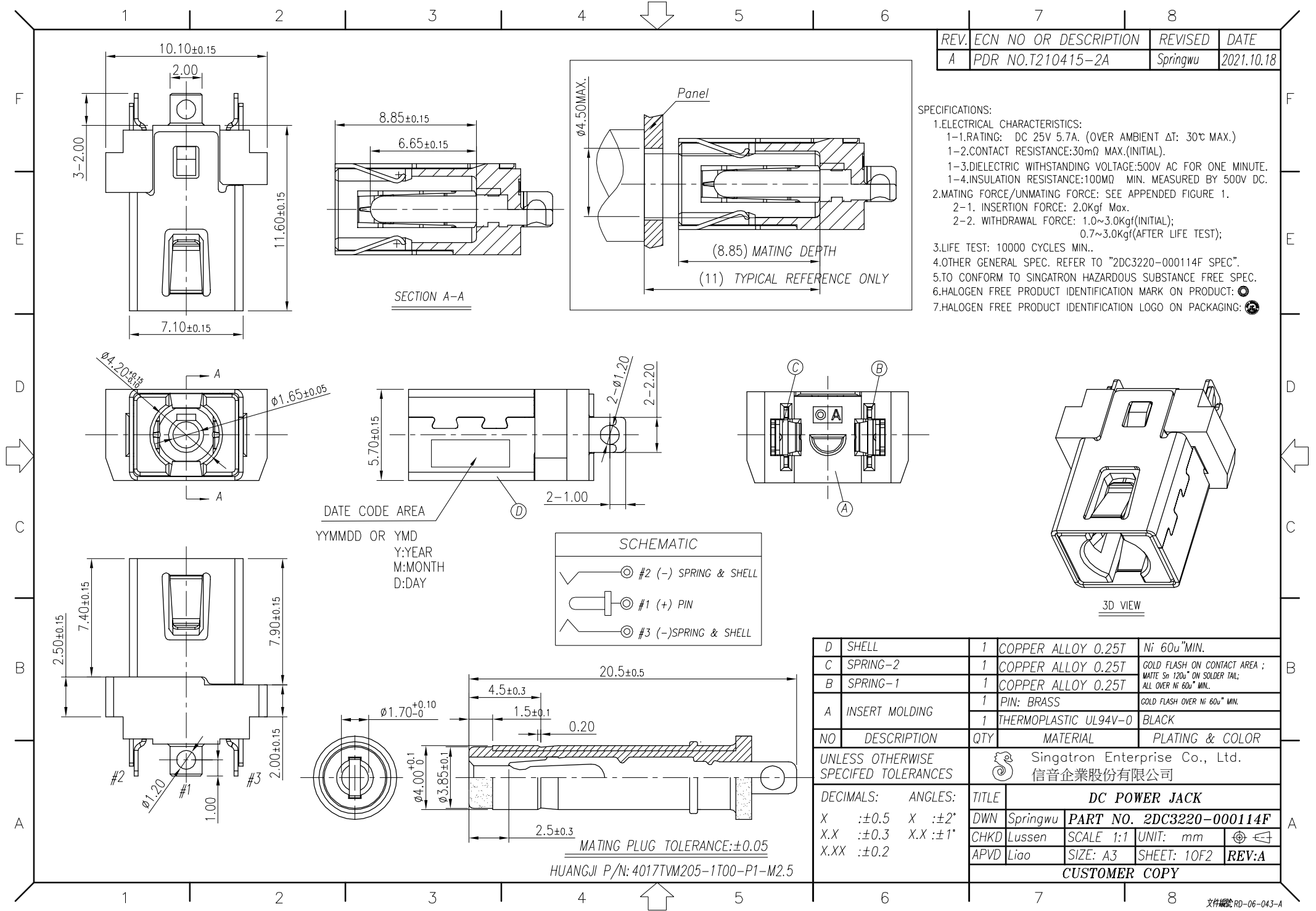


REV.	ECN NO OR DESCRIPTION	REVISED	DATE
A	PDR NO.T210415-2A	Springwu	2021.10.18

SPECIFICATIONS:

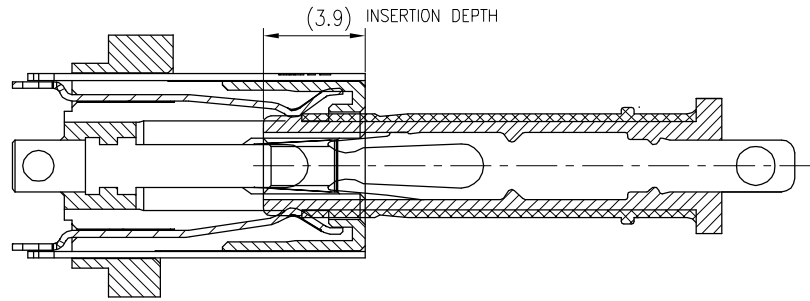
- ELECTRICAL CHARACTERISTICS:
  - RATING: DC 25V 5.7A. (OVER AMBIENT  $\Delta T$ : 30°C MAX.)
  - CONTACT RESISTANCE: 30m $\Omega$  MAX.(INITIAL).
  - DIELECTRIC WITHSTANDING VOLTAGE: 500V AC FOR ONE MINUTE.
  - INSULATION RESISTANCE: 100M $\Omega$  MIN. MEASURED BY 500V DC.
- MATING FORCE/UNMATING FORCE: SEE APPENDED FIGURE 1.
  - INSERTION FORCE: 2.0Kgf Max.
  - WITHDRAWAL FORCE: 1.0~3.0Kgf(INITIAL);  
0.7~3.0Kgf(AFTER LIFE TEST);
- LIFE TEST: 10000 CYCLES MIN..
- OTHER GENERAL SPEC. REFER TO "2DC3220-000114F SPEC".
- TO CONFORM TO SINGATRON HAZARDOUS SUBSTANCE FREE SPEC.
- HALOGEN FREE PRODUCT IDENTIFICATION MARK ON PRODUCT:
- HALOGEN FREE PRODUCT IDENTIFICATION LOGO ON PACKAGING:



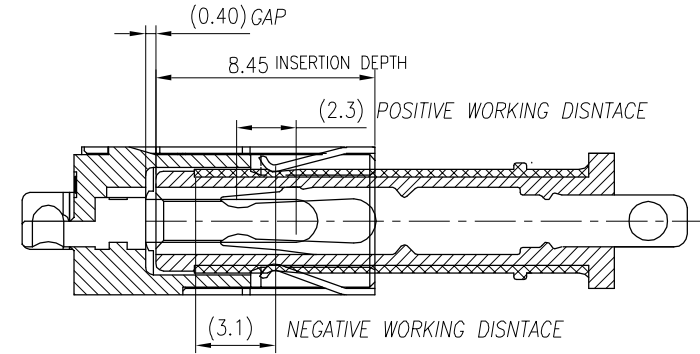
NO	DESCRIPTION	QTY	MATERIAL	PLATING & COLOR
D	SHELL	1	COPPER ALLOY 0.25T	Ni 60u"MIN.
C	SPRING-2	1	COPPER ALLOY 0.25T	GOLD FLASH ON CONTACT AREA ; MATTE Sn 120u" ON SOLDER TAIL; ALL OVER Ni 60u" MIN.
B	SPRING-1	1	COPPER ALLOY 0.25T	GOLD FLASH OVER Ni 60u" MIN.
A	INSERT MOLDING	1	PIN: BRASS	GOLD FLASH OVER Ni 60u" MIN.
		1	THERMOPLASTIC UL94V-0	BLACK
UNLESS OTHERWISE SPECIFIED TOLERANCES		Singatron Enterprise Co., Ltd. 信音企業股份有限公司		
DECIMALS: ANGLES:		TITLE		
X : ±0.5	X : ±2°	DWN	Springwu	<b>PART NO. 2DC3220-000114F</b>
X.X : ±0.3	X.X : ±1°	CHKD	Lussen	SCALE 1:1 UNIT: mm
X.XX : ±0.2		APVD	Liao	SIZE: A3 SHEET: 10F2 REV:A
<b>CUSTOMER COPY</b>				

REV.	ECN NO OR DESCRIPTION	REVISED	DATE
A	PDR NO.T210415-2A	Springwu	2021.10.18

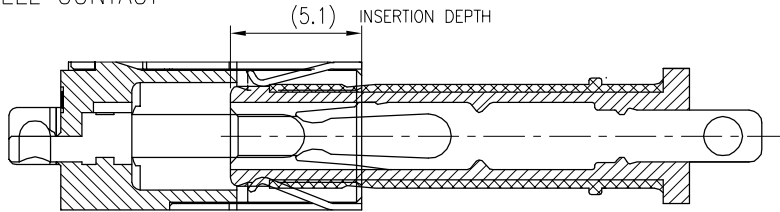
1. NEGATIVE CONTACT FIRST



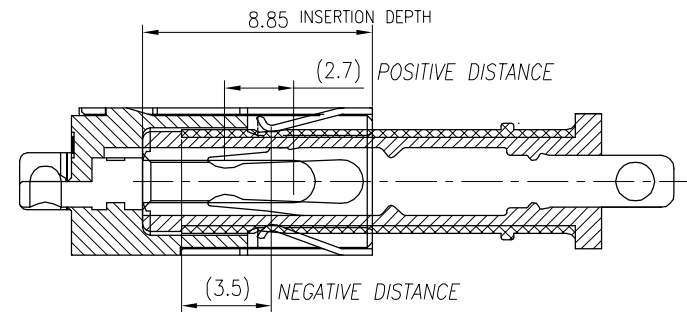
4. LOCK POSITION



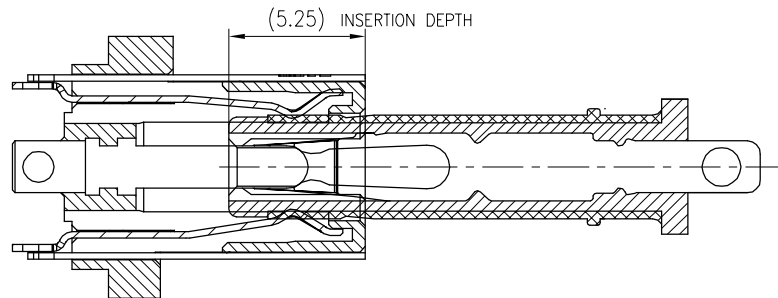
2. SHELL CONTACT




5. FULL INSERTION



3. POSITIVE CONTACT



NO	DESCRIPTION	QTY	MATERIAL	PLATING & COLOR
UNLESS OTHERWISE SPECIFIED TOLERANCES		 Singatron Enterprise Co., Ltd. 信音企業股份有限公司		
DECIMALS:	ANGLES:	TITLE	DC POWER JACK	
X :±0.5	X :±2°	DWN	Springwu	PART NO. 2DC3220-000114F
X.X :±0.3	X.X :±1°	CHKD	Lussen	SCALE 1:1 UNIT: mm
X.XX :±0.2		APVD	Liao	SIZE: A3 SHEET: 20F2 REV:A
CUSTOMER COPY				