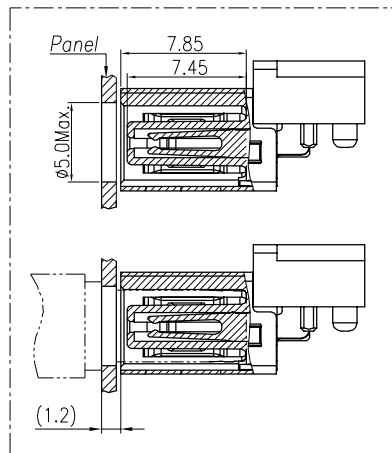
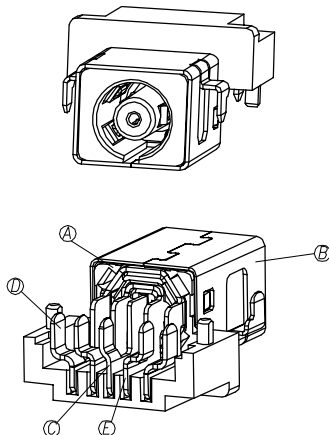
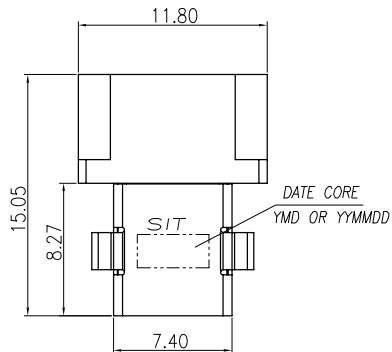
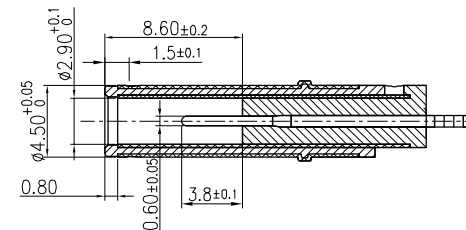
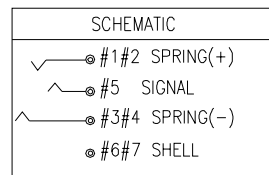
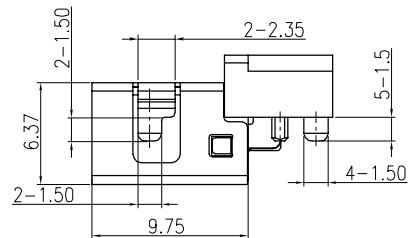
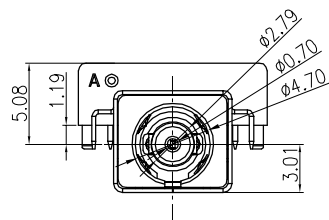


REV.	ECN NO OR DESCRIPTION	REVISED	DATE
A	PDR NO. T210531-5A	Xuehua	2022.3.3
B	ECN NO.S202204-R04	Xuehua	2022.4.25

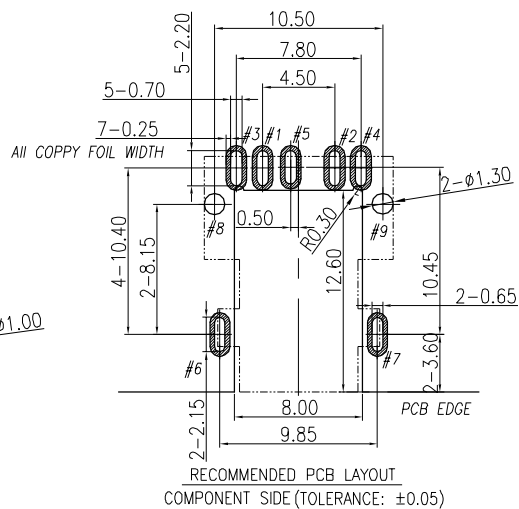
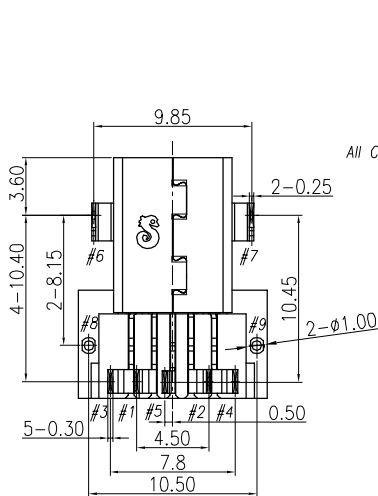


SPECIFICATIONS:

- ELECTRICAL CHARACTERISTICS:
  - 1-1. RATING: 20V 16.5A
  - 1-2. CONTACT RESISTANCE: 30mΩ MAX.
  - 1-3. DIELECTRIC WITHSTANDING VOLTAGE: 500V AC FOR ONE MINUTE.
  - 1-4. INSULATION RESISTANCE: 100MΩ MIN. MEASURED BY 500 VDC
- MECHANICAL CHARACTERISTICS:
  - 2-1. INSERTION FORCE: 0.6~2.5kgf.
  - 2-2. WITHDRAWAL FORCE: 0.6~2.5kgf.
- LIFE TEST: 5,000 CYCLES.
- TO CONFORM TO SINGATRON HAZARDOUS SUBSTANCE FREE SPEC.
- HALOGEN FREE PRODUCT IDENTIFICATION MARK ON PRODUCT:
- HALOGEN FREE PRODUCT IDENTIFICATION LOGO ON PACKAGING:
- FOR REFLOW SOLDERING LEAD-FREE PROCESS.



MATING PLUG (TOLERANCE:±0.05)  
P/N: 4506YV284N8-03CC



NO	DESCRIPTION	QTY	MATERIAL	PLATING & COLOR
E	SPRING(+)	1	HIGH CONDUCTIVITY COPPER 0.30T	Pd/Ni 30u" Min. & GOLD-PLATED
D	SPRING(-)	1	HIGH CONDUCTIVITY COPPER 0.30T	3u"Min. OR Au 30u" Min.ON CONTACT
C	SIGNAL	1	HIGH CONDUCTIVITY COPPER 0.30T	AREA; MATTE Sn 120u" ON SOLDER
B	SHELL	1	SUS 0.25T	TAIL; ALL OVER NI 50u" MIN..
A	BODY	1	HIGH TEMP.THERMOPLASTIC UL 94V-0	BLACK

UNLESS OTHERWISE SPECIFIED TOLERANCES

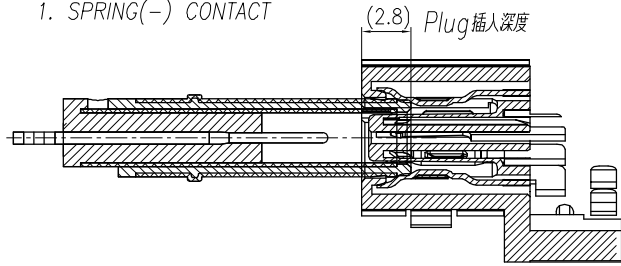
Singatron Enterprise Co., Ltd.  
 信音企業股份有限公司

DECIMALS:	ANGLES:	TITLE	DC POWER JACK		
X :±0.5	X :±2°	DWN	Xuehua	PART NO. 2DC3221-000111F	
X.X :±0.3	X.X :±1°	CHKD	Lussen	SCALE 4:1	UNIT: mm
X.XX :±0.2		APVD	Liao	SIZE: A3	SHEET:1 OF 2
					REV:B

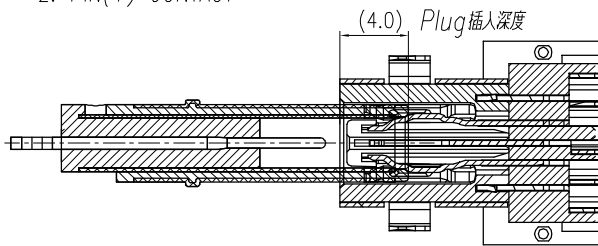
CUSTOMER COPY

REV.	ECN NO OR DESCRIPTION	REVISED	DATE
A	PDR NO. T210531-5A	Xuehua	2022.3.3
B	ECN NO.S202204-R04	Xuehua	2022.4.25

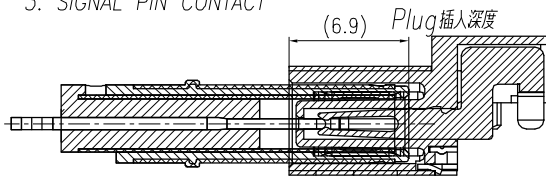
1. SPRING(-) CONTACT



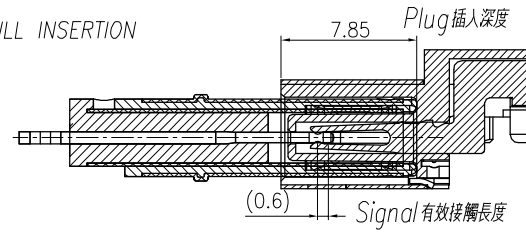
2. PIN(+) CONTACT



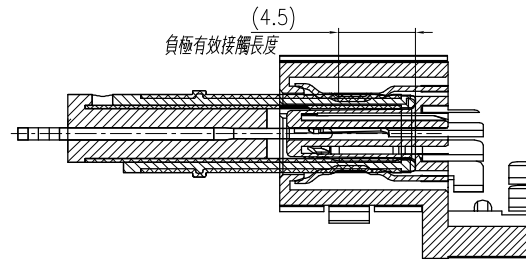
3. SIGNAL PIN CONTACT



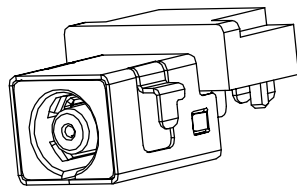
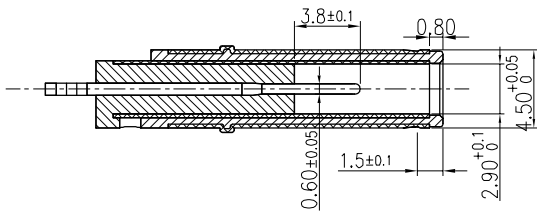
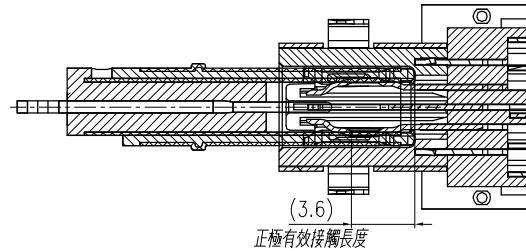
4. FULL INSERTION



負極有效接觸長度 (4.5)



正極有效接觸長度 (3.6)



UNLESS OTHERWISE SPECIFIED TOLERANCES

DECIMALS: ANGLES:  
 X :±0.5 X :±2°  
 X.X :±0.3 X.X :±1°  
 X.XX :±0.2

Singatron Enterprise Co., Ltd.  
 信音企業股份有限公司

TITLE	MATTING DRAWING		
DWN Xuehua	PART NO. 2DC3221-000111F		
CHKD Lussen	SCALE 4:1	UNIT: mm	④
APVD Liao	SIZE: A3	SHEET: 2 OF 2	REV: B

CUSTOMER COPY