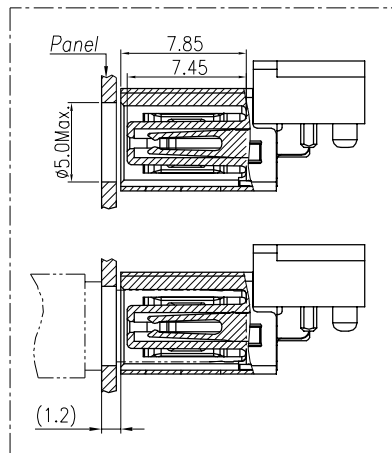
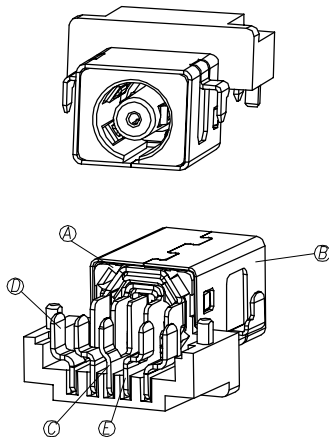
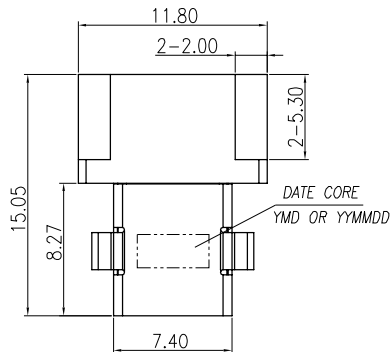
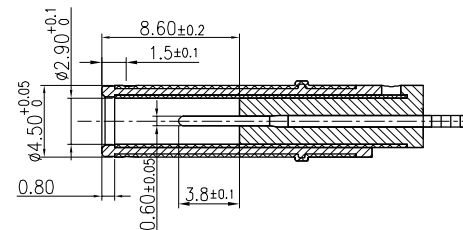
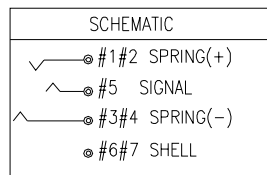
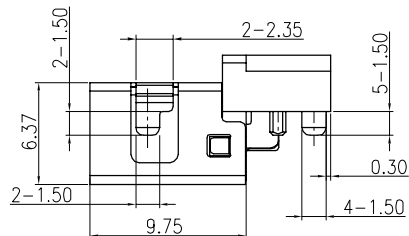
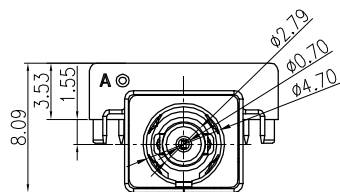


REV.	ECN NO OR DESCRIPTION	REVISED	DATE
A	PDR NO. T220304-4A	Xuehua	2022.11.29

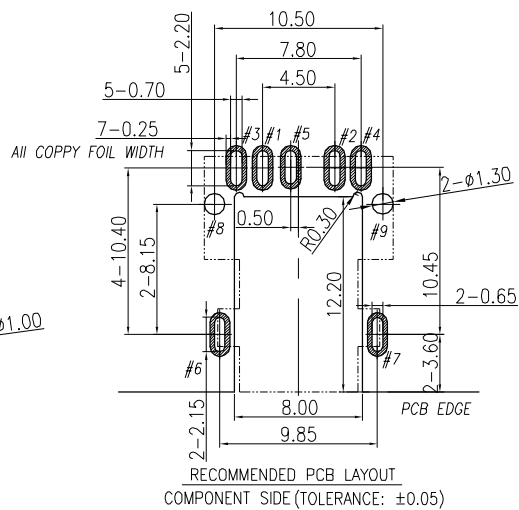
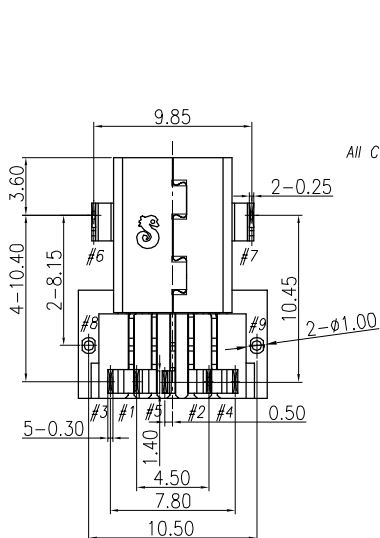


SPECIFICATIONS:

- ELECTRICAL CHARACTERISTICS:
 - 1-1. RATING: 20V 16.5A
 - 1-2. CONTACT RESISTANCE: 30mΩ MAX.
 - 1-3. DIELECTRIC WITHSTANDING VOLTAGE: 500V AC FOR ONE MINUTE.
 - 1-4. INSULATION RESISTANCE: 100MΩ MIN. MEASURED BY 500 VDC
- MECHANICAL CHARACTERISTICS:
 - 2-1. INSERTION FORCE: 0.6~2.5kgf .
 - 2-2. WITHDRAWAL FORCE: 0.6~2.5kgf.
- LIFE TEST: 5,000 CYCLES.
- TO CONFORM TO SINGATRON HAZARDOUS SUBSTANCE FREE SPEC.
- HALOGEN FREE PRODUCT IDENTIFICATION MARK ON PRODUCT: Ⓢ
- HALOGEN FREE PRODUCT IDENTIFICATION LOGO ON PACKAGING:
- FOR REFLOW SOLDERING LEAD-FREE PROCESS.



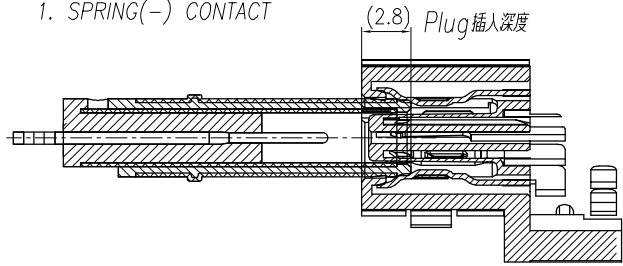
MATING PLUG (TOLERANCE:±0.05)
P/N: 4506YV284N8-03CC



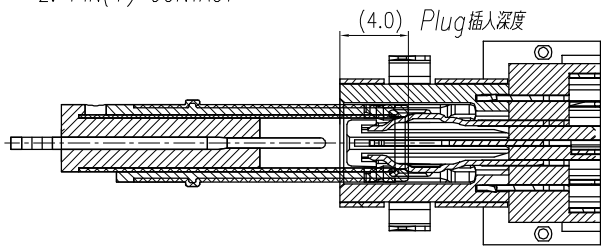
NO	DESCRIPTION	QTY	MATERIAL	PLATING & COLOR
E	SPRING(+)	1	HIGH CONDUCTIVITY COPPER 0.30T	Au 30u" Min.ON CONTACT
D	SPRING(-)	1	HIGH CONDUCTIVITY COPPER 0.30T	AREA; MATTE Sn 120u" ON SOLDER
C	SIGNAL	1	HIGH CONDUCTIVITY COPPER 0.30T	TAIL; ALL OVER NI 50u" MIN..
B	SHELL	1	SUS 0.25T	Ni 50u"Min.
A	BODY	1	HIGH TEMP.THERMOPLASTIC UL 94V-0	BLACK
UNLESS OTHERWISE SPECIFIED TOLERANCES		Singatron Enterprise Co., Ltd. 信音企業股份有限公司		
DECIMALS: ANGLES:		TITLE		
X :±0.5	X :±2°	DC POWER JACK		
X.X :±0.3	X.X :±1°	DWN	Xuehua	PART NO. 2DC3221-002111F
X.XX :±0.2		CHKD	Lussen	SCALE 4:1 UNIT: mm
		APVD	Liao	SIZE: A3 SHEET:1 OF 2 REV: A
CUSTOMER COPY				

REV.	ECN NO OR DESCRIPTION	REVISED	DATE
A	PDR NO. T220304-4A	Xuehua	2022.11.29

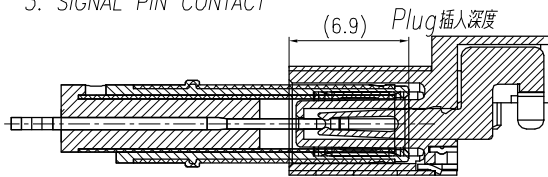
1. SPRING(-) CONTACT



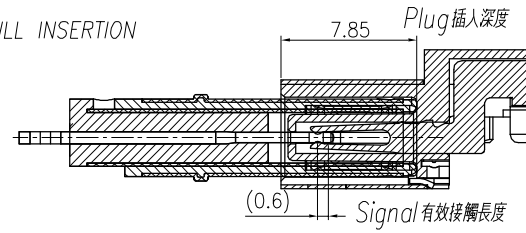
2. PIN(+) CONTACT



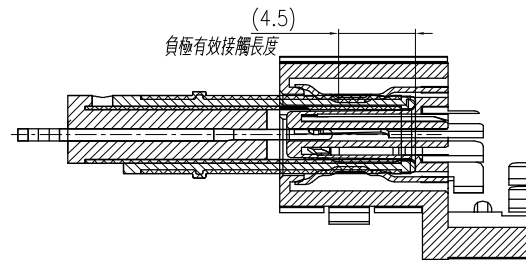
3. SIGNAL PIN CONTACT



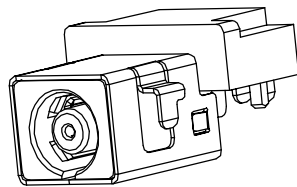
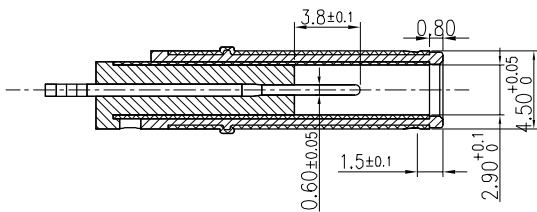
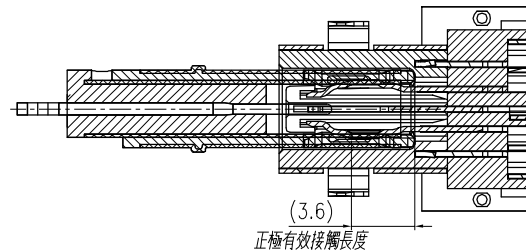
4. FULL INSERTION



負極有效接觸長度 (4.5)



正極有效接觸長度 (3.6)



UNLESS OTHERWISE SPECIFIED TOLERANCES

DECIMALS: ANGLES:
 X :±0.5 X :±2°
 X.X :±0.3 X.X :±1°
 X.XX :±0.2

Singatron Enterprise Co., Ltd.
 信音企業股份有限公司

TITLE	MATTING DRAWING		
DWN	Xuehua	PART NO. 2DC3221-002111F	
CHKD	Lussen	SCALE 4:1	UNIT: mm
APVD	Liao	SIZE: A3	SHEET: 2 OF 2
		REV: A	

CUSTOMER COPY