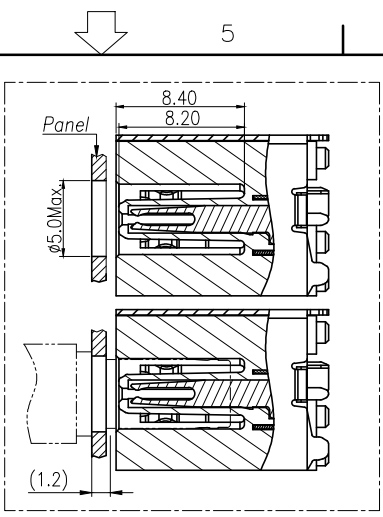
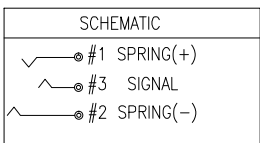
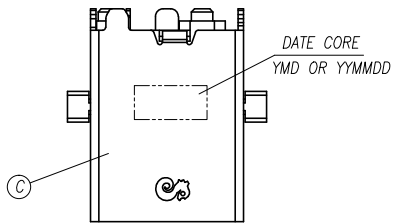
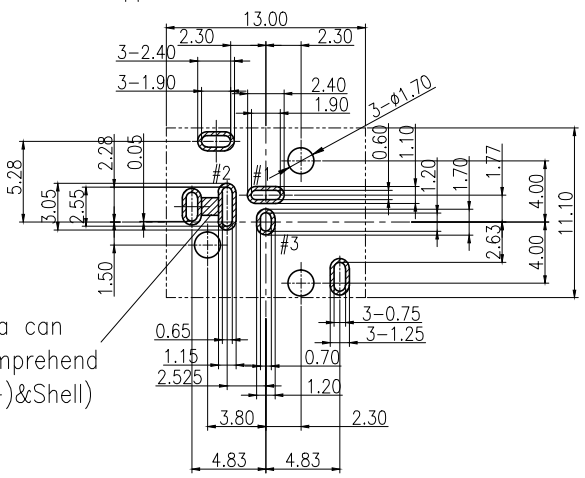
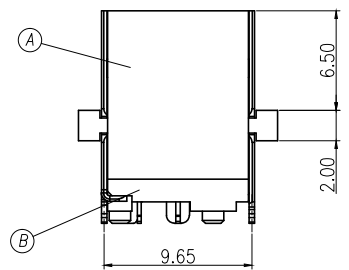
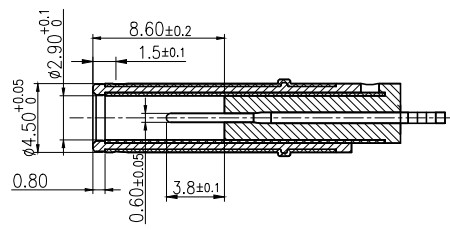
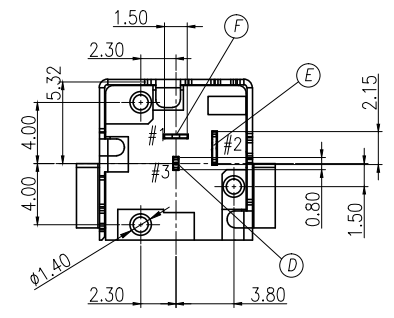
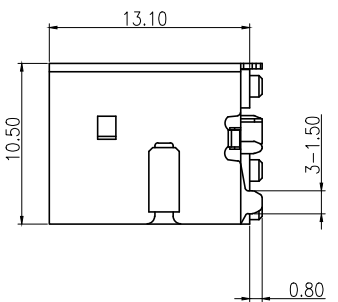
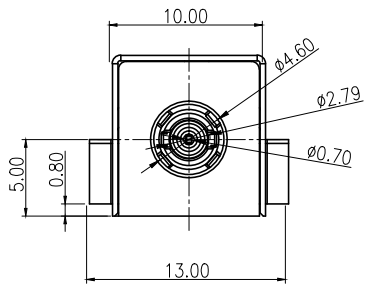


REV.	ECN NO OR DESCRIPTION	REVISED	DATE
A	PDR NO. T220526-3A	JIE-FU	2023.02.16
B	ECN NO. S202309-C28	Yizhou	2023.12.01



SPECIFICATIONS:

- ELECTRICAL CHARACTERISTICS:
 - RATING: 20V 7A
 - CONTACT RESISTANCE: 20mΩ MAX.(INITIAL), 30mΩ MAX.(FINAL)
 - DIELECTRIC WITHSTANDING VOLTAGE: 150V AC FOR ONE MINUTE.
 - INSULATION RESISTANCE: 100MΩ MIN. MEASURED BY 500 VDC
- MECHANICAL CHARACTERISTICS:
 - INSERTION FORCE: 3.0Kgf .
 - WITHDRAWAL FORCE: 0.35~3.0Kgf.
- LIFE TEST: 5,000 CYCLES.
- TO CONFORM TO SINGATRON HAZARDOUS SUBSTANCE FREE SPEC.
- HALOGEN FREE PRODUCT IDENTIFICATION MARK ON PRODUCT: (C)
- HALOGEN FREE PRODUCT IDENTIFICATION LOGO ON PACKAGING: (Logo)
- FOR REFLOW SOLDERING LEAD-FREE PROCESS.



The area can weld(comprehend Spring(-)&Shell)

NO	DESCRIPTION	QTY	MATERIAL	PLATING & COLOR																				
F	SPRING(+)	1	HIGH CONDUCTIVITY COPPER 0.20T	GOLD FLASH ON CONTACT																				
E	SPRING(-)	1	HIGH CONDUCTIVITY COPPER 0.25T	AREA; MATTE Sn 120u" ON SOLDER																				
D	SIGNAL	1	HIGH CONDUCTIVITY COPPER 0.30T	TAIL; ALL OVER Ni 50u" MIN..																				
C	SHELL	1	SUS 0.35T	Ni 50u"Min.																				
B	COVER	1	HIGH TEMP.THERMOPLASTIC UL 94V-0	BLACK																				
A	BODY	1	HIGH TEMP.THERMOPLASTIC UL 94V-0	BLACK																				
UNLESS OTHERWISE SPECIFIED TOLERANCES				Singatron Enterprise Co., Ltd. 																				
DECIMALS:				<table border="1"> <tr> <th>TITLE</th> <td colspan="3">DC POWER JACK</td> </tr> <tr> <td>DWN</td> <td>Yizhou</td> <td>PART NO. 2DC3225-001111F</td> <td></td> </tr> <tr> <td>CHKD</td> <td>Boye</td> <td>SCALE 4:1</td> <td>UNIT: mm</td> </tr> <tr> <td>APVD</td> <td>Liao</td> <td>SIZE: A3</td> <td>SHEET:1 OF 1 REV: B</td> </tr> <tr> <td colspan="4" style="text-align: center;">CUSTOMER COPY</td> </tr> </table>	TITLE	DC POWER JACK			DWN	Yizhou	PART NO. 2DC3225-001111F		CHKD	Boye	SCALE 4:1	UNIT: mm	APVD	Liao	SIZE: A3	SHEET:1 OF 1 REV: B	CUSTOMER COPY			
TITLE	DC POWER JACK																							
DWN	Yizhou	PART NO. 2DC3225-001111F																						
CHKD	Boye	SCALE 4:1	UNIT: mm																					
APVD	Liao	SIZE: A3	SHEET:1 OF 1 REV: B																					
CUSTOMER COPY																								
X	:±0.5	X	:±2°																					
X.X	:±0.3	X.X	:±1°																					
X.XX	:±0.2																							