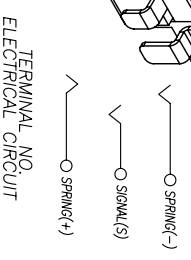
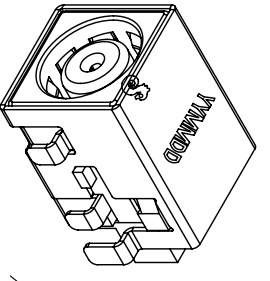
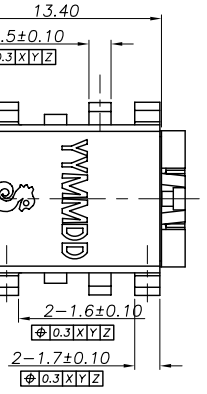


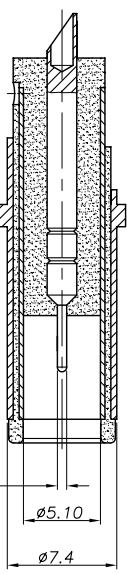
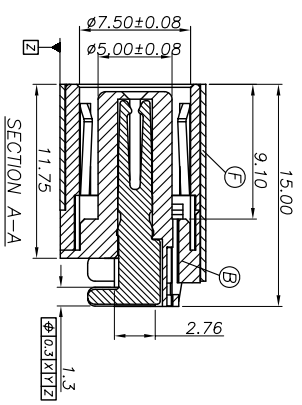
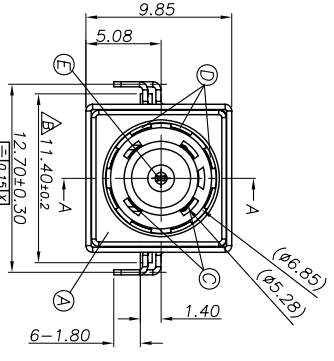
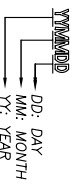
REV.	ECN NO OR DESCRIPTION	REVISED	DATE
A	PRODUCT RELEASE	LIPING	2012.02.08
B	ECN: C120186 MODIFY BODY	BILLY	2012.06.13



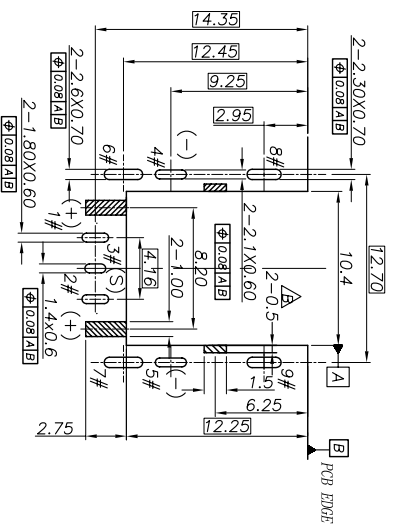
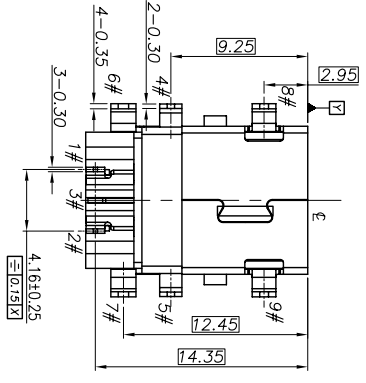
TERMINAL NO.
ELECTRICAL CIRCUIT

SPECIFICATIONS:

- ELECTRICAL CHARACTERISTICS:**
 - 1-1. RATING: 30V AC 10A
 - 1-2. CONTACT RESISTANCE: 30mΩ MAX (INITIAL)
 - 1-3. DIELECTRIC WITHSTANDING VOLTAGE: 500V AC FOR ONE MINUTE.
 - 1-4. INSULATION RESISTANCE: 100MΩ MIN. MEASURED BY 500 VDC
- MECHANICAL CHARACTERISTICS:**
 - 2-1. INSERTION FORCE : 3.0 KGF MAXIMUM.
 - 2-2. WITHDRAWAL FORCE : 0.3 KGF MINIMUM.
- LIFE TEST:** 5,000 CYCLES MIN.
- OTHER GENERAL SPEC.** TO REFER "2DC4001-000113F SERIES SPEC".
- TO CONFORM TO SINGATRON HAZARDOUS SUBSTANCE FREE SPEC.**
- HALOGEN FREE PRODUCT IDENTIFICATION MARK ON JACK:** Ⓢ
- HALOGEN FREE PRODUCT IDENTIFICATION LABEL ON PACKAGING:**
- FOR REFLOW SOLDERING LEAD-FREE PROCESS.**
- PRINTED DATE CODE "YMMDD" ON TOP OF CONNECTOR.**



MATING PLUG: OD ϕ 7.4 ; ID ϕ 0.6



RECOMMENDED P.C.B LAYOUT
TOP VIEW(Tolerance±0.05mm)

NO	DESCRIPTION	QTY	MATERIAL	PLATING & COLOR
F	SHIELDING	1	COPPER ALLOY 0.35t	Ni PLATING
E	SIGNAL	1	COPPER ALLOY 0.3t	Gold flash On Contact Area , 1000" Min. Tin Plated on Solder tail
D	SPRING(-)	1	COPPER ALLOY 0.3t	All over Nickel 60u" Min. Plated
C	SPRING(+)	1	COPPER ALLOY 0.3t	All over Nickel 60u" Min. Plated
B	COVER	1	HIGH TEMP. THERMOPLASTIC	BLACK UL 94V-0
A	HOUSING	1	HIGH TEMP. THERMOPLASTIC	BLACK UL 94V-0
NO	DESCRIPTION	QTY	MATERIAL	PLATING & COLOR



Singatron Enterprise Co., Ltd.
信登企業股份有限公司

DC Power Jack Sink Type

TITLE	DC Power Jack Sink Type
DWN	DRAWING NO. 20120713
CHKD	SCALE 2:1 UNIT: mm
APVD	SIZE: A3 SHEET: 1 OF 1 REV: B
DATE: 2012/07/13	
SHEET: 1 OF 1	
REV: B	

CUSTOMER COPY