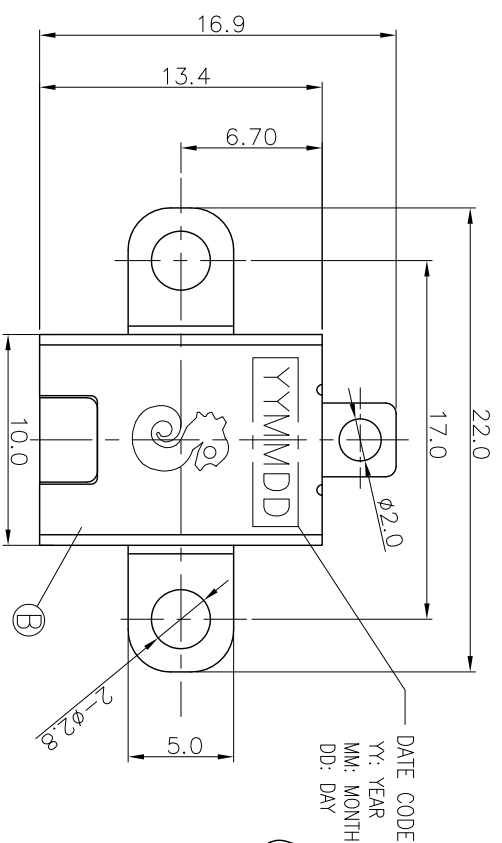
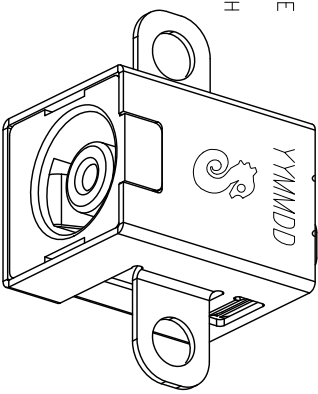
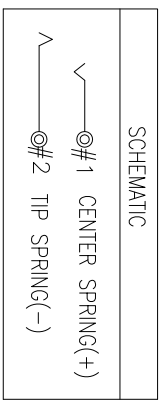
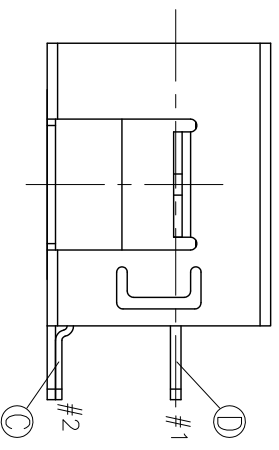
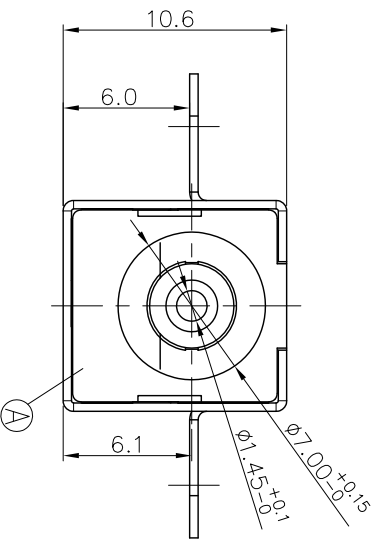


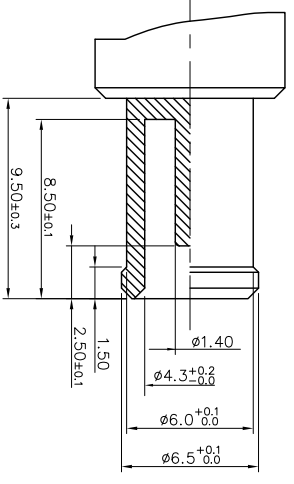
REV.	ECN NO OR DESCRIPTION	REVISED	DATE
A	PDR NO:T110713-1A	Summer	2010.08.03
B	ECN NO:S120105	SEAN	2012.03.19



DATE CODE
YY: YEAR
MM: MONTH
DD: DAY



- SPECIFICATIONS:
1. ELECTRICAL CHARACTERISTICS:
 1-1. RATING: DC 20V 5A
 1-2. CONTACT RESISTANCE: 30mΩ MAX. (INITIAL)
 1-3. DIELECTRIC WITHSTANDING VOLTAGE: 250V AC FOR ONE MINUTE.
 1-4. INSULATION RESISTANCE: 100MΩ MIN. MEASURED BY 250V DC.
2. MECHANICAL CHARACTERISTICS:
 2-1. INSERTION FORCE: 3.0kgf Max.
 2-2. WITHDRAWAL FORCE: 0.8~3.0kgf(initial), 0.5~3.0kgf(After) Life Test.
 3. LIFE TEST: 5000 CYCLES MIN.
4. OTHER GENERAL SPEC. TO REFER "2DC4002 SERIES SPEC".
 5. TO CONFORM TO SINGATRON HAZARDOUS SUBSTANCE FREE SPEC.
 6. HALOGEN FREE PRODUCT IDENTIFICATION MARK ON JACK:
 7. HALOGEN FREE PRODUCT IDENTIFICATION LABEL ON PACKAGING:



NO	DESCRIPTION	QTY	MATERIAL	PLATING & COLOR
D	CENTER SPRING	1	COPPER ALLOY 0.5t	GOLD FLASH ON CONTACT AREA SN 120μ" ON SOLDER TAIL ALL OVER NI 50μ"
C	TIP SPRING	1	COPPER ALLOY 0.25t	GOLD FLASH ON CONTACT AREA SN 120μ" ON SOLDER TAIL ALL OVER Ni50μ"
B	SHELL	1	COPPER ALLOY 0.4t	Ni 60μ"
A	BODY	1	HIGH TEMP PLASTIC, U94 V-0	BLACK
NO	DESCRIPTION	QTY	MATERIAL	PLATING & COLOR

Singatron Enterprise Co., Ltd.
信晉企業股份有限公司

DC POWER JACK

DECIMALS:	ANGLES:	TITLE	DC POWER JACK
X : ±0.5	X : ±2°	DWN	SEAN
X.X : ±0.3	X.X : ±1°	CHKD	TOM
X.XX : ±0.2		APVD	TONY

PART NO. 2DC4002-000005F

CUSTOMER COPY