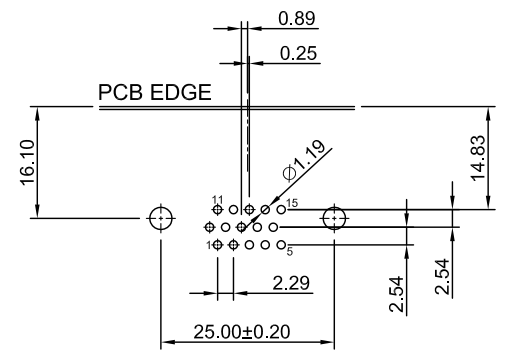
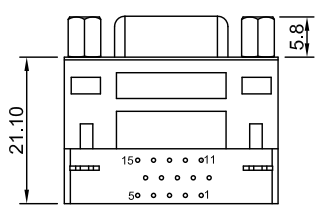
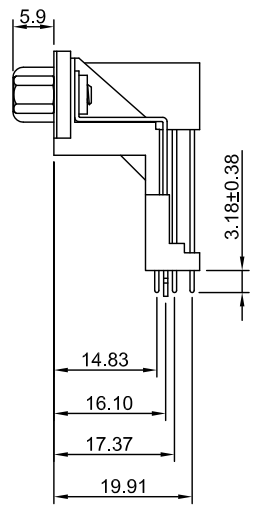
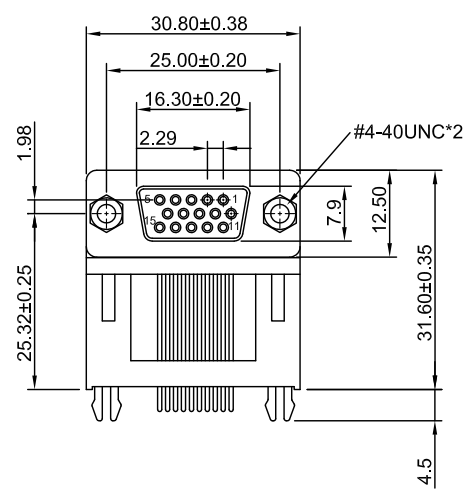


REV.	ECN.	DATE	DWN	APVD



MATERIAL:

INSULATOR : THERMOPLASTIC ,UL 94V-0.
 STANDARD : PBT.
 CONTACT : COPPER ALLOY
 CONTACT FINISH : GOLD OVER NICKEL.
 SHELL : STEEL, NICKEL PLATED.
 BOARDLOCK : BRASS, TIN PLATED
 RIVETED INSERT : BRASS, NICKEL PLATED

SPECIFICATION:

CURRENT RATING : 2 AMP.
 DIELECTRIC WITHSTANDING VOLTAGE : 1000V AC FOR 1 MINUTE.
 INSULATION RESISTANCE : 1000MΩ MIN. AT 500V DC.
 CONTACT RESISTANCE : 15mΩ MAX.
 OPERATING TEMPERATURE : -55°C ~ +105°C.

ORDER INFORMATION :

2DD9A - 15 0 1 9 B 1 2 6 - R
 1 2 3 4 5 6 7 8 9 10

- | | |
|----------------------------------------------------|-------------------------------------------------------------------------------------------------------------------------------------------|
| 1. SERIES:
2. POSITION:
15 = 15 PIN | 7. SHELL PLATING:
1= NICKEL |
| 3. CONTACT TYPE/MATERIAL:
0=FEMALE/COPPER ALLOY | 8. MOUNTING OPTIONS:
0=RIVET W/BOARDLOCK
2=RIVET W/O BOARDLOCK |
| 4. CONTACT PLATING:
1=SELECTIVE GOLD FLASH | 9. MATING OPTIONS:
0=4#40 THREADED RIVETED
1=FIXED HEX-SCREWS (4.8X11.8mm)
6=FIXED HEX-SCREWS (5.8X12.8mm)
7=LOOSE HEX-SCREWS |
| 5. INSULATOR COLOR:
1=BLACK
9=FOR PC99 COLOR | 10. GREEN PRODUCT:
R=RoHS COMPLIANT |
| 6. INSULATOR MATERIAL:
B=PBT
C=NYLON | |

Singatron Enterprise Co., Ltd.

GENERAL TOLERANCE X.X ± 0.25 X.XX ± 0.15 X.XXX ± 0.05 ANGLE TOLERANCE ± 1° RADIUS ± 0.25 HOLE ± 0.13

TITLE	HIGH DENSITY D-SUB HIGH RISE 15PIN		
DWN	MANDY06-18-2014	PART NO. 2DD9A-15019B126-R	
CHKD	SCALE 1:1	UNIT: mm	⊕ ↻
APVD	SIZE: A3	SHEET: 1 OF 1	REV: X.0
CUSTOMER COPY			