

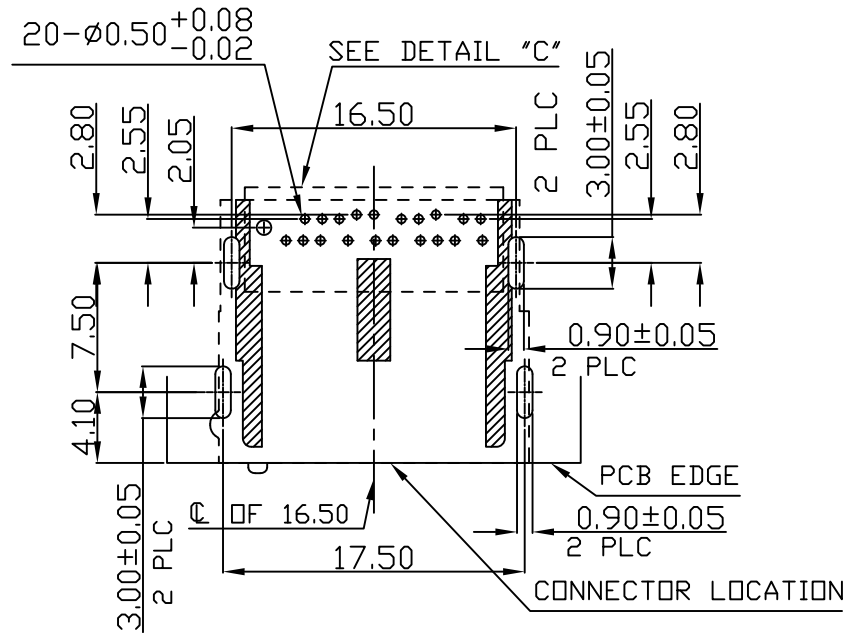
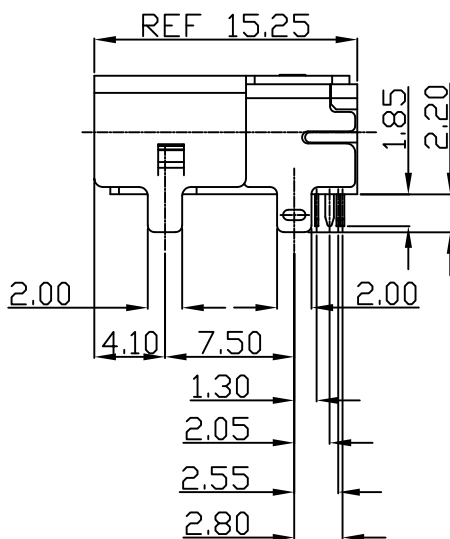
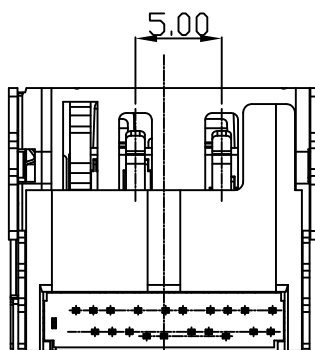
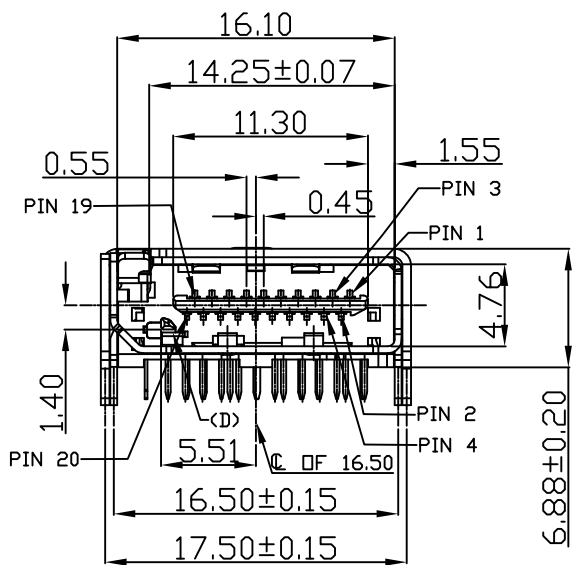
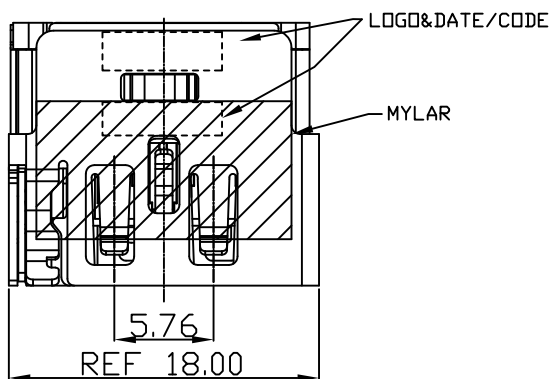
RoHS

NUMBER  
2DH002



METRIC

DIMENSIONS IN MILLIMETERS. DO NOT SCALE PRINT.



RECOMMENDED P.C.B.LAYOUT (THK=1.20MM)

TOP VIEW (TOLERANCES: ±0.05mm)

2	DESIGN CHANGE	ECN-130019	LT	SL	28NOV 2013
1	MYLAR CHANGE	-	LT	SL	05JUL 2012
0	-	-	SD	AW	15MAR 2011
LTR	REVISION RECORD	ECN	DWN	CHK	DATE

TOLERANCES UNLESS OTHERWISE SPECIFIED	DWN	L. TSENG	28-NOV-2013
0 PLC ±-	CHK	S. LU	28-NOV-2013
1 PLC ±0.38	APVD	T. CHIANG	28-NOV-2013
2 PLC ±0.25	PRODUCT SPEC	-	-
3 PLC ±0.13	APPLICATION SPEC	-	-
ANGLES ±3°	WEIGHT	-	-
MATERIAL	SEE NOTE	FINISH	SEE NOTE

30μ'	2DH002-216CRL		
15μ'	2DH002-215CRL		
G/F	2DH002-217CRL		
PLATING	PART NUMBER		
SINGATRON (U.S.A.)			
NAME Displayport / HDMI ,2 IN 1 R/A, STD, DIP, TYPE.			
LOC	SIZE	DRAWING NO	REV
DW	A3	2DH002	2
SCALE	--	SHEET	1 OF 2

NUMBER  
2DH002

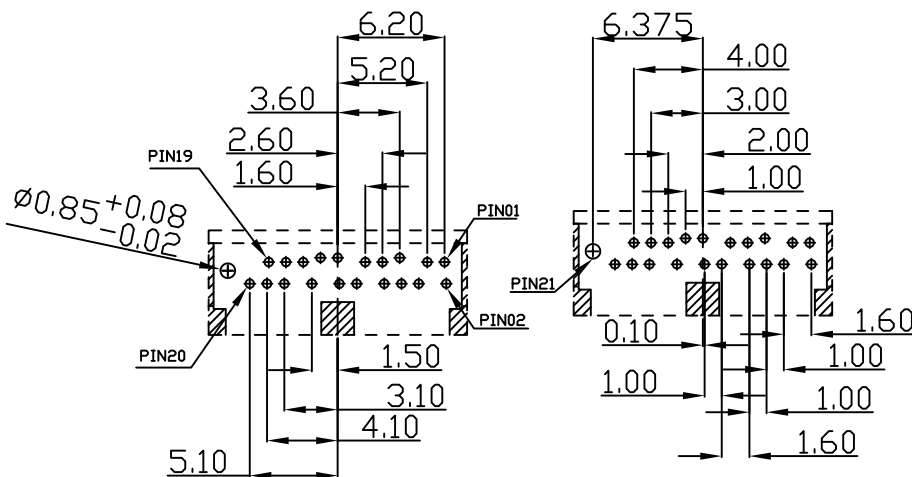


METRIC

NOTE: 1.MATERIAL:  
(A):HOUSING: THERMOPLASTIC, HIGH TEMP.  
(POLYPLASTICS E130i),UL94V-0;  
(C):CONTACTS: ALLOY COPPER ,  
(B):SHELL:STEEL.  
(D):LATCH:STEEL ,  
(E):DETAIL PIN:STEEL.  
2.FINISH:  
CONTACT:  
GOLD PLATING ON CONTACT AREA.  
2.54um(100 MIRCO) MIN. TIN PLATING ON SOLDER TAILS.  
1.27um(50 MIRCO) MIN. NICKEL UNDER PLATING OVER ALL.  
SHELL:  
1.27um(50 MIRCO) MIN. NICKEL OVERALL.  
DETAIL PIN:  
1.27um(50 MIRCO) MIN. NICKEL OVERALL.

HDMI		DISPLAYPORT	
PIN	SIGNAL NAME	PIN	SIGNAL NAME
1	TMDS Data2+	1	ML_LANE 0(p)
2	TMDS Data2 Shield	2	GND
3	TMDS Data2-	3	ML_LANE 0(n)
4	TMDS Data1+	4	ML_LANE 1(p)
5	TMDS Data1 Shield	5	GND
6	TMDS Data1-	6	ML_LANE 1(n)
7	TMDS Data0+	7	ML_LANE 2(p)
8	TMDS Data0 Shield	8	GND
9	TMDS Data0-	9	ML_LANE 2(n)
10	TMDS Clock+	10	ML_LANE 3(p)
11	TMDS Clock Shield	11	GND
12	TMDS Clock-	12	ML_LANE 3(n)
13	CEC	13	GND
14	reserved (in cable but N.C. on device)	14	GND
15	SCL	15	AUX CH (p)
16	SDA	16	GND
17	DDC/CEC GROUND	17	AUX CH (n)
18	+5V Power	18	Hot Plug Detect
19	Hot Plug Detect	19	Return
20		20	DP_PWR
21		21	

DIMENSIONS IN MILLIMETERS. DO NOT SCALE PRINT.



REV	DESCRIPTION	ECN	LT	SL	DATE
2	DESIGN CHANGE	ECN-130019	LT	SL	28NOV 2013
1	MYLAR CHANGE	-	LT	SL	05JUL 2012
0	-	-	SD	AW	15MAR 2011
LTR	REVISION RECORD	ECN	DWN	CHK	DATE

TOLERANCES UNLESS OTHERWISE SPECIFIED	DWN	L. TSENG
0 PLC ±-	CHK	28-NOV-2013
1 PLC ±0.38		S. LU
2 PLC ±0.25		28-NOV-2013
3 PLC ±0.13		
ANGLES ±3°		
MATERIAL	APVD	T.CHIANG
SEE NOTE	PRODUCT SPEC	28-NOV-2013
	APPLICATION SPEC	
SEE NOTE	WEIGHT	

30µ"	2DH002-216CRL
15µ"	2DH002-215CRL
G/F	2DH002-217CRL
PLATING	PART NUMBER
SINGATRON (U.S.A.)	
Displayport / HDMI ,2 IN 1 R/A, STD, DIP, TYPE.	
LOC DW	SCALE
SIZE A3	2DH002
DRAWING NO	REV 2
SHEET 2 OF 2	

PRINT DIST

8

7 C

6

5

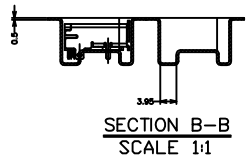
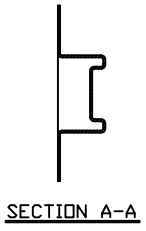
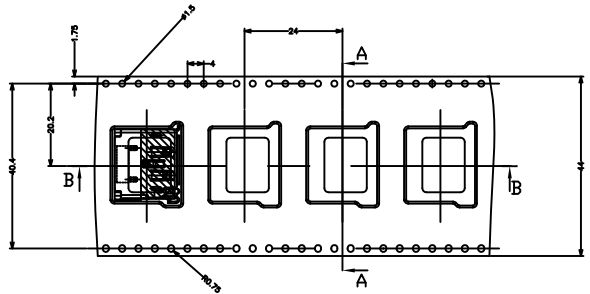
4

3

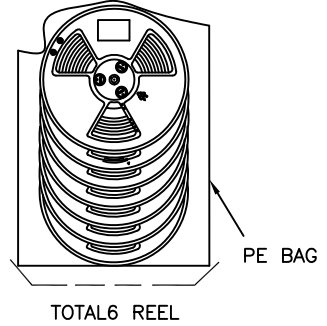
2

1

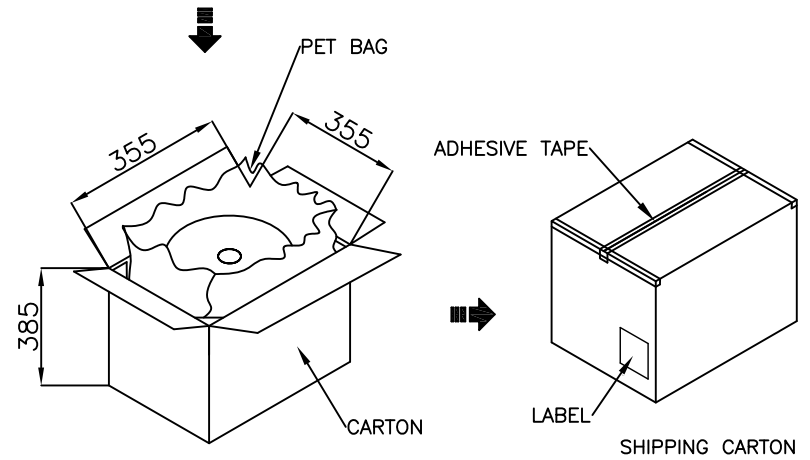
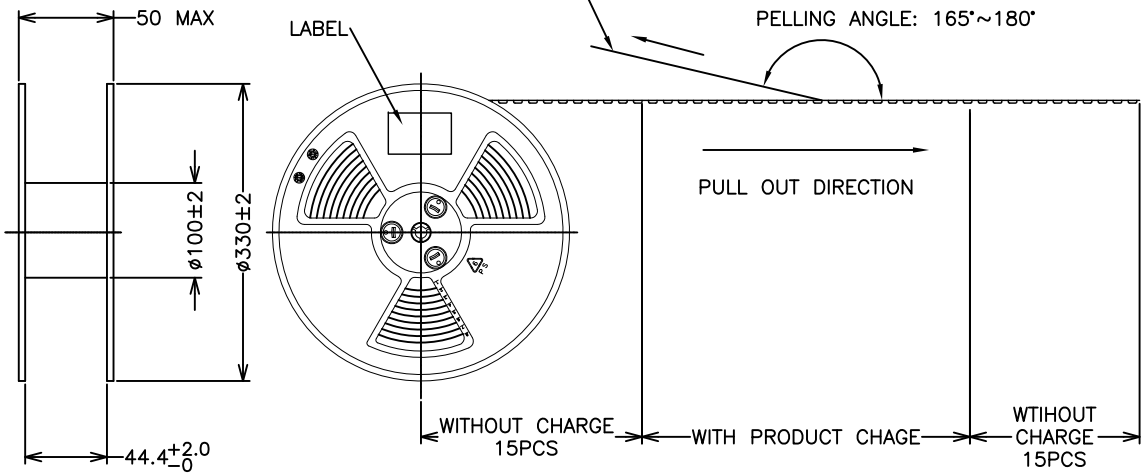
NUMBER 2DH002  
3RD ANGLE PROJECTION  
METRIC



- NOTE:
1. PEELING SPEED: 300mm/MINUTE
  2. PEELING RESISTANCE: 20g~130g
  3. PEELING ANGLE: 165° ~ 180°
  4. DIMENSION:  
INNER CARTON: L=355, W=355, H=385
  5. QUANTITY:  
250 PCS/REEL  
6 PCS REEL/SHIPPING CARTON  
1500 PCS/SHIPPING CARTON



AROUND THE OUTER PERIPHERY IN A TURE WEEDING THE COVER TAPE.



DIMENSIONS IN MILLIMETERS. DO NOT SCALE PRINT.

PRINT DIST  
DW

2	DESIGN CHANGE	ECN-130019	LT	SL	28NOV 2013
1	MYLAR CHANGE	-	LT	SL	05JUL 2012
0	FIRST RELEASED	-	SD	AW	10SEP 2010
LTR	REVISION RECORD	ECN	DWN	CHK	DATE

TOLERANCES UNLESS OTHERWISE SPECIFIED		APV	L. TSENG	SINGATRON (U.S.A.)
0 PLC	±-	CHK	28-NOV-2013	
1 PLC	±0.38	S. LU		NAME
2 PLC	±0.25	28-NOV-2013		
3 PLC	±0.13	T. CHIANG		Displayport / HDMI ,2 IN 1 R/A, STD, DIP, TYPE.
ANGLES	±3°	28-NOV-2013		
MATERIAL		APVD	REV	
SEE NOTE		PRODUCT SPEC	2	
FINISH		APPLICATION SPEC	LOC SIZE DRAWING NO	
SEE NOTE		WEIGHT	DW A3 2DH002	
			SCALE SHEET	
			-- 2 OF 2	