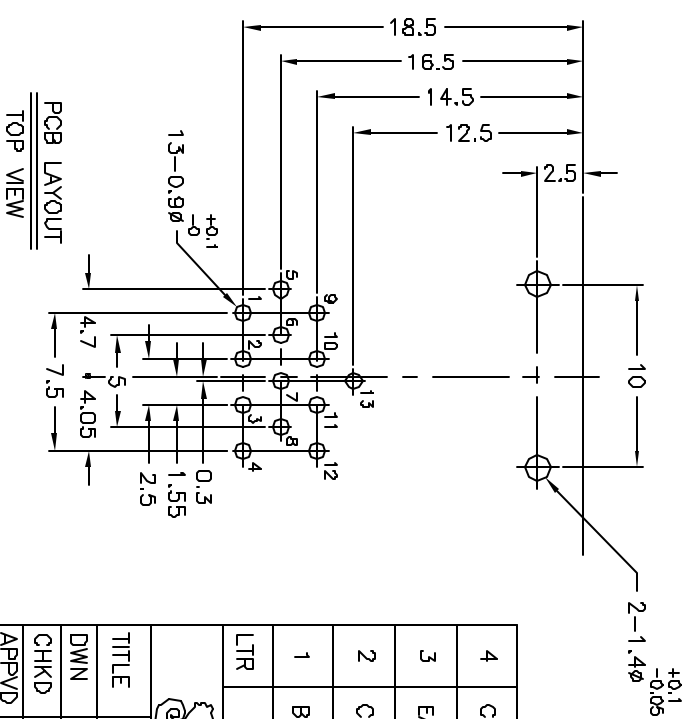
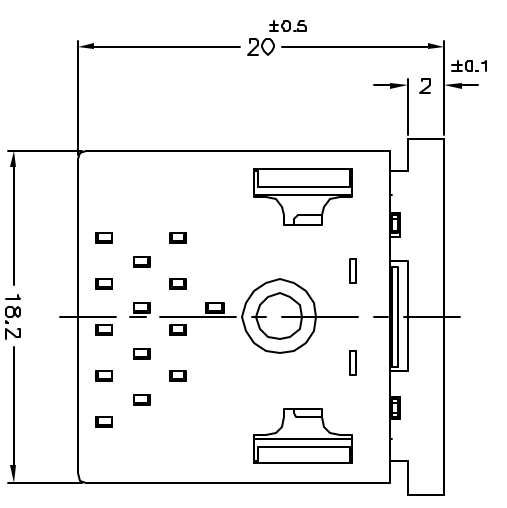



SPECIFICATIONS:
 1. SEE 2DJ-050 SERIES SPECIFICATIONS.
 2. JACK UNLESS OTHERWISE SPECIFIED TOLERANCE ARE: ±0.3mm/m.



4	CONTACTOR	13	PHOSPHOR BRONE 0.2t GOLD FLASH 5 ² μ
3	EARTH	1	PHOSPHOR BRONE 0.25t GOLD FLASH 5 ² μ
2	COVER	1	PBT UL 94V-0 BLACK COLOR
1	BODY	1	PBT UL 94V-0 BLACK COLOR
LTR	PART NAME	QTY	MATERIAL & SPEC
 Singatron Enterprise Co., Ltd. 信晉企業股份有限公司			
TITLE 13 PIN DIN CONNECTOR			
DWN	EVEN 9/26-'00	UNT: MM	CAD NO. D050A-A5
CHKD	SAM 9/28-'00	SCALE: 3/1	
APP'VD	FRANK 9/26-'00	SIZE: B4	DWG NO. 2DJ-050A0001