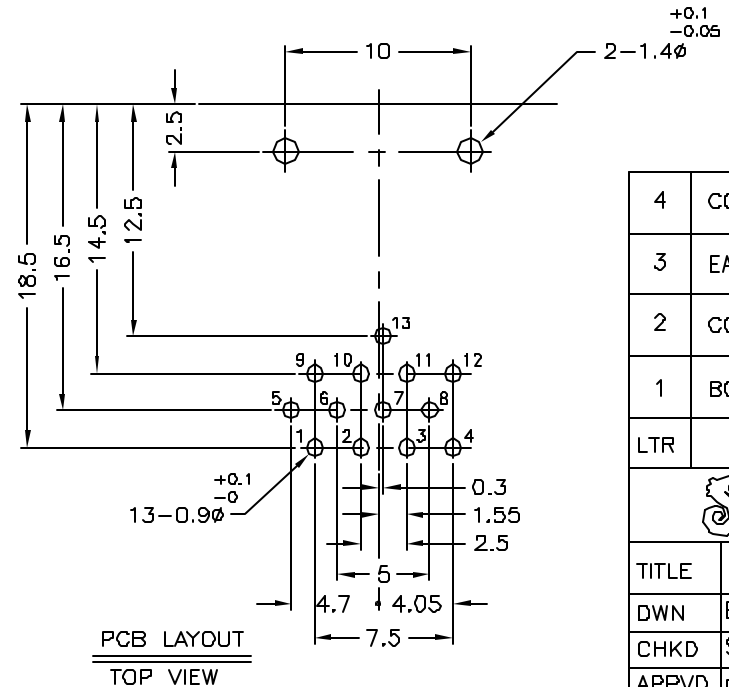
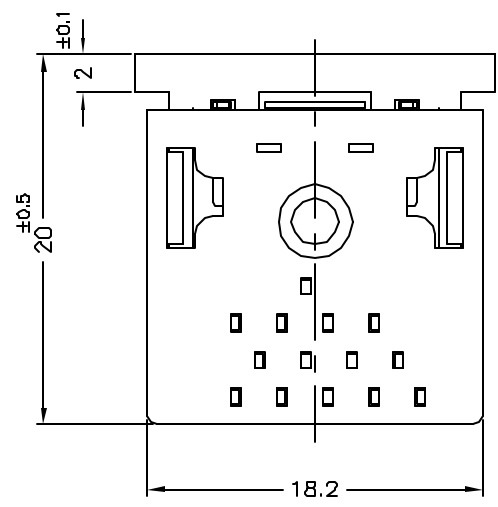


SPECIFICATIONS:  
 1.SEE 2DJ-050 SERIES SPECIFICATIONS.  
 2.JACK UNLESS OTHERWISE SPECIFIED TOLERANCE ARE: ±0.3m/m.

TEXTURE



PCB LAYOUT  
TOP VIEW

4	CONTACTOR	13	PHOSPHOR BRONE 0.2t SILVER PLATING
3	EARTH	1	PHOSPHOR BRONE 0.25t SILVER PLATING
2	COVER	1	PBT UL 94V-0 BLACK COLOR
1	BODY	1	PBT UL 94V-0 BLACK COLOR
LTR	PART NAME	QTY	MATERIAL & SPEC

Singatron Enterprise Co., Ltd.  
 信音企業股份有限公司

TITLE	13 PIN DIN CONNECTOR		
DWN	EVEN 9/26-'00	UNIT: MM	CAD NO.
CHKD	SAM 9/26-'00	SCALE: 3/1	DJ-050-A
APPVD	FRANK 9/26-'00	SIZE: B4	DWG NO.

NW NO. 2DJ-050A0003  
 OLD NO. DJ-050-A