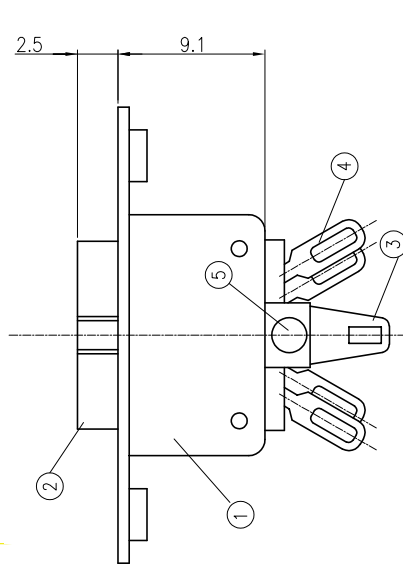
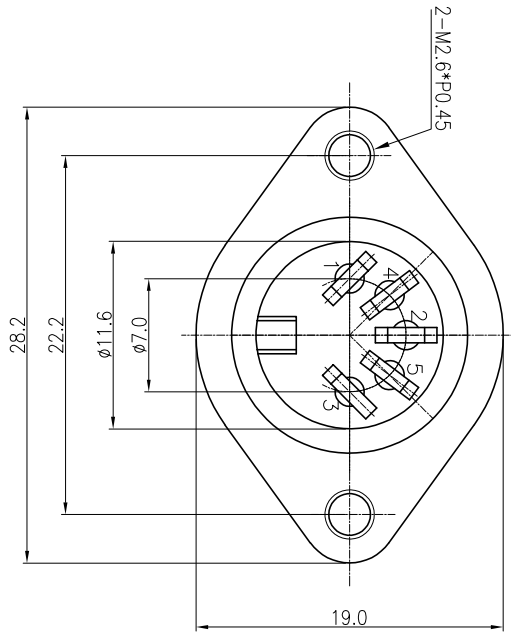
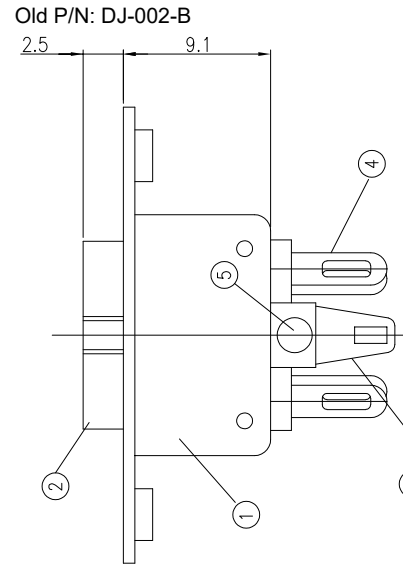


RoHS
Compliant

ARRANGEMENT OF CONTACTS					
NO OF CONTACTS	4	5	6	7	8
MODEL NO	2DJ-07400000	2DJ-07500000	2DJ-07600000	2DJ-07700000	2DJ-07800000



2DJ-07500000
Old P/N: DJ-002-B



2DJ-07400000,2DJ-07600000,2DJ-07700000,2DJ-07800000

SPECIFICATIONS:

1. CONTACT RESISTANCE : 20m OHM MAX.
2. INSULATION RESISTANCE : 300M OHM MIN. AT DC 500V.
3. VOLTAGE WITHSTANDING : AC 1000V FOR ONE MINUTE.
4. INSERTION FORCE : 4.0KG MAX.
5. WITHDRAWAL FORCE : 1 - 3.5KG.
6. Unless other specified, the tolerance is ± 0.2 mm

P/N	PART NAME	QTY	MATERIAL	PLATING	REMARKS
5	RIVET	1	AL	NI PLATED	
4	CONTACT TERMINAL	4~8	BRASS 0.7t	TIN PLATED	
3	EARTH TERMINAL	1	PBSR 0.25t	TIN PLATED	
2	HOUSING	1	PBT 4830	UL 94V-0	
1	SOCKET CASE	1	SPCC 0.8t	NI PLATED	

UNLESS OTHERWISE
SPECIFIED TOLERANCES

DECIMALS: X : ± 0.5
X.X : ± 0.3
X.XX : ± 0.2
ANGLES: X : $\pm 2^\circ$
X.X : $\pm 1^\circ$

Singatron Enterprise Co., Ltd.

TITLE	4~8PIN DIN SOCKET			
DWN	PAUL YU 20191030	PART NO. 2DJ-07x00000		
CHKD	ARIC	SCALE 1:1	UNIT: mm	
APVD	YC.H	SIZE: A3	SHEET: 1 OF 1	REV: A
CUSTOMER COPY				