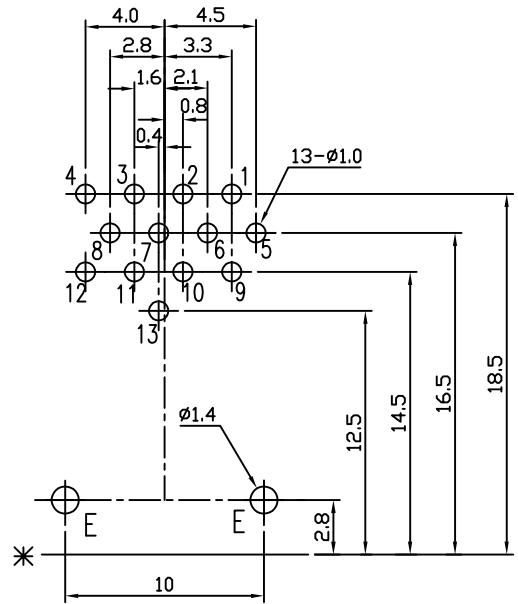
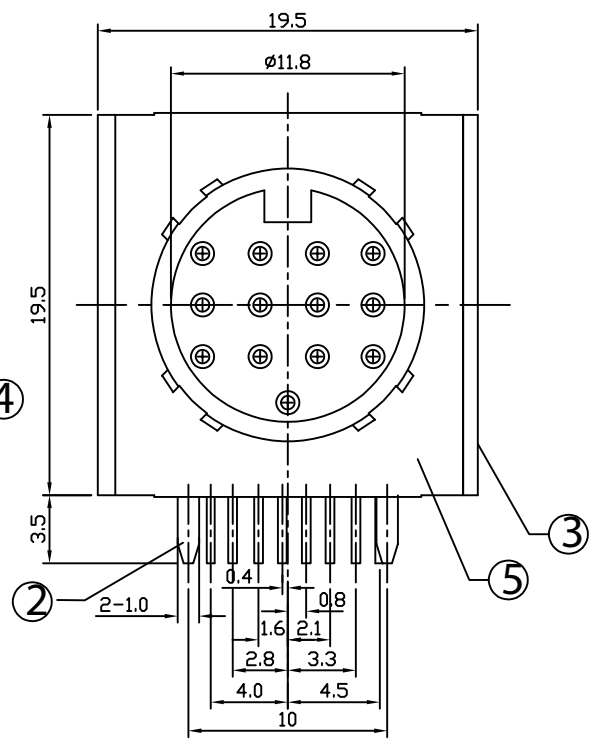
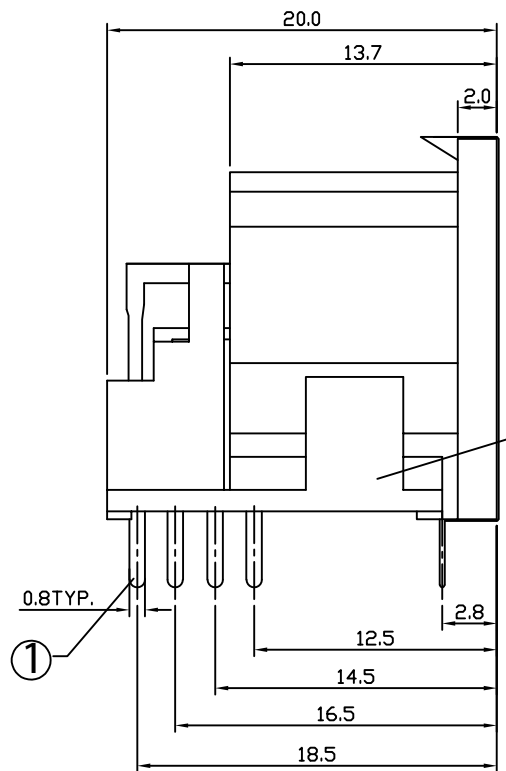
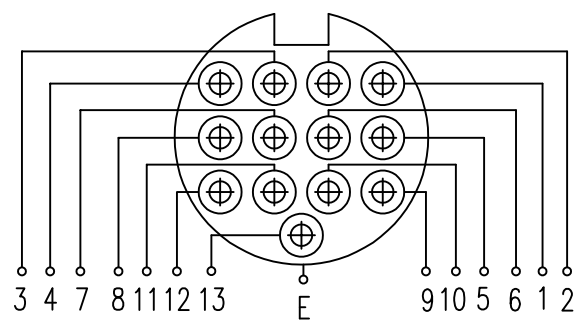


* REVISIONS				
LTR	DESCRIPTION	DATE	REVISED	APPROVED



T:1.6 Dimensions of PC board holes
Tolerance : ±0.05(Printed-top view)



SCHEMATIC DIAGRAM

UNLESS OTHERWISE SPECIFIED, TOLERANCE ON DECIMAL: ±0.3

5	SEALED PLATE	1	C2680 t=0.2	Cu/Sn PLATED
4	COVER	1	PBT 4815	UL-94V0
3	HOUSING	1	PBT 4815	UL-94V0
2	GROUND CONTACT	1	C5191 t=0.25	Ag PLATED
1	TERMINAL	13	C5191 t=0.15	Ag PLATED
LTR	PART NAME	QTY	MATERIAL	REMARK

Singatron Enterprise Co., Ltd.

LEAD FREE

TITLE	13pin din jack with shield			
DWN	LILY2017.06.03	PART NO.	2DJ-DS101S	
CHKD	ANDY2017.06.03	SCALE	1:1	UNIT: mm
APVD	JON2017.06.03	SIZE	A3	SHEET: 1 OF 1 REV: 001

CUSTOMER COPY