

REV.	ECN.NO.	DATE
A	RELEASED	06/11-'09
E	Shell material changes	10/29-'12
F	Modify Drawing	01/23-'15

Pin No.	Signal Type	Pin No.	Signal Type
1	In	11	GND
2	GND	12	In
3	In	13	CONFIG(see note 1)
4	In	14	CONFIG(see note 1)
5	GND	15	I/O
6	In	16	GND
7	In	17	I/O
8	GND	18	Out
9	In	19	RTN
10	In	20	Power Out(see note 2)

**NOTES:**

**\*Material**

Housing: LCP, UL94V-0 Rated;Color:Black.  
 Shield: Brass.  
 Plating: Ni(40u" Min.) Plating .  
 Contact: Brass.  
 Plating: Au plating on contact area;  
 Sn(100u" Min.) plating on solder tail;  
 Ni(40u" Min.) underplating overall.

**\*Electrical Specification**

Operation Voltage: 40 VAC max.  
 Current Rating: 0.5 Ampere per contact  
 Contact Resistance: 30 Milliohms max.  
 Insulation Resistance: 100 Megohms min.  
 Dielectric Withstanding Voltage: 500 VDC

**\*Environmental**

Operating Temperature: -20°C to +85°C

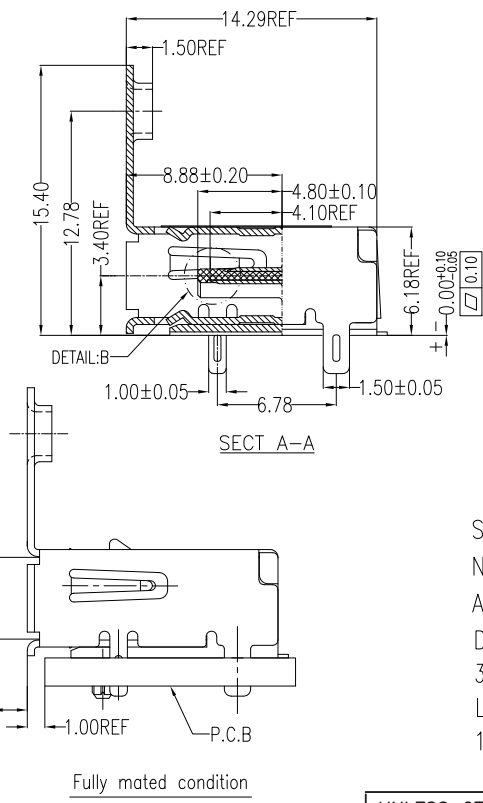
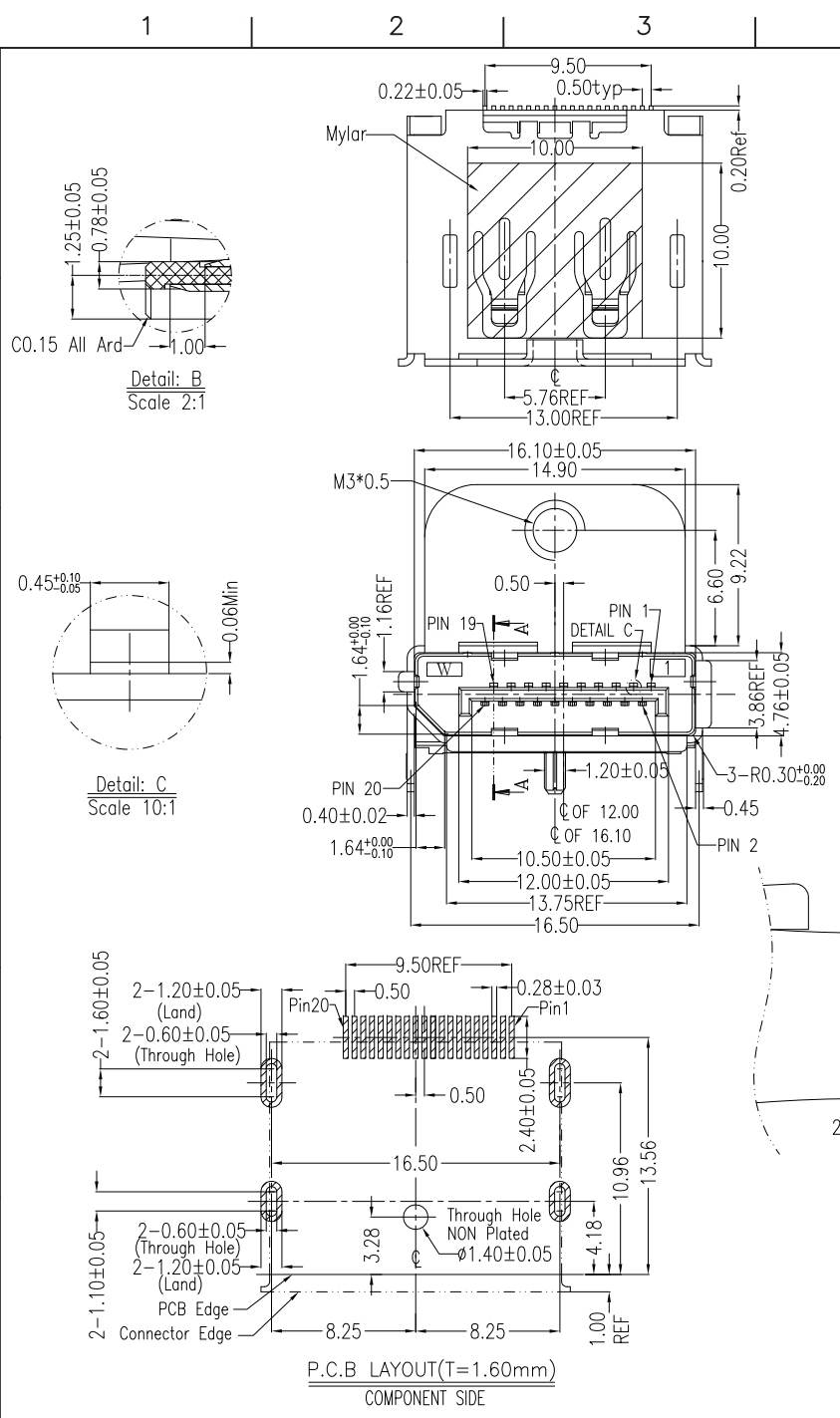
**\*Mechanical**

Female Screw Lock Torque:3Kgf-cm Max.

**\*How To Order**

2DPE-20F3L1BFH 3

Series NO. \_\_\_\_\_ 3:Tray 5:Reel  
 Number of Contacts \_\_\_\_\_ Blank:No Mark  
 Au A:>0.8u" \_\_\_\_\_ H:Halogen Free  
 D:15u" F:30u" \_\_\_\_\_ +RoHS-Compliance  
 3: SMT Type \_\_\_\_\_ U:Lead Free  
 L:LCP \_\_\_\_\_ F:With Flange  
 1:Black \_\_\_\_\_ (With Mylar)  
 \_\_\_\_\_ B:Brass



UNLESS OTHERWISE SPECIFIED TOLERANCES		Singatron Enterprise Co., Ltd. 信音企業股份有限公司	
DECIMALS:	ANGLES:	TITLE	DisplayPort Receptacle (Female) SMT Type(With Flange)
X :±0.5	X :±2°	DWN	Sam 01/23-'15 PART NO. 2DPE-20PS-AN-N43
X.X :±0.3	X.X :±1°	CHKD	Roeh 01/23-'15 SCALE 1:1 UNIT: mm
X.XX :±0.2		APVD	Roger 01/30-'15 SIZE: A3 SHEET:1 OF 1 REV: F
<b>CUSTOMER COPY</b>			