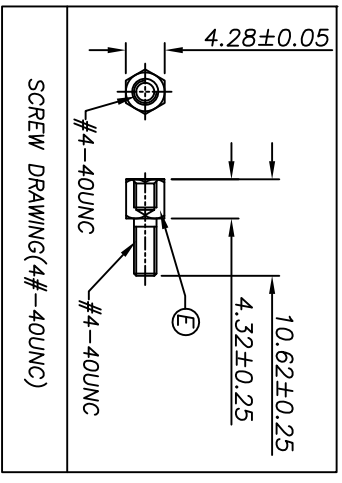
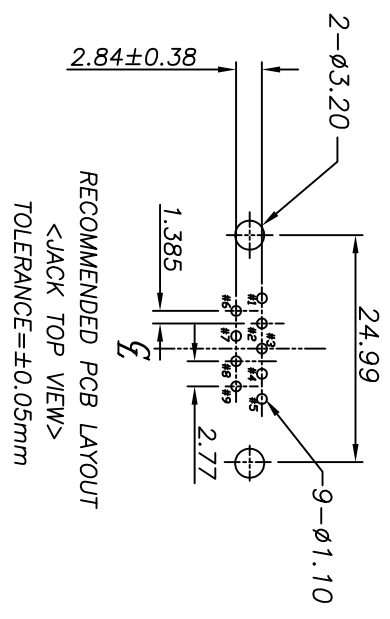
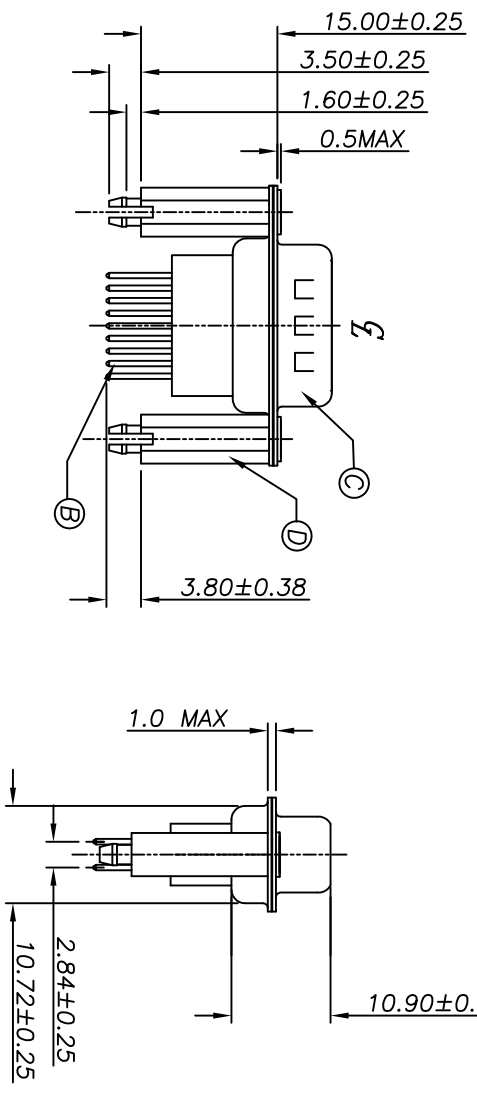
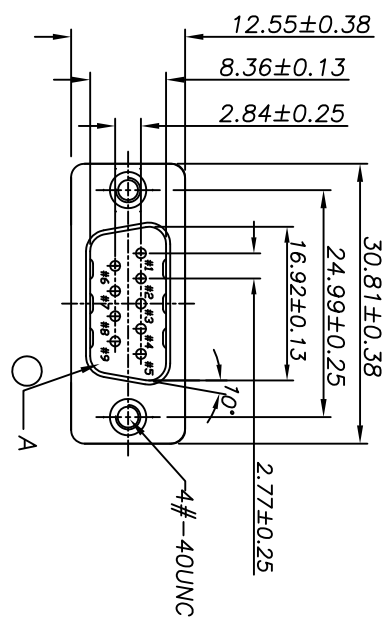


REV.	ECN NO OR DESCRIPTION	REVISED	DATE
A	ECN NO: L110078 2DS1528-000111->2DS1528-002111 Date: 2DS1528-000111&2DS1528-001111	REV-C	2011.07.20

PART NO. 2DS1528-002111

PACKAGE
1: TRAY
HOUSING COLOR
1: BLACK
CONTACT PLATING
1: GOLD FLASH ON MATING AREA
TIN 100u" PLATING ON SOLDER TAILS.
2: WITH SCREW IN LOCK



SPECIFICATIONS

- Contact Current Rating: 3 Amperes.
- Dielectric Withstanding Voltage: AC 1000/60sec.r.m.s.
- Insulation Resistance: 5000 Medohms Minimum.at DC 500V.
- Contact Resistance: 25 Milliohms Maximum.
- Operating Temperature: -55°C to +105°C.
- Contact Insertion Force: 4.5 kgf MAX
- Contact Separation Force: 0.33 kgf MIN, 2.7kgf MAX
- Grounding Screw Torque: 3 Kg-Minimum.
- SOLDER HEAT RESISTANCE: WAVE SOLDERING 260°C 10 SECS.
- TO CONFORM TO THE "SINGATRON HSF SPECIFICATION"
- GREEN PRODUCT IDENTIFICATION LABEL IN PACKING: **G.P. PASS**
- SEE "D-SUB(9 PIN) PRODUCT SERIES" SPECIFICATION

NO	DESCRIPTION	QTY	MATERIAL	PLATING & COLOR
E	SCREW	2	COPPER ALLOYS	NI PLATING
D	BOARD LOCK	2	COPPER ALLOYS	TIN 100u" PLATING
C	SHELL	2	SPCC 0.4t	TIN 100u" PLATING
B	CONTACT	9	BRASS 0.2t	GOLD FLASH ON MATING AREA TIN 100u" PLATING ON SOLDER TAILS
A	HOUSING	1	PBT UL 94V-0	BLACK COLOR

UNLESS OTHERWISE SPECIFIED TOLERANCES

DECIMALS: ANGLES:
X : ±0.5 X : ±2°
X.X : ±0.3 X.X : ±1°
X.XX : ±0.2

TITLE: D-SUB CONNECTOR CRIMP TYPE

Singatron Enterprise Co., Ltd.
信音企業股份有限公司

DWN: H-C 2011.07.20 PART NO. 2DS1528-002111
CHKD: DMM-F 2011.07.20 SCALE: N/A UNIT: mm
APVD: DMM-F 2011.07.20 SIZE: A3 SHEET: 1 OF 1 REV: A

CUSTOMER COPY