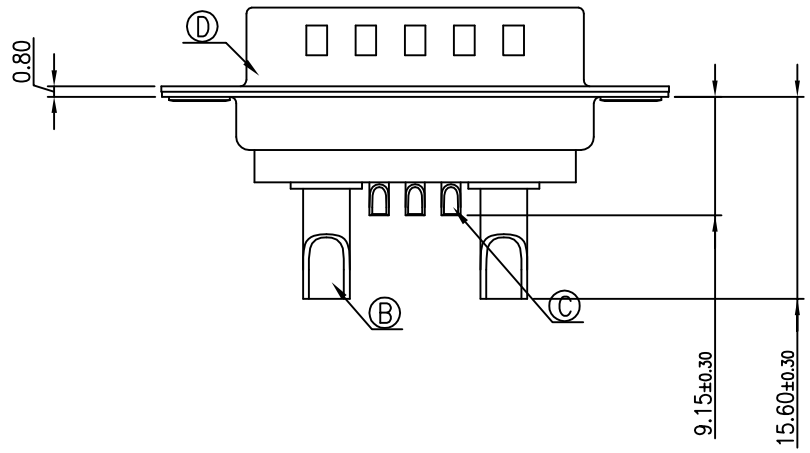
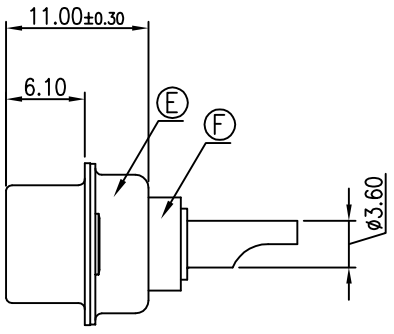
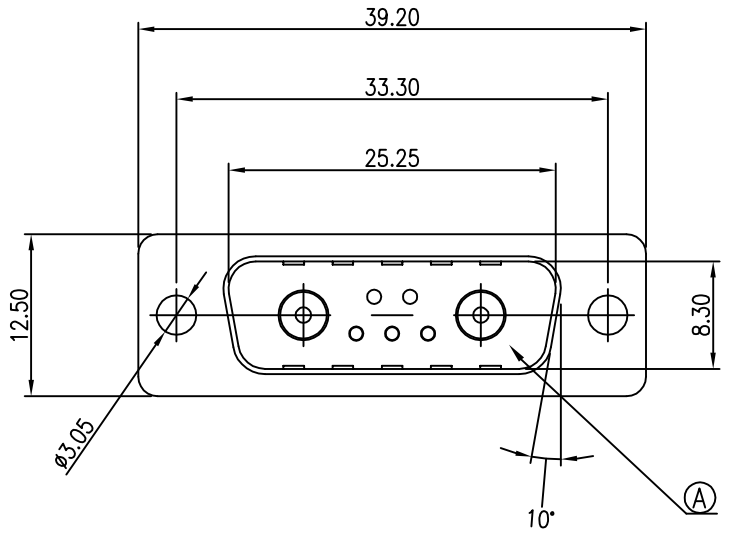


REV.	ECN NO OR DESCRIPTION	REVISED	DATE
A	PDR RELEASE	IVY-C	2015.05.27



- SPECIFICATIONS:
- ELECTRICAL CHARACTERISTICS:
 - 1-1. HIGH POWER CONTACT CURRENT RATING: 20.0A
 - 1-2. HIGH POWER CONTACT RESISTANCE: 1.0 mohm MAX.
 - 1-3. SIGNAL CONTACT CURRENT RATING: 5.0A
 - 1-4. SIGNAL CONTACT RESISTANCE: 10 mohm MAX.
 - 1-5. DIELECTRIC WITHSTANDING VOLTAGE: 1,000V AC FOR 1 MINUTE.
 - 1-6. INSULATION RESISTANCE: 5000Mohm MINIMUM AT DC 500V
 - TEMPERATURE RATING: -55°C ~ +125°C
 - TO CONFORM TO SINGATRON HAZARDOUS SUBSTANCE FREE SPEC.
 - GREEN PRODUCT IDENTIFICATION LABEL ON PACKAGING: **RoHs**
 - PACKAGE: SEE "2DS1601-000111H" PACKAGE.
 - OTHER GENERAL SPEC. TO REFER "2DS1601-000111H SPEC".

F	BODY-2	1	PBT+GF30%(UL94V-0)	BLACK COLOR
E	BACK SHELL	1	STEEL	TIN PLATED
D	FRONT SHELL	1	STEEL	TIN PLATED
C	SIGNAL CONTACT	3	COPPER ALLOY	GOLD PLATED
B	HIGH POWER CONTACT	2	COPPER ALLOY	GOLD PLATED
A	BODY-1	1	PBT+GF30%(UL94V-0)	BLACK COLOR
NO	DESCRIPTION	QTY	MATERIAL	PLATING & COLOR
UNLESS OTHERWISE SPECIFIED TOLERANCES			Singatron Enterprise Co., Ltd. 信音企業股份有限公司	
DECIMALS:		ANGLES:	TITLE	
X	:±0.5	X	:±2°	(2+3)PIN D-SUB MALE(SOLDER TYPE)
X.X	:±0.3	X.X	:±1°	DWN <i>W-C 2015.05.27</i> PART NO.2DS1601-000111H
X.XX	:±0.2			CHKD <i>WZL/A 2015.05.27</i> SCALE 2:1 UNIT: mm
				APVD <i>WZL/A 2015.05.27</i> SIZE: A3 SHEET:1 OF 1 REV: A
CUSTOMER COPY				