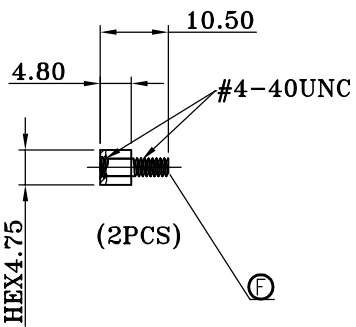
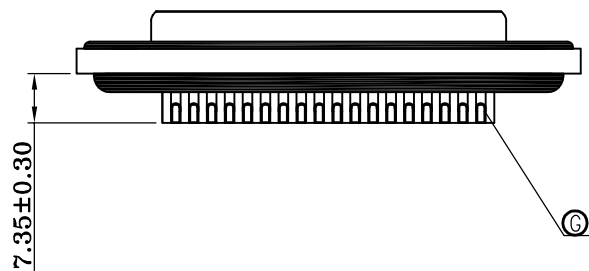
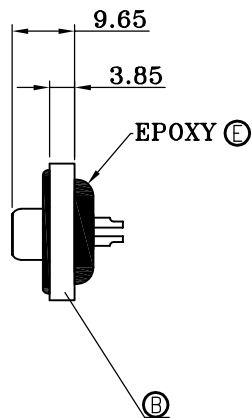
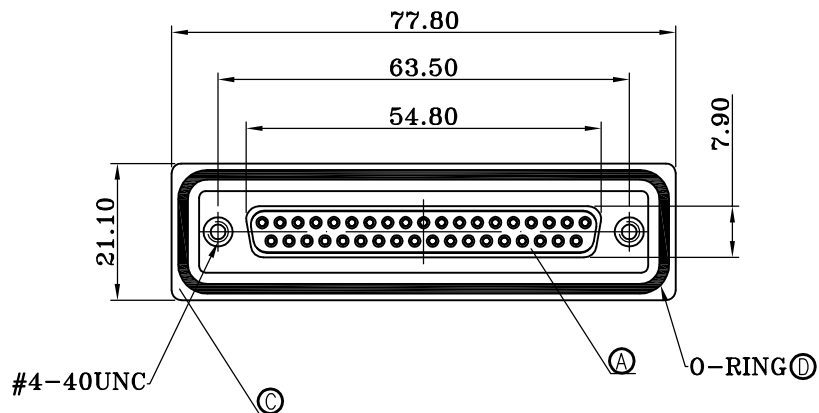


REV.	ECN NO OR DESCRIPTION	REVISED	DATE
A	PDR RELEASE	IVY-C	2015.12.31



SPECIFICATIONS:

1. ELECTRICAL CHARACTERISTICS:

- 1-1 SIGNAL CONTACT CURRENT RATING : 5.0 A
- 1-2 SIGNAL CONTACT RESISTANCE : 10 mΩ MAX.
- 1-3 DELECTRIC WITHSTANDING VOLTAGE : 1000 V FOR 1 MINUTE
- 1-4 INSULATION RESISTANCE : 5GΩ MIN.
- 1-5 TEMPERATURE RATING : -25°C ~+85°C
- 1-6 DEGREE OF PROTECTION : IP67 ACCORDING TO IEC60529
- 2. TO CONFORM TO SINGATRON HAZARDOUS SUBSTANCE FREE SPEC.
- 3. GREEN PRODUCT IDENTIFICATION LABEL ON PACKAGING: **RoHs**
- 4. PACKAGE: SEE "2DS1603-000111H" PACKAGE.

G	SIGNAL CONTACT	37	COPPER ALLOY	GOLD PLATED
F	SCREW	2	STAINLESS STEEL	
E	SEALING COMPOUND	1	EPOXY	
D	O-ring	1	SILICONE	
C	SHELL	1	STEEL	TIN PLATED
B	INSULATOR	1	PBT GF(UL 94V-0)	BLACK COLOR
A	WATERTIGHT FRAME	1	PBT GF(UL 94V-0)	BLACK COLOR
NO	DESCRIPTION	QTY	MATERIAL	PLATING & COLOR
UNLESS OTHERWISE SPECIFIED TOLERANCES		Singatron Enterprise Co., Ltd. 信音企業股份有限公司		
DECIMALS: ANGLES:		TITLE: D-SUB FEMALE(SOLDER TYPE)		
X	:±0.5	X	:±2°	DWN <i>IV-C 2015.12.31</i> PART NO.2DS1603-000111H
X.X	:±0.3	X.X	:±1'	CHKD <i>ANGELA 2015.12.31</i> SCALE: 2:1 UNIT: mm
X.XX	:±0.2	APVD <i>ANGELA 2015.12.31</i> SIZE: A3 SHEET: 1 OF 1 REV: A		
CUSTOMER COPY				