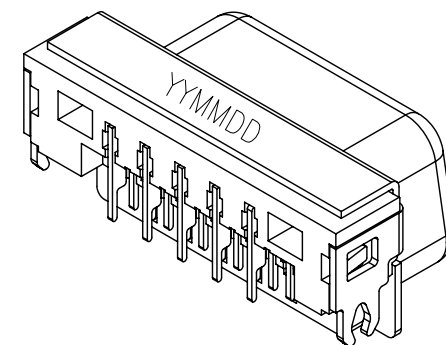
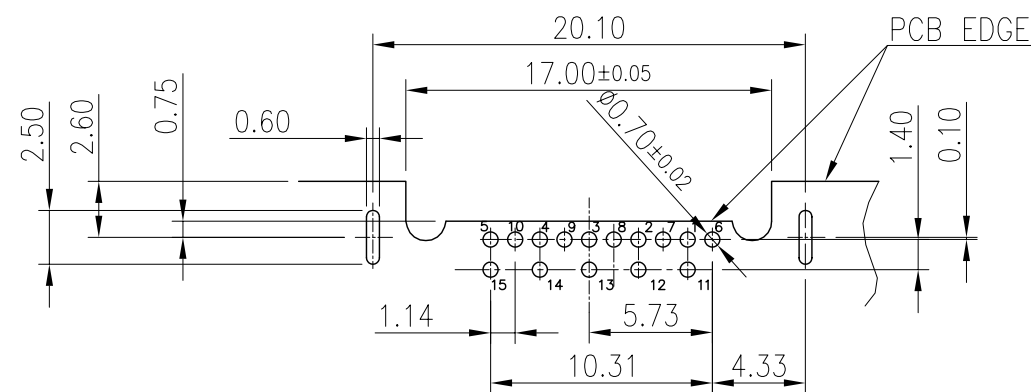
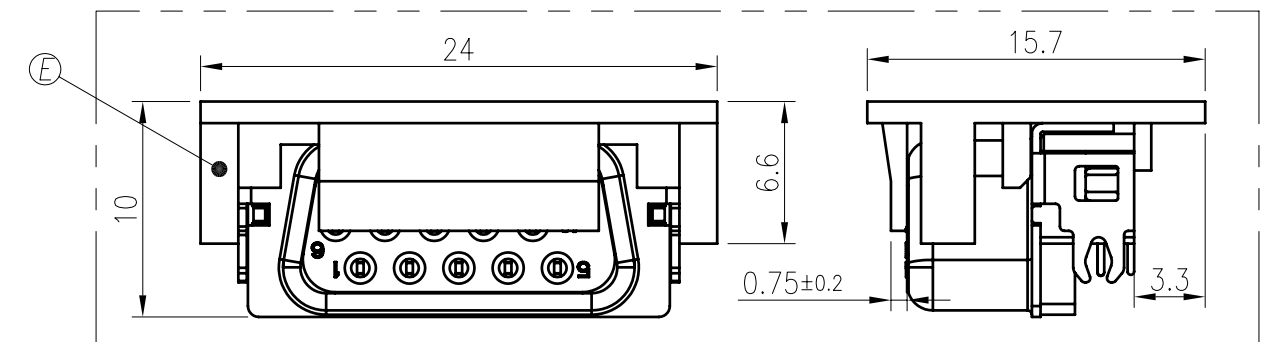
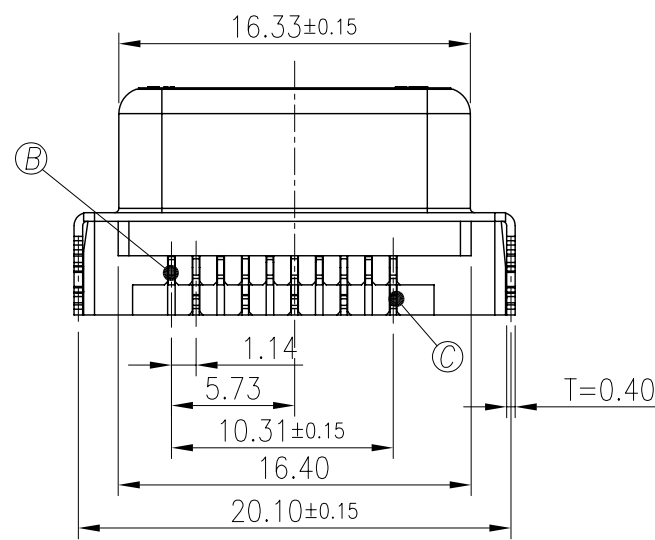
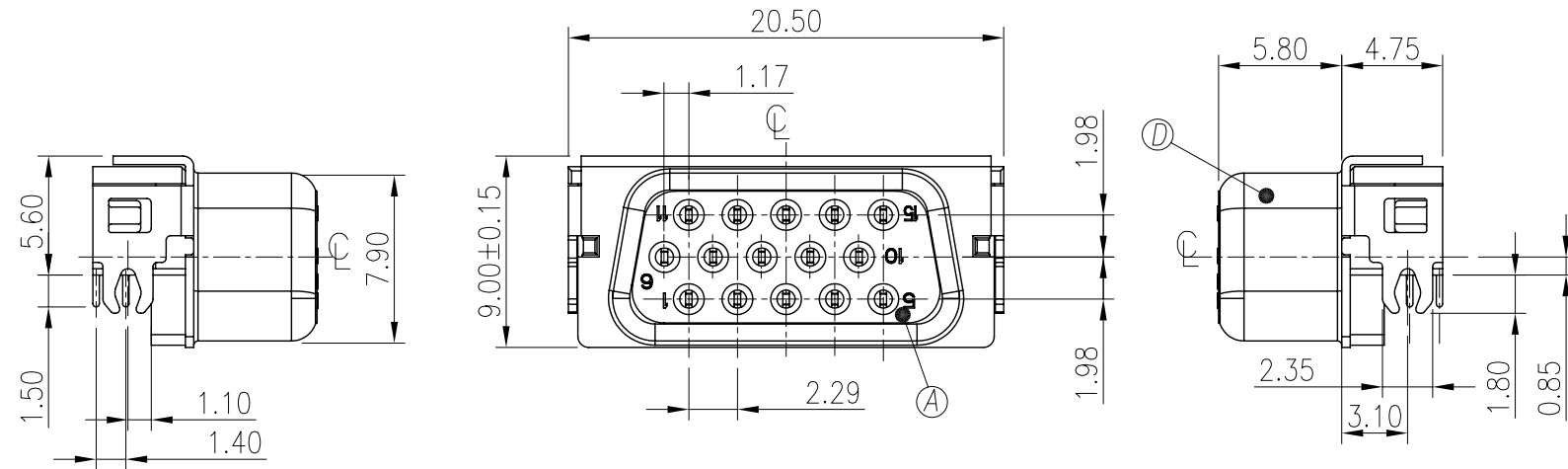


| | | | |
|------|-----------------------|---------|----------|
| REV. | ECN NO OR DESCRIPTION | REVISED | DATE |
| A | PRODUCT RELEASE | Cheney | 16.04.28 |

SPECIFICATIONS:

- ELECTRICAL CHARACTERISTICS:
 - 1-1. RATING: 24 VDC, 3A .
 - 1-2. CONTACT RESISTANCE: 25 MILLIOHMS MAX. FOR INITIAL. 50 MILLIOHMS MAX. AFTER 5,000 CYCLES.
 - 1-3. INSULATION RESISTANCE: 1,000 MEGAOHMS MIN. AT 500 VDC.
 - 1-4. DIELECTRIC WITHSTANDING VOLTAGE: 1,000 VAC FOR ONE MINUTE.
- MECHANICAL CHARACTERISTICS:
 - 2-1. INSERTION FORCE :4.5 KGF MAX.
 - 2-2. WITHDRAWAL FORCE :0.5 KGF MIN.
- LIFE TEST: 5,000 CYCLES MIN.
- OTHER GENERAL SPEC. TO REFER "2DS2020-000112F SPEC".
- TO CONFORM TO SINGATRON HAZARDOUS SUBSTANCE FREE SPEC.
- HALOGEN FREE PRODUCT IDENTIFICATION MARK ON PRODUCT:
- HALOGEN FREE PRODUCT IDENTIFICATION LABEL ON PACKAGING:
- FOR REFLOW SOLDERING LEAD-FREE PROCESS.
- PACKAGING:TAPE & REEL
- PRODUCT NO: 2DS2020-001112F

SERIES RESERVED
 HALOGEN FREE
 HOUSING COLOR/CONTACT PLATING
 CONSTRUCTION(E.G.:ADDED CAP)



RECOMMENDED P.C.B LAYOUT THICKNESS=1.20mm
 (TOP VIEW. TOL±0.05)

| | | | | |
|----|-------------|-----|---------------|---|
| E | CAP | 1 | LCP | BLACK |
| D | SHELL | 1 | STEEL | NICKEL PLATING |
| C | RIGHT PIN | 5 | COPPER ALLOY | GOLD FLASH ON CONTACT AREA TIN ON SOLDER TAIL ALL OVER NICKEL PLATING |
| B | LEFT PIN | 10 | | |
| A | HOUSING | 1 | THERMOPLASTIC | BLACK |
| NO | DESCRIPTION | QTY | MATERIAL | PLATING & COLOR |

| | | | | |
|---------------------------------------|----------|--|-------------------------|-----------------------------|
| UNLESS OTHERWISE SPECIFIED TOLERANCES | | Singatron Enterprise Co., Ltd. 信音企業股份有限公司 | | |
| DECIMALS: | ANGLES: | TITLE | D-SUB 15 PIN CONNECTOR | |
| X :±0.5 | X :±2° | DWN | Nanlin-Chen 16/05/05 | PART NO.2DS2020-001112F |
| X.X :±0.3 | X.X :±1° | CHKD | Qicai-Hu 16/05/05 | SCALE 3:1 UNIT: mm |
| X.XX :±0.2 | | APVD | Zjz-Zhou 16/05/05 | SIZE: A3 SHEET: 10F1 REV: A |
| CUSTOMER COPY | | | | |