

REV. ECN	NO OR DESCRIPTION	REVISED	DATE
A	INITIAL RELEASE	CHRIS	03/21'11

SPECIFICATION:

1. ELECTRICAL CHARACTERISTICS

- 1.1 CONTACT CURRENT RATING:1A
- 1.2 CONTACT VOLTAGE RATING:240VAC
- 1.3 DIELECTRIC WITHSTANDING VOLTAGE:500V AC RMS.
- 1.4 INSULATION RESISTANCE:5000 Megohms MIN.
- 1.5 CONTACT RESISTANCE:30mΩ MAX.
- 1.6 TEMPERATURE RANGE:-55°C TO +105°C

2. MECHANICAL:

- 2.1 INSERTION FORCE:4.5Kg MAX.
- 2.2 WITHDRAWAL FORCE:1.2kg MIN.
- 2.3 DURABILITY:5,000 CYCLES

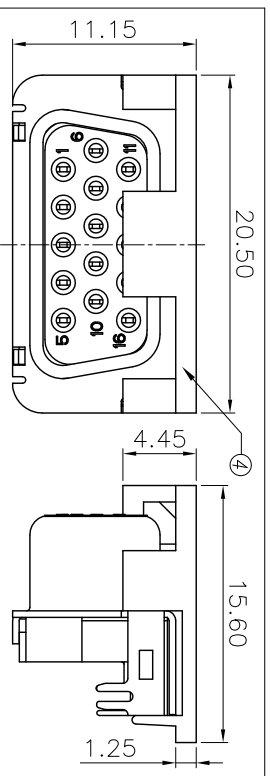
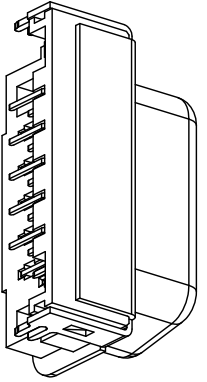
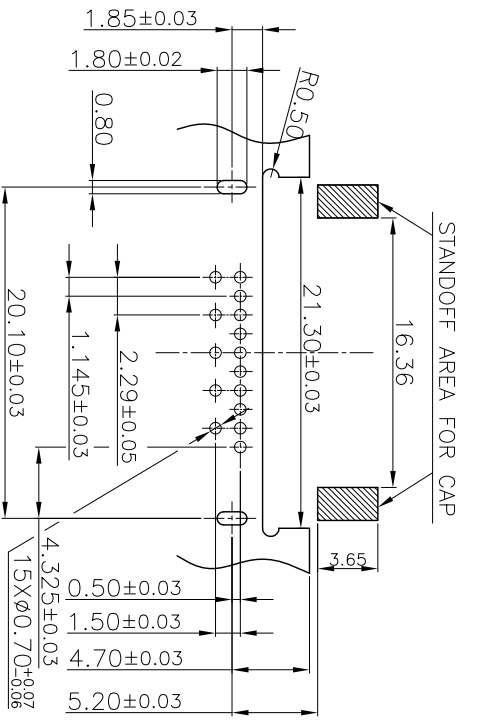
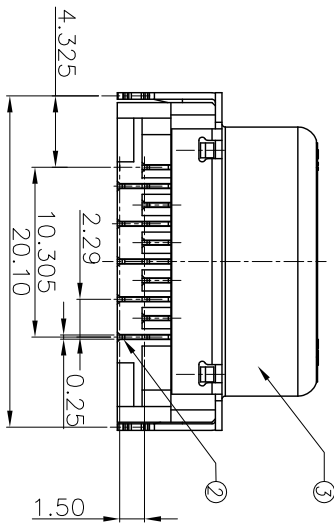
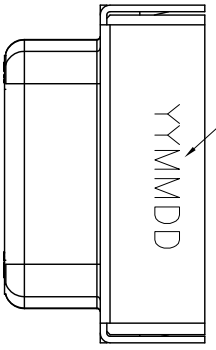
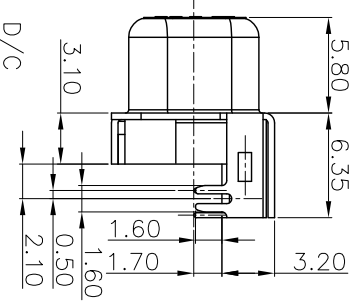
3. INTERMATEABLE WITH STANDARD H/D 15P MALE D-SUB.

HALOGEN FREE PRODUCT IDENTIFICATION LABEL ON PACKAGING:

4. PART NO:

2DS2Y16-0 00 1 2 1 F

- HOUSING MATERIAL 0=HIGH-TEMP THERMOPLASTIC
- CONTACT AREA PLATED 00=G/F
- PACKAGE TYPE 1=TAPE REEL
- COLOR TYPE 2=BLACK
- CAP I=W/CAP



NO	DESCRIPTION	QTY	MATERIAL	PLATING & COLOR
4	CAP	1	HIGH-TEMP THERMOPLASTIC UL94V-0	BLACK
3	SHELL	1	STEEL	NI PLATED
2	CONTACT	15	COPPER ALLOY	G/F PLATING AT CONTACT AREA AND Sn AT TAIL AREA. NI OVERALL
1	HOUSING	1	HIGH-TEMP THERMOPLASTIC UL94V-0	BLACK

UNLESS OTHERWISE SPECIFIED TOLERANCES

DECIMALS: ANGLES:

X :±0.5 X :±2°
 X.X :±0.3 X.X :±1°
 X.XX :±0.2

Singatron Enterprise Co., Ltd.
 信登企業股份有限公司

D-SUB 15PIN SINK TYPE

PART NO. 2DS2Y16-000121F

SCALE 1:1 UNIT: mm

SIZE: A4 SHEET: 10F1 REV: A

CUSTOMER COPY

RECOMMENDED PCB LAYOUT
 UNSPECIFIED TOLERANCE:±0.05

1 2 3 4 5