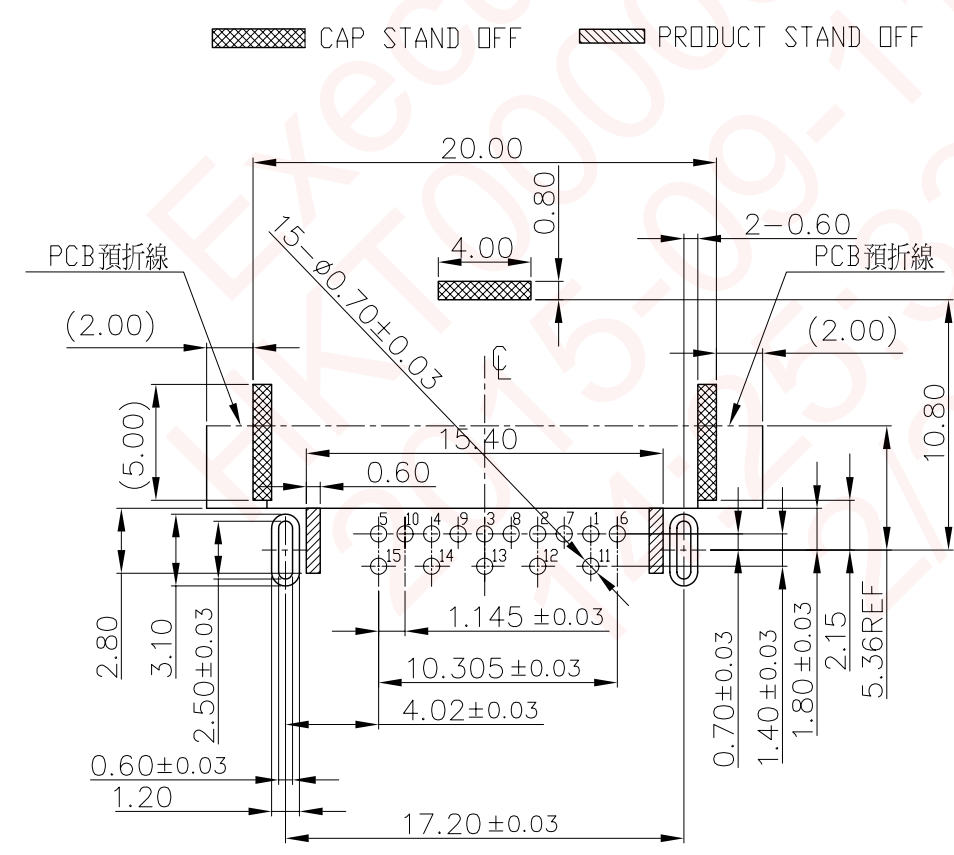
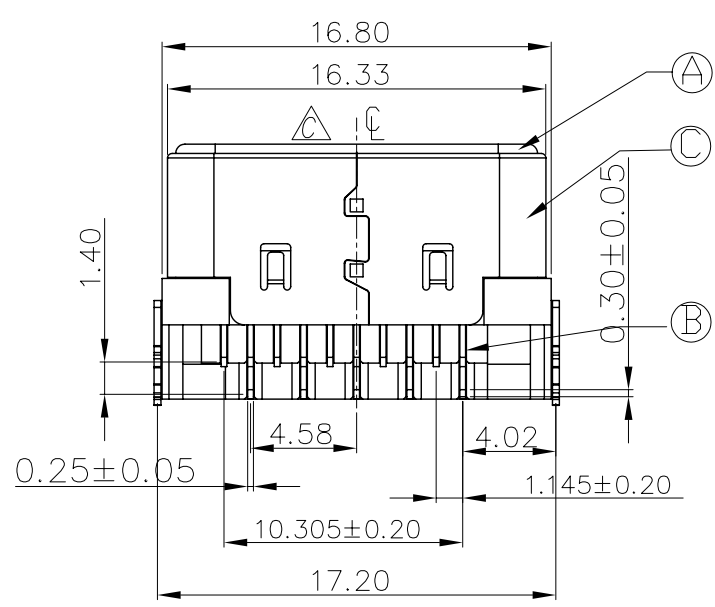
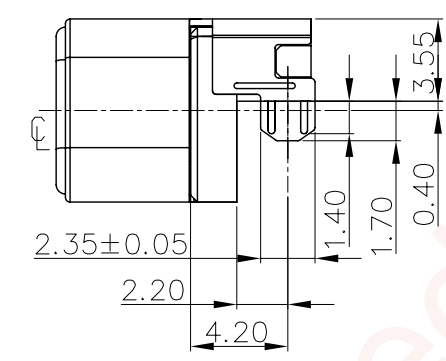
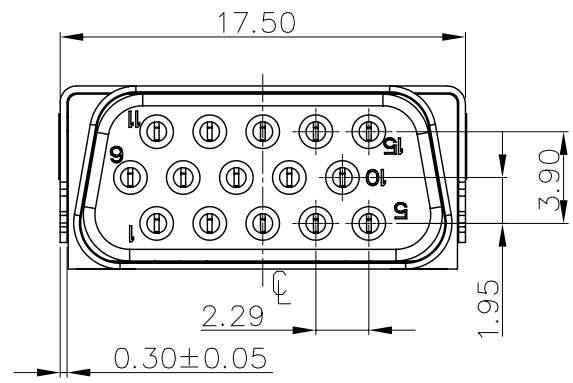


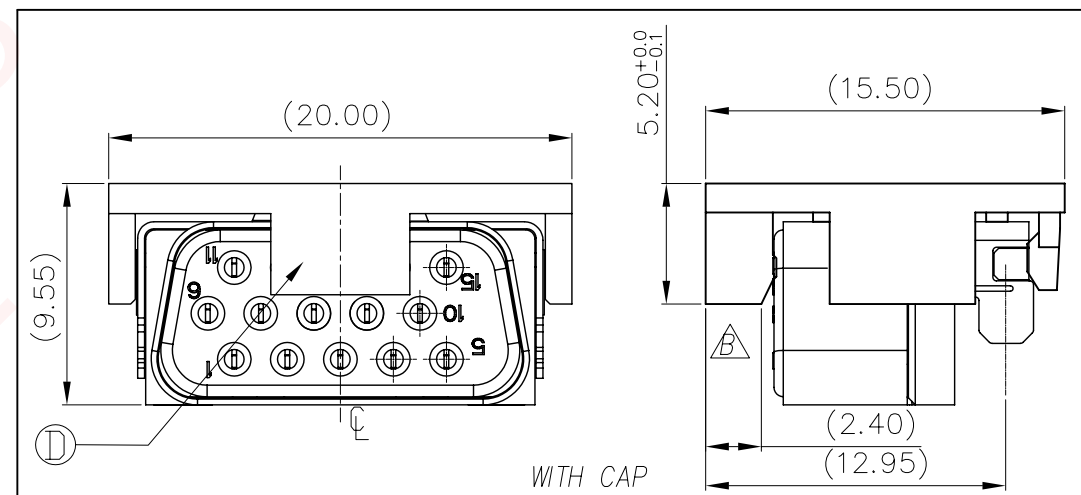
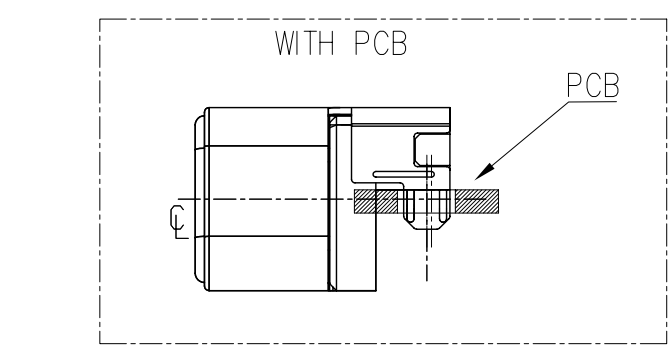
REV.	ECN NO OR DESCRIPTION	REVISED	DATE
A	INITIAL RELEASE	LY	10/24'13
B	ECN NO: C140129	Longjiang	2014.06.27
C	ECN NO: C150086 MODIFY DRAWING	Longjiang	2015.05.19



RECOMMENDED PCB LAYOUT
UNSPECIFIED TOLERANCE: ±0.05

SPECIFICATION:

- ELECTRICAL CHARACTERISTICS
 - CONTACT CURRENT RATING: 3A
 - CONTACT VOLTAGE RATING: 240VAC
 - DIELECTRIC WITHSTANDING VOLTAGE: 500V AC RMS.
 - INSULATION RESISTANCE: 1000 Megohms MIN.
 - CONTACT RESISTANCE: 30mΩ MAX.
 - TEMPERATURE RANGE: -55°C TO +105°C
- MECHANICAL:
 - INSERTION FORCE: 4.5Kg MAX.
 - WITHDRAWAL FORCE: 0.5Kg MIN.
 - DURABILITY: 5,000 CYCLES
- OTHER GENERAL SPEC. TO REFER "2DS2Y31 SERIES SPEC"
- HALOGEN FREE PRODUCT IDENTIFICATION LABEL ON PACKAGING:



D	CAP	1	HIGH-TEMP THERMOPLASTIC UL94V-0	BLACK
C	SHELL	1	STEEL	NICKEL PLATING
B	CONTACT	15	COPPER ALLOY	GOLD FLASH PLATING ON CONTACT AREA AND Sn ON SOLDER TAIL ALL OVER NICKEL PLATING
A	HOUSING	1	HIGH-TEMP THERMOPLASTIC UL94V-0	BLACK
NO	DESCRIPTION	QTY	MATERIAL	PLATING & COLOR

UNLESS OTHERWISE SPECIFIED TOLERANCES		Singatron Enterprise Co., Ltd. 信音企業股份有限公司	
DECIMALS:	ANGLES:	TITLE	D-SUB 15PIN DIP TYPE
X : ±0.5	X : ±2°	DWN	Longjiang-Cad 15/9/10
X.X : ±0.3	X.X : ±1°	CHKD	Yan-Zhang 15/9/10
X.XX : ±0.2		APVD	Justin-Kuo 15/9/10
		PART NO. 2DS2Y31-004111F	
		SCALE N/A UNIT: mm	
		SIZE: A4	SHEET: 10F1
		REV: C	
CUSTOMER COPY			