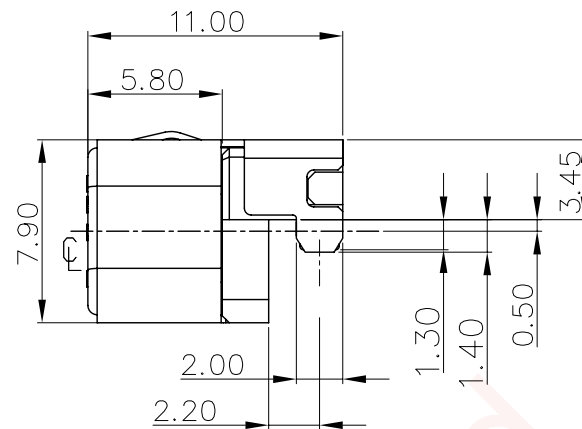
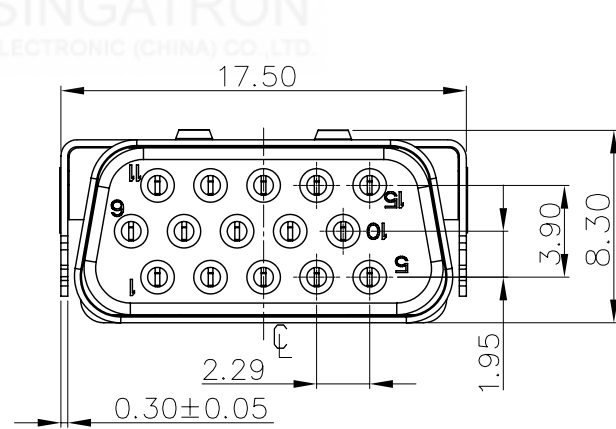


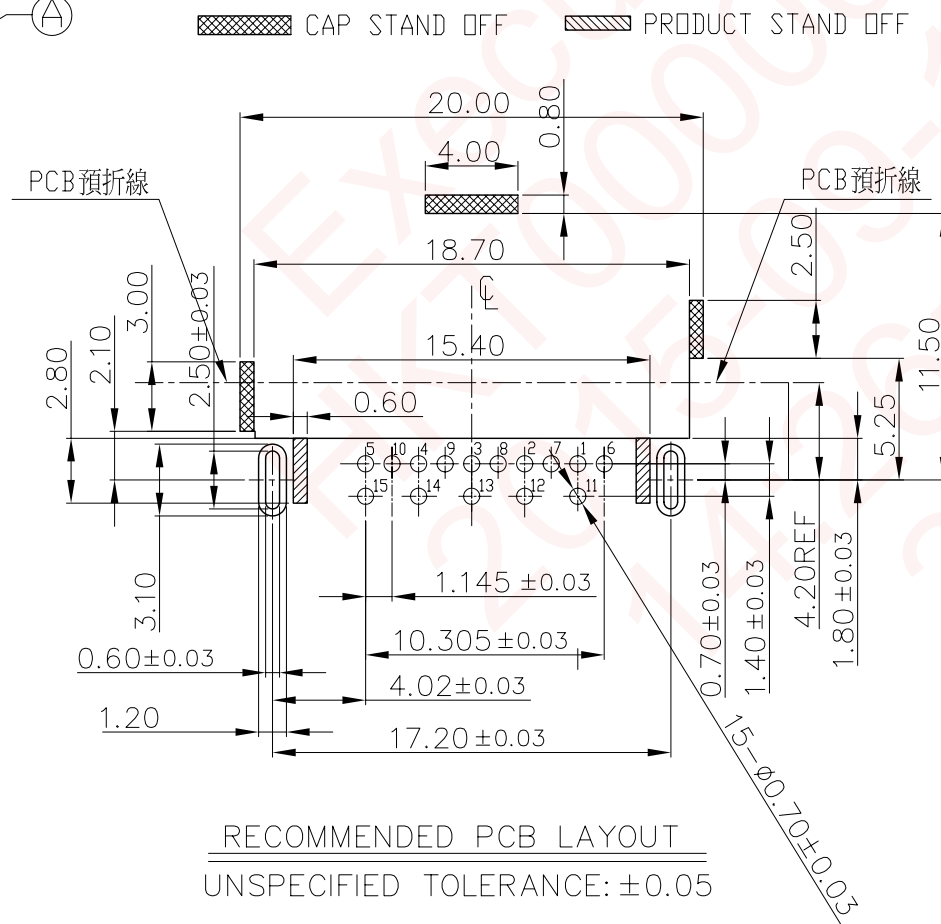
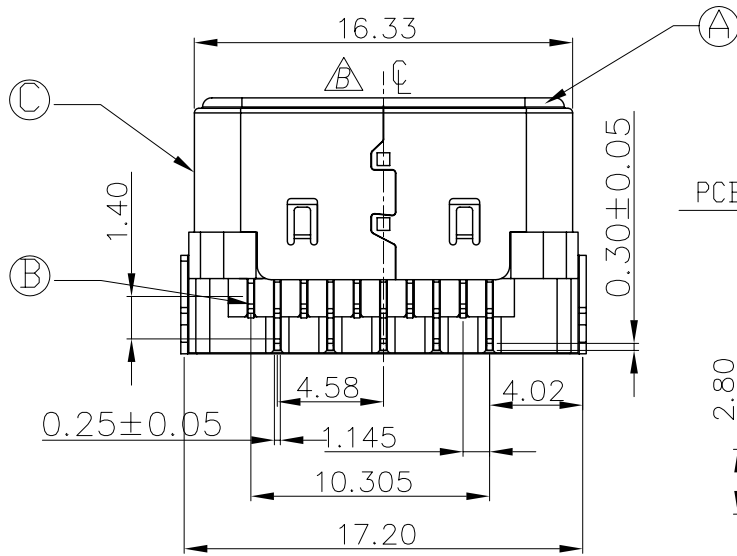


REV.	ECN NO OR DESCRIPTION	REVISED	DATE
A	NEW RELEASE	KIM	08/06'13
B	ECN NO: C150086 MODIFY DRAWING	Longjiang	2015/05/18

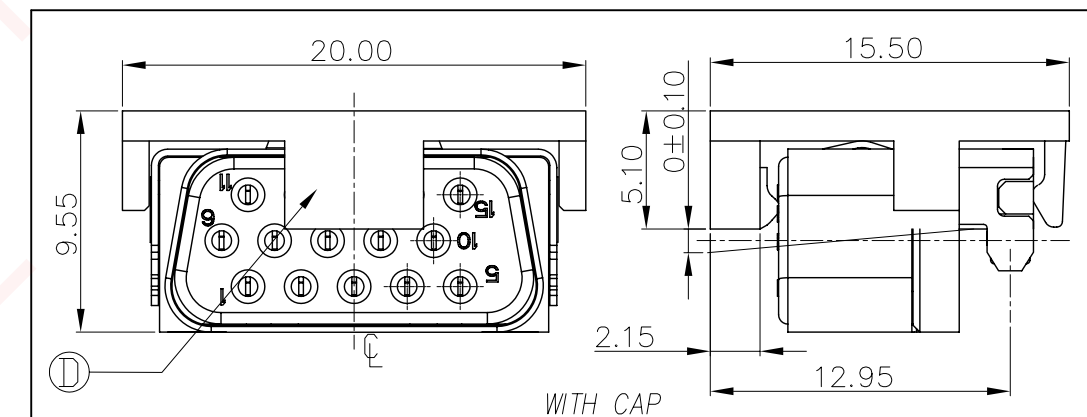


SPECIFICATION:

- ELECTRICAL CHARACTERISTICS
  - CONTACT CURRENT RATING: 3A
  - CONTACT VOLTAGE RATING: 240VAC
  - DIELECTRIC WITHSTANDING VOLTAGE: 500V AC RMS.
  - INSULATION RESISTANCE: 1000 Megohms MIN.
  - CONTACT RESISTANCE: 30mΩ MAX.
  - TEMPERATURE RANGE: -55°C TO +105°C
- MECHANICAL:
  - INSERTION FORCE: 4.5Kg MAX.
  - WITHDRAWAL FORCE: 0.5Kg MIN.
  - DURABILITY: 5,000 CYCLES
- OTHER GENERAL SPEC. TO REFER "2DS2Y31 SERIES SPEC"
- HALOGEN FREE PRODUCT IDENTIFICATION LABEL ON PACKAGING:



RECOMMENDED PCB LAYOUT  
UNSPECIFIED TOLERANCE: ±0.05



NO	DESCRIPTION	QTY	MATERIAL	PLATING & COLOR
D	CAP	1	HIGH-TEMP THERMOPLASTIC UL94V-0	BLACK
C	SHELL	1	STEEL	NICKEL PLATING
B	CONTACT	15	COPPER ALLOY	GOLD FLASH ON CONTACT AREA AND Sn PLATING ON SOLDER TAIL ALL OVER NICKEL PLATING.
A	HOUSING	1	HIGH-TEMP THERMOPLASTIC UL94V-0	BLACK

UNLESS OTHERWISE SPECIFIED TOLERANCES

Singatron Enterprise Co., Ltd.  
信音企業股份有限公司

DECIMALS:	ANGLES:	TITLE	D-SUB 15PIN DIP TYPE	
X : ±0.5	X : ±2°	DWN	Longjiang-Cao 15/9/10	PART NO. 2DS2Y31-200111F
X.X : ±0.3	X.X : ±1°	CHKD	Yan-Zhang 15/9/10	SCALE N/A UNIT: mm
X.XX : ±0.2		APVD	Justin-Kuo 15/9/10	SIZE: A4 SHEET: 10F1 REV: B

CUSTOMER COPY