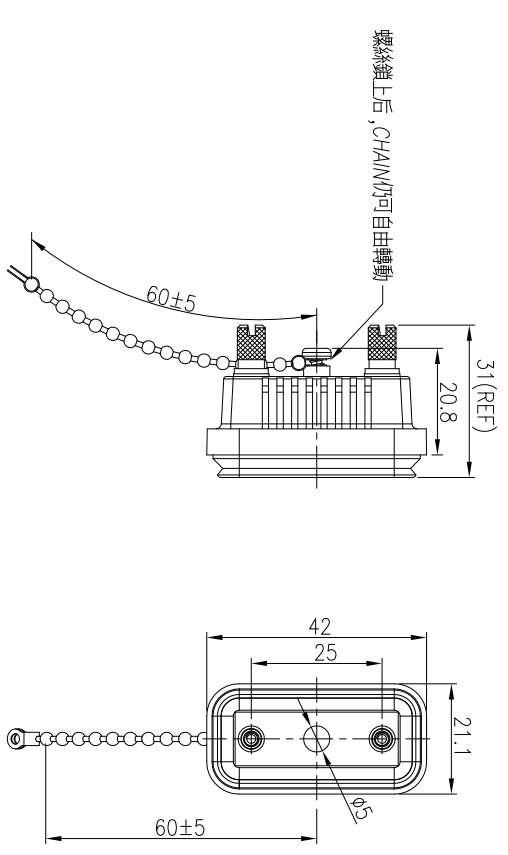
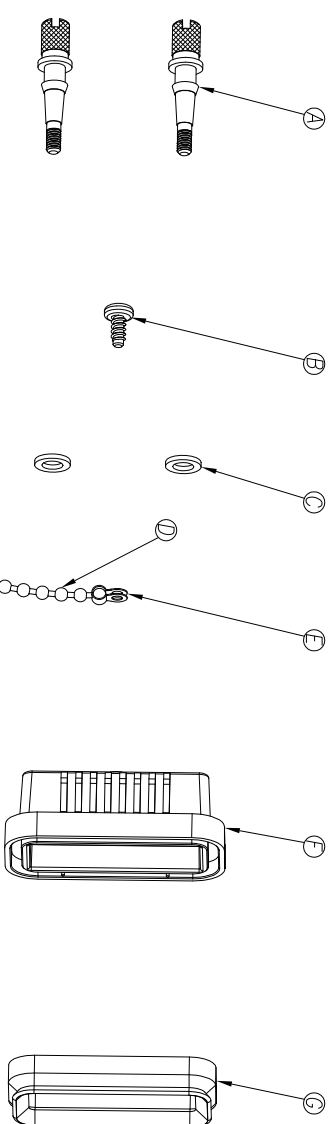


REV.	ECN NO.	OR.	DESCRIPTION	REVISED	DATE
A	PDR NO.:S101221-2A			Glen	2011.03.16
B	ECN NO.:S110608			Shawn	2011.06.08



- NOTES:
1. WATERPROOF RATE: IP67
 2. SPECIFICATIONS: SEE "D-SUB SERIES SPECIFICATIONS"
 3. TO CONFORM TO SINGATRON HAZARDOUS SUBSTANCE FREE SPEC.
 4. GREEN PRODUCT IDENTIFICATION LABEL ON PACKAGING: **G.P. PASS**

G	GASKET	1	SILICONE	BLACK
F	HOUSING	1	ABS	BLACK
E	EARS	2	SUS 304	NATURAL
D	CHAIN	1	SUS 304	NATURAL
C	O-RING	2	EPDM	BLACK
B	SCREW	1	STAINLESS STEEL	N/A
A	SCREW	2	C3604	NICKEL PLATING
NO	DESCRIPTION	QTY	MATERIAL	PLATING & COLOR
UNLESS OTHERWISE SPECIFIED TOLERANCES				
 Singatron Enterprise Co., Ltd. 信亨企業股份有限公司				
TITLE: D-SUB 9 PIN WATERPROOF CAP				
DECMALS:		ANGLES:		
X	:±0.5	X	:±2°	
X.X	:±0.3	X.X	:±1'	
X:XX	:±0.2			
DWG		Shawn	PART NO. 2DS3000-W0900W	
CHKD		Steve	SCALE: 1:1	UNIT: mm
APVD		Quan	SIZE: A3	SHEET: 1 OF 1
REV: B				

CUSTOMER COPY