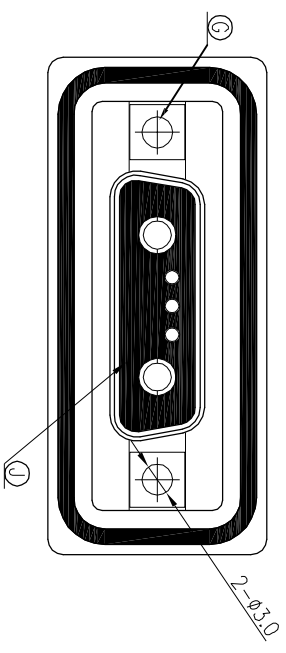
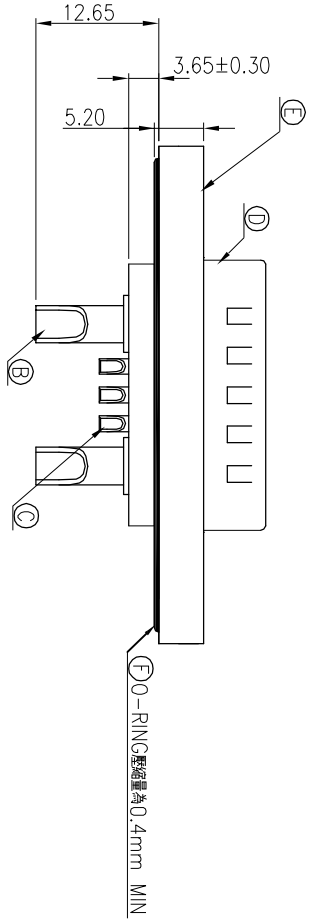
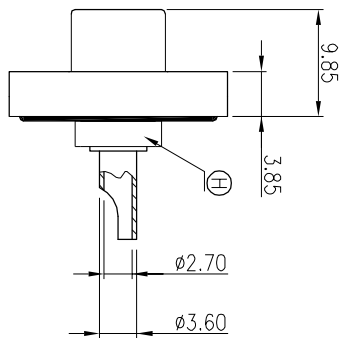
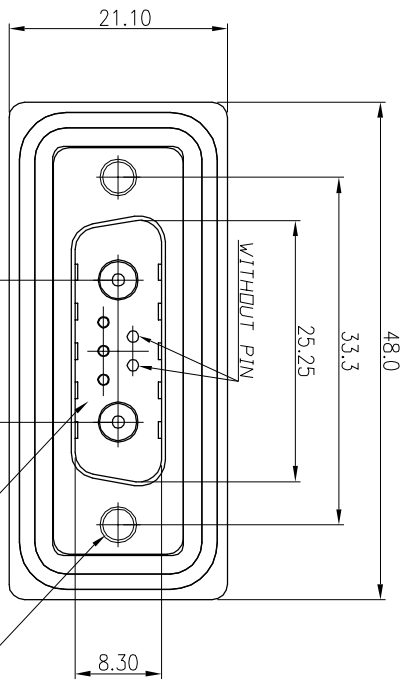


REV.	ECN NO.	OR DESCRIPTION	REVISED	DATE
A	PDR RELEASE		INV-C	2011.11.15
A1	ECR NO.:		Elrod	2023.03.21



- SPECIFICATIONS:
1. WATERPROOF DEGREE OF PROTECTION: IP67.
 2. ELECTRICAL CHARACTERISTICS:
 - 2-1. HIGH POWER CONTACT CURRENT RATING: 20.0A
 - 2-2. HIGH POWER CONTACT RESISTANCE: 1.0 mohm MAX.
 - 2-3. SIGNAL CONTACT CURRENT RATING: 5.0A
 - 2-4. SIGNAL CONTACT RESISTANCE: 1.0 mohm MAX.
 - 2-5. DIELECTRIC WITHSTANDING VOLTAGE: 1,000V AC FOR 1 MINUTE.
 - 2-6. INSULATION RESISTANCE: 5000Mohm MINIMUM AT DC 500V
 3. TEMPERATURE RATING: -55°C ~ +125°C
 4. OTHER GENERAL SPEC. TO REFER "2DS30X2-W05F00H SPEC".
 5. TO CONFORM TO SINGATRON HAZARDOUS SUBSTANCE FREE SPEC.
 6. GREEN PRODUCT IDENTIFICATION LABEL ON PACKAGING: **RoHS**
 7. PACKAGE: SEE "2DS30X2-W05F00H" PACKAGE.

J	LIQUID GLUE	N/A	BLACK COLOR
I	WATERPROOF NUT	COPPER ALLOY	NICKEL
H	BODY-2	PBT+GF30%(UL94V-0)	BLACK COLOR
G	BACK SHELL	SPCC	TIN PLATED
F	O-RING	SILICONE	LIGHT BLUE
E	METAL WATERIGHT FRAME	PBT+GF30%(UL94V-0)	BLACK COLOR
D	FRONT SHELL	SPCC	TIN PLATED
C	SIGNAL CONTACT	COPPER ALLOY	GOLD PLATED
B	HIGH POWER CONTACT	COPPER ALLOY	GOLD PLATED
A	BODY-1	PBT GF(UL 94V-0)	BLACK COLOR
NO	DESCRIPTION	MATERIAL	PLATING & COLOR

UNLESS OTHERWISE SPECIFIED TOLERANCES

TITLE	ANGLES:	DECIMALS:
(2+3)PIN D-SUB MALE(SOLDER TYPE)	X : ±2°	X : ±0.5
	X.X : ±1°	X.X : ±0.3
	X.XX : ±0.2	X.XX : ±0.2

DMW	Elrod	SCALE 2:1	UNIT: mm	REV: A1
CHKD	Jun	SIZE: A3	SHEET: 1 OF 1	REV: A1
APVD	Steve	CUSTOMER COPY		

Suzhou Singatron Auto Electronics CO.,LTD.
 苏州信音汽车电子有限公司