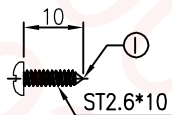
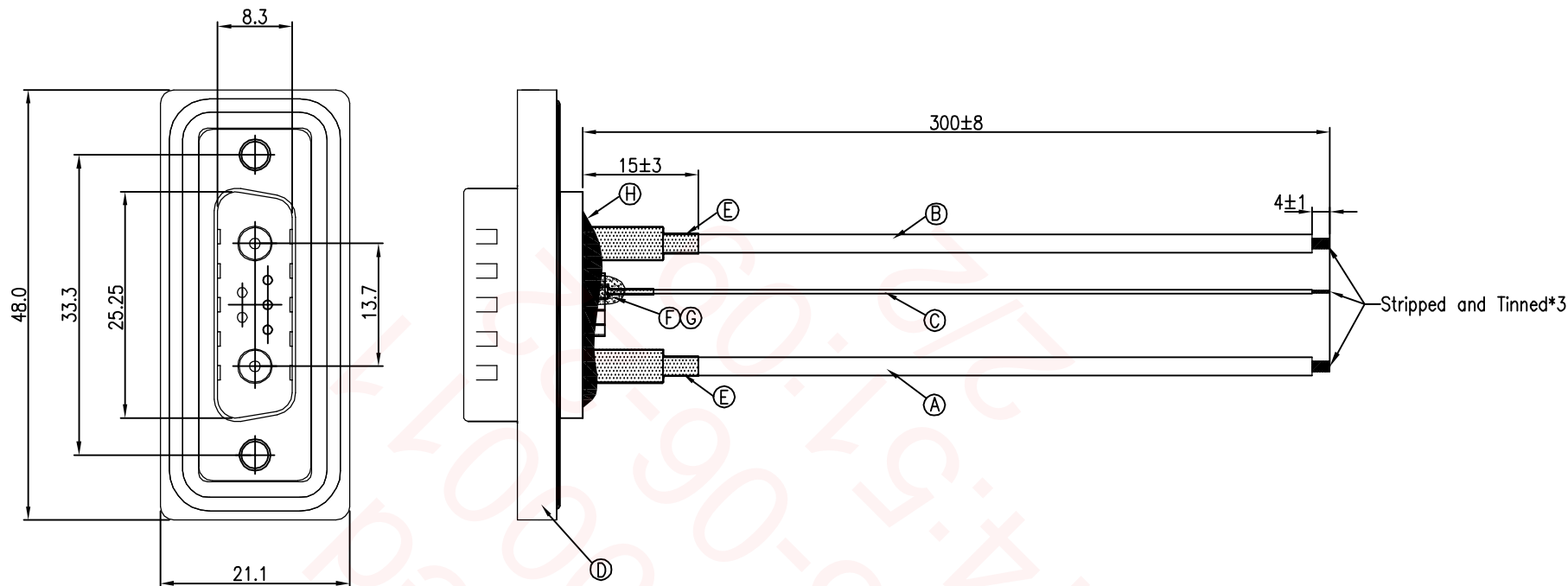


REV.	ECN NO OR DESCRIPTION	REVISED	DATE
A	PDR NO:T150427-7A	Blues	2015.06.12



2	GREEN
A2	BLACK
A1	RED
CONN1.	WIRE COLOR
CONN1.	
PIN ASSIGNMENTS FRONT VIEW	

SPECIFICATIONS:

1. WATERPROOF RATE:IP67
2. ELECTRICAL CHARACTERISTICS:
 - 2-1. SIGNAL CONTACT RESISTANCE: 3ohm MAX.
 - 2-2. DIELECTRIC WITHSTANDING VOLTAGE: 500V AC FOR 1 MINUTE.
 - 2-3. INSULATION RESISTANCE: 1000Mohm MINIMUM AT DC 500V
3. TO CONFORM TO SINGATRON HAZARDOUS SUBSTANCE FREE SPEC.
4. 螺絲 2PCS 以附件形式包裝出貨.
5. GREEN PRODUCT IDENTIFICATION LABEL ON PACKAGING: **G.P. PASS**

NO	DESCRIPTION	QTY	MATERIAL	PLATING & COLOR								
I	SCREW	2	ST2.6*10L	N/A								
H	LIQUID GLUE		N/A	BLACK								
G	THERMAL GLUE	1	Ø7.0MM	N/A								
F	HEAR SHRINK TUBE	1	Ø2.0 L=8 300V 125'	BLACK								
E	HEAR SHRINK TUBE	2	Ø4.0 L=15 300V 125'	BLACK								
D	D-SUB CONNECTOR	1	P/N:2DS3012-W07F00H	N/A								
C	WIRE	1	UL1015 24AWG	GREEN								
B	WIRE	1	UL1331 16AWG	BLACK								
A	WIRE	1	UL1331 16AWG	RED								
UNLESS OTHERWISE SPECIFIED TOLERANCES		Singatron Enterprise Co., Ltd. 信音企業股份有限公司										
DECIMALS: X :±0.5 X.X :±0.3 X.XX :±0.2		ANGLES: X :±2' X.X :±1'		<table border="1"> <tr> <td>TITLE</td> <td>(2+5)PIN D-SUB MALE CONN.+WIRE</td> </tr> <tr> <td>DWN</td> <td>Blues PART NO.2DS3012-W07F02H</td> </tr> <tr> <td>CHKD</td> <td>Harlen SCALE 2:1 UNIT: mm</td> </tr> <tr> <td>APVD</td> <td>Steve SIZE: A3 SHEET:1 OF 1 REV: A</td> </tr> </table>	TITLE	(2+5)PIN D-SUB MALE CONN.+WIRE	DWN	Blues PART NO.2DS3012-W07F02H	CHKD	Harlen SCALE 2:1 UNIT: mm	APVD	Steve SIZE: A3 SHEET:1 OF 1 REV: A
TITLE	(2+5)PIN D-SUB MALE CONN.+WIRE											
DWN	Blues PART NO.2DS3012-W07F02H											
CHKD	Harlen SCALE 2:1 UNIT: mm											
APVD	Steve SIZE: A3 SHEET:1 OF 1 REV: A											
CUSTOMER COPY												