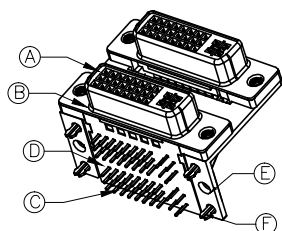
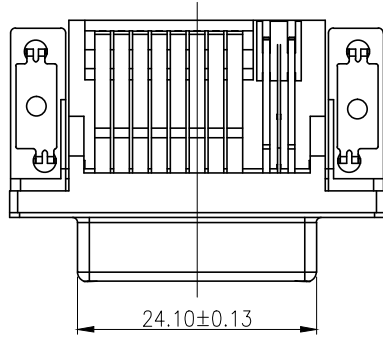


1 2 3 4 5 6 7 8

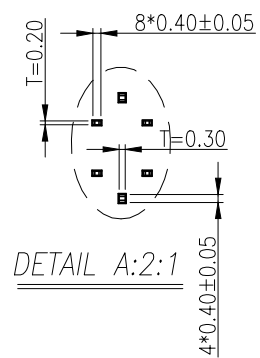
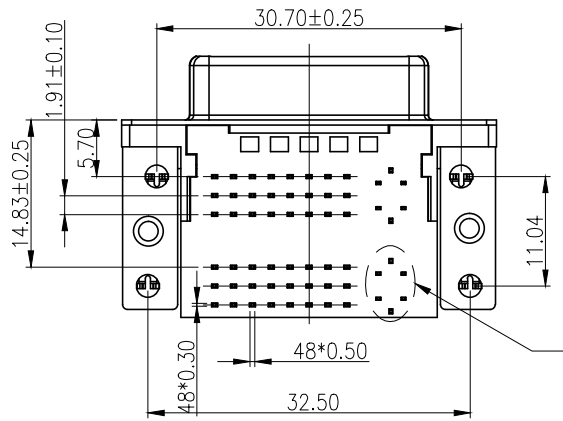
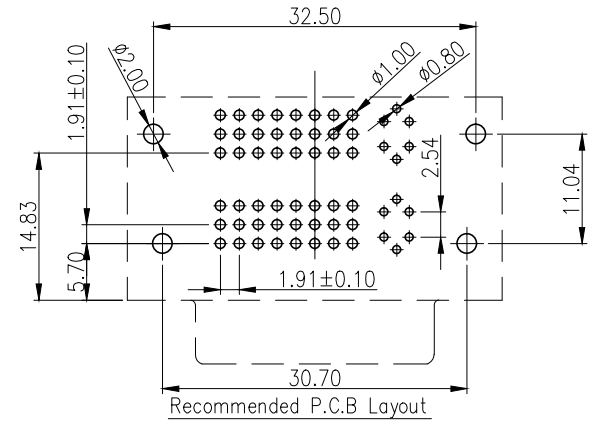
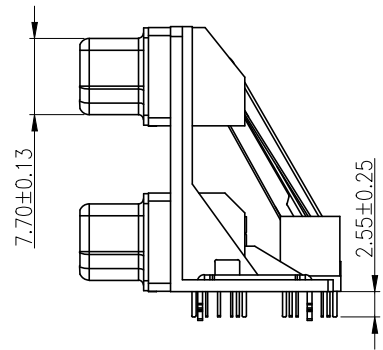
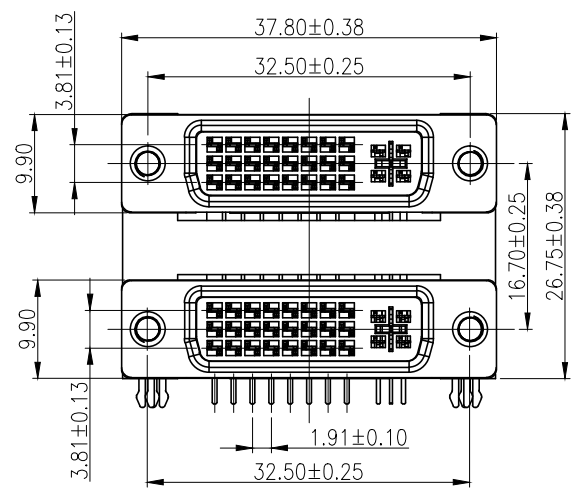
REV.	ECN NO OR DESCRIPTION	REVISED	DATE
A	PDR NO:S160408-11A	jttlucky	2016.08.24

NOTE:

- MATERIAL:
 INSULATOR:PBT+30%GLASS FIRBE UL94V-0
 TERMINAL:COPPER ALLOY
 TERMINAL PLATING:SELECTIVE GOLG PLATING ON AREA.
 SEHLL:SPCC-SD NICKEL PLATING.
 GROUNDING CLIP:BRASS TIN PALTING.
 NUT:COPPER ALLOY. NICKEL PLATING.
- ELECTRICAL:
 INSULATOR RESISTANCE:1000MEG OHMS MIN.
 DIELECTRIC WITHSTANDING VOLTAGE:500V AC RMS.
 VOLTAGE TATING:40V AC RMS.CONTINUOUS MAX.
 CURRENT RATING:1.5A MIN. 3.0A MAX.
 CONTGACT RESISTANCE:30 MILLLOHMS MAX.
- MECHANICAL CHARACTERISTICS:
 INSERTION FORCE :4.5 MAX Kgf
 WITHDRAWAL FORCE : 1.0 MIN Kgf
- ENVIRONMENTAL
 TEMPERATURE RANGE:-20°C TO +85°C.



3D VIEW 1:2



DETAIL A

NO	DESCRIPTION	QTY	MATERIAL	PLATING & COLOR
F	BoardLock	2	Alloy	NICKEL and NIN MIN 60u"MIN
E	HOLDER	1	Zinc Alloy	NICKEL 60u"MIN
D	COVER	1	HIGH TEMPERATURE	WHITE
C	TERMINAL	58	COPPER ALLOY T=0.30	G/F PLATED ON MATING AREA, 100u"MIN IN PLATED ON SOLDERING 50u"NICKEL UNDER PLATING OVERALL
B	SHELL	1	SPCC T=0.50	NICKEL 60u"MIN
A	HOUSING	1	PBT	WHITE

UNLESS OTHERWISE SPECIFIED TOLERANCES		Singatron Enterprise Co., Ltd. 信音企業股份有限公司	
DECIMALS:	ANGLES:	TITLE	DVI双层24+5
X :±0.5	X :±2'	DWN	jttlucky PART NO. 2DS3Y47-058812H
X.X :±0.3	X.X :±1'	CHKD	james SCALE 4:1 UNIT: mm
X.XX :±0.2		APVD	boye SIZE: A3 SHEET:1 OF 1 REV: A
CUSTOMER COPY			

1 2 3 4 5 6 7 8