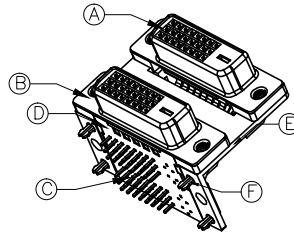
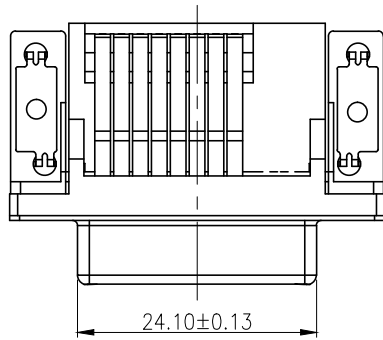


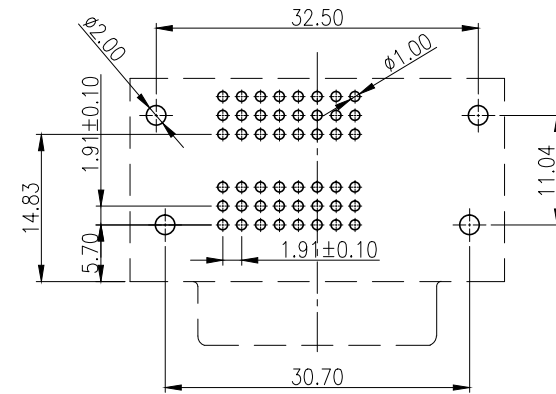
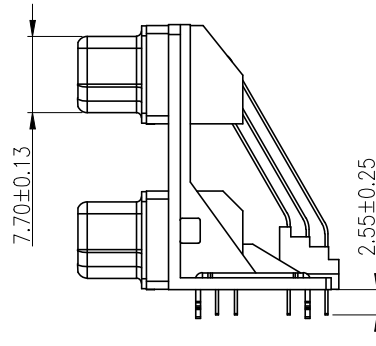
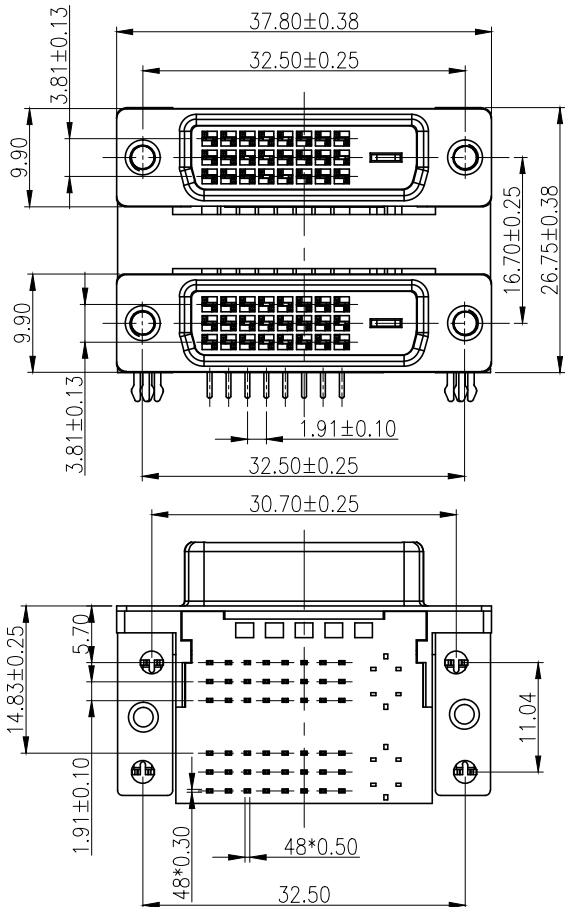
REV.	ECN NO OR DESCRIPTION	REVISED	DATE
A	PDR NO:S160408-9A	jttlucky	2016.09.01



3D VIEW 1:2

NOTE:

- MATERIAL:  
 INSULATOR:PBT+30%GLASS FIRBE UL94V-0  
 TERMINAL:COPPER ALLOY  
 TERMINAL PLATING:SELECTIVE GOLG PLATING ON AREA.  
 SEHLL:SPCC-SD NICKEL PLATING.  
 GROUNDING CLIP:BRASS TIN PALTING.  
 NUT:COPPER ALLOY. NICKEL PLATING.
- ELECTRICAL:  
 INSULATOR RESISTANCE:1000MEGOHMS MIN.  
 DIELECTRIC WITHSTANDING VOLTAGE:500V AC RMS.  
 VOLTAGE TATING:40V AC RMS.CONTINUOUS MAX.  
 CURRENT RATING:1.5A MIN. 3.0A MAX.  
 CONTGACT RESISTANCE:30 MILLLOHMS MAX.
- ENVIRONMENTAL  
 TEMPERATURE RANGE:-20°C TO +85°C.



Recommended P.C.B Layout

NO	DESCRIPTION	QTY	MATERIAL	PLATING & COLOR
F	BoardLock	2	Alloy	NICKEL and NIN MIN 60u"MIN
E	HOLDER	1	Zinc Alloy	NICKEL 60u"MIN
D	COVER	1	HIGH TEMPERATURE	WHITE
C	TERMINAL	48	COPPER ALLOY T=0.30	G/F PLATED ON MATING AREA, 100u"MIN IN PLATED ON SOLDERING 50u"NICKEL UNDER PLATING OVERALL
B	SHELL	1	SPCC T=0.50	NICKEL 60u"MIN
A	HOUSING	1	PBT	WHITE

UNLESS OTHERWISE SPECIFIED TOLERANCES

Singatron Enterprise Co., Ltd.  
信音企業股份有限公司

DECIMALS:	ANGLES:
X :±0.5	X :±1°
X.X :±0.3	X.X :±0.5°
X.XX :±0.2	

TITLE	DVI双层24+1
DWN	jttlucky PART NO. 2DS3Y50-150182H
CHKD	James SCALE 4:1 UNIT: mm
APVD	Boye SIZE: A3 SHEET:1 OF 1 REV: A

CUSTOMER COPY