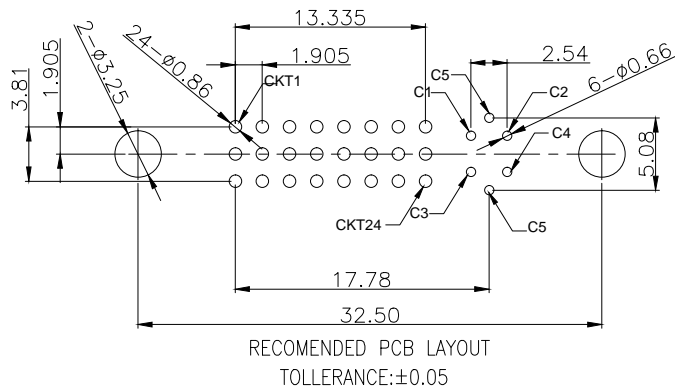
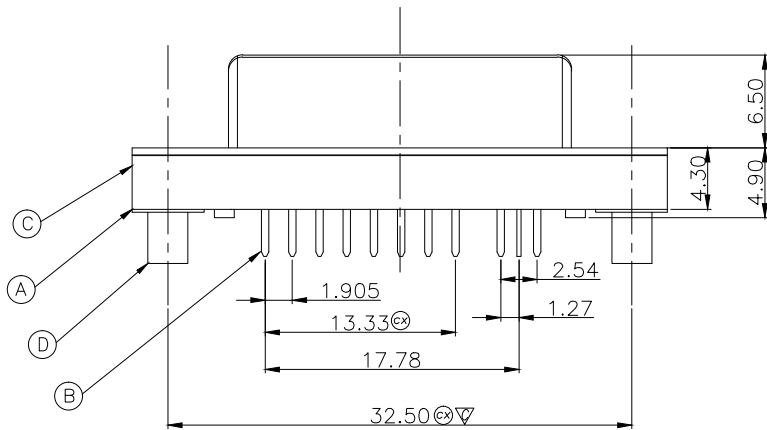
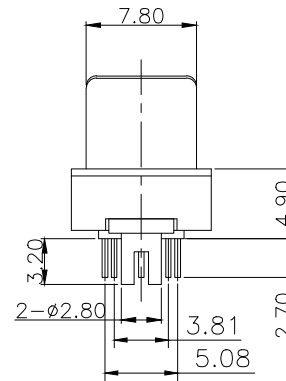
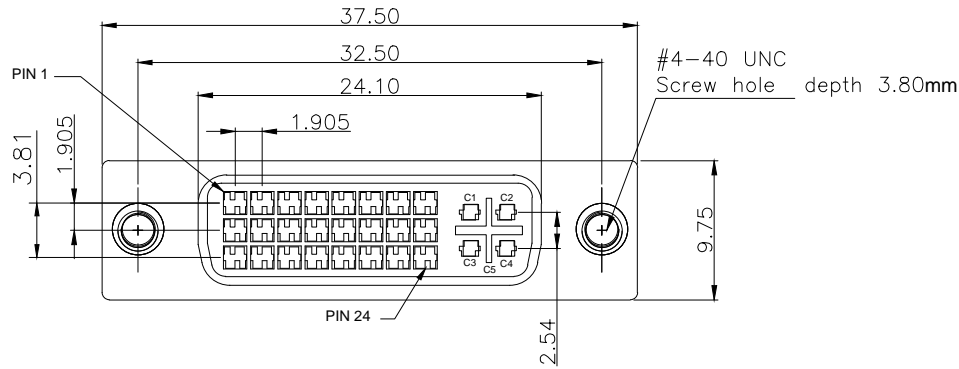


REV.	ECN NO OR DESCRIPTION	REVISED	DATE
A	PDR NO:S160223-8A	jttlucky	2016.04.25
B	ECN NO: L202301-C01	EVEN	2023.02.15

SPECIFICATIONS:

- ELECTRICAL CHARACTERISTICS:
 - CURRENT RATING: 1.8A max.
 - CONTACT RESISTANCE: 30mΩ MAX.
 - DIELECTRIC WITHSTANDING VOLTAGE: 500V AC FOR 1 MINUTE
 - INSULATION RESISTANCE: 1000MΩ MIN .
- MECHANICAL CHARACTERISTICS:
 - INSERTION FORCE : 4.5 Kgf max.
 - WITHDRAWAL FORCE : 1.0~4.0Kgf.
TEST AFTER : 0.80Kgf min.
- DURABILITY: 1000 CYCLES.
- TO CONFORM TO SINGATRON HAZARDOUS SUBSTANCE FREE SPEC.
- HALOGEN PRODUCT IDENTIFICATION MARK ON DVI: Ⓢ
- IR REFLOW CONDITION SOLDERING LEAD-FREE PROCESS.
- PACKAGING : TAPE



NO	DESCRIPTION	QTY	MATERIAL	PLATING & COLOR
D	BOARDLOCK	2	BARSS(C3604)	80u"MIN TIN PLATED ON ALLOYER 50u"MIN NICKEL ON ALLOYER
C	SHELL	1	SPCC	50u"MIN NICKEL ON ALLOYER
B	CONTACT	29	COPPER ALLOY	GOLD FLASH PLATED ON CONTACT AREA,80u"MIN TIN PLATED ON SOLDER TAILS, 50u"MIN NICKEL ON ALLOYER
A	HOUSING	1	LCP UL-94V0	NATURAL COLOR
UNLESS OTHERWISE SPECIFIED TOLERANCES				
DECIMALS: ANGLES: TITLE DVI(24+5) PIN CONNECTOR , VERTICAL				
X :±0.5 X :±2° DWN EVEN 2023.02.15 PART NO.2DS3Y53-129161H				
X.X :±0.3 X.X :±1° CHKD SCALE 1:1 UNIT: mm				
X.XX :±0.2 APVD TERESA2023.02.15 SIZE: A3 SHEET:1 OF 1 REV: B				
CUSTOMER COPY				