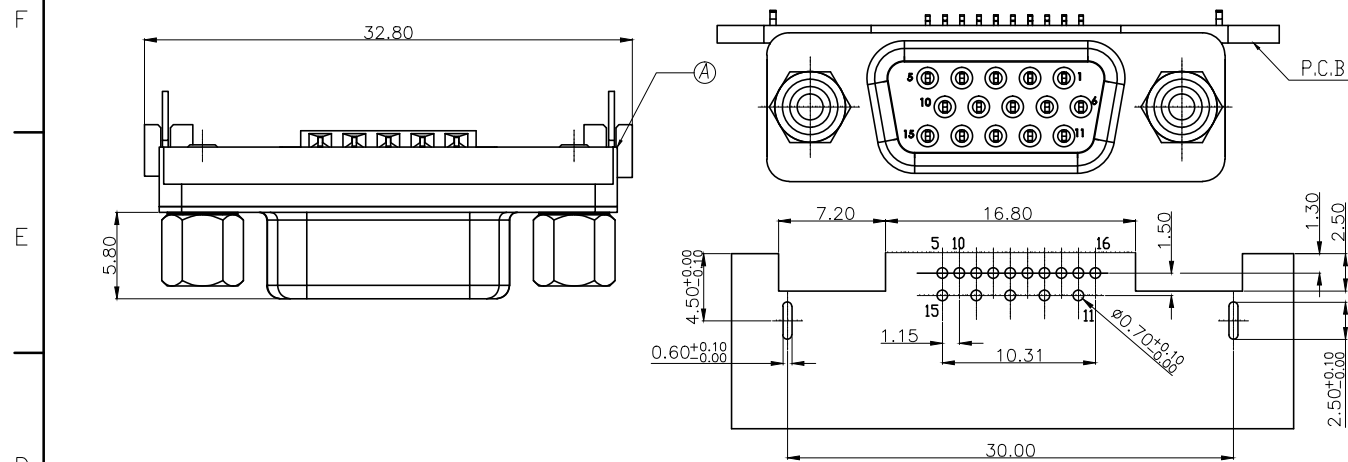


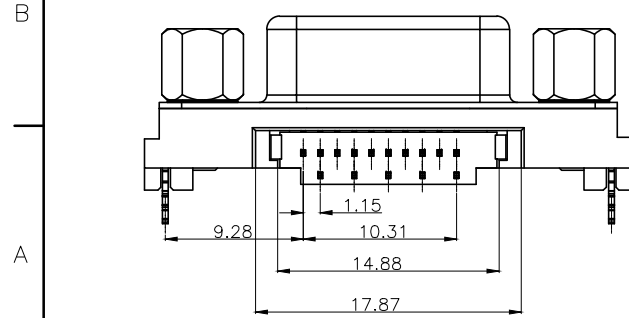
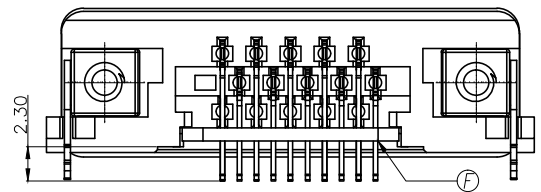
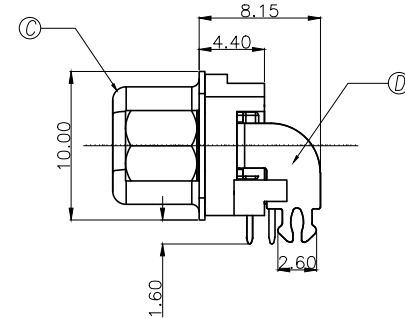
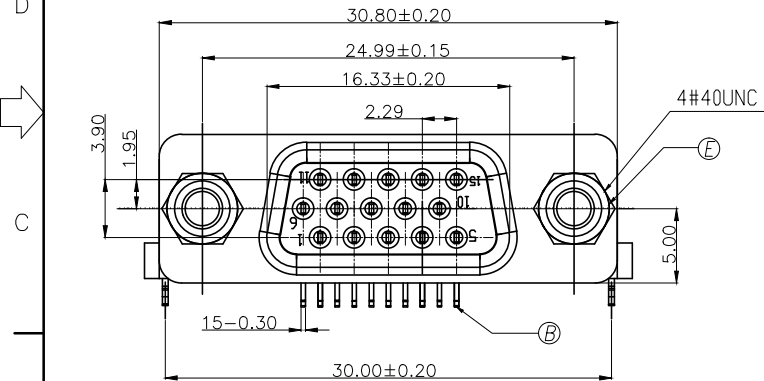
REV.	ECN NO OR DESCRIPTION	REVISED	DATE
A	PDR NO:S160223-7A	jttlucky	2016.04.28

Recommended P.C.B Layout (component side)



SPECIFICATIONS:

- ELECTRICAL CHARACTERISTICS:
  - CURRENT RATING: 1.0A
  - CONTACT RESISTANCE: 30mΩ MAX.
  - DIELECTRIC WITHSTANDING VOLTAGE: 250V AC FOR 1 MINUTE
  - INSULATION RESISTANCE: 800M MIN.
- MECHANICAL CHARACTERISTICS:
  - INSERTION FORCE : 0.3 Kgf MAX PER PIN.
  - WITHDRAWAL FORCE : 0.03Kgf MIN PER PIN.
- DURABILITY: 800 CYCLES.
- TO CONFORM TO SINGATRON HAZARDOUS SUBSTANCE FREE SPEC.
- HALOGEN PRODUCT IDENTIFICATION MARK ON DVI:
- FOR WAVE SOLDERING LEAD-FREE PROCESS.
- PACKAGING : TAPE



F	CAP	1	LCP E130I	BLACK
E	RIVET	2	C3604	NICKEL PLATED
D	FORK	2	SPCC	TIN PLATED
C	SHELL	1	SPCC	NICKEL PLATED
B	TERMINAL	15	C2680	GOLD PLATED
A	HOUSING	1	LCP E130I	BLACK
NO	DESCRIPTION	QTY	MATERIAL	PLATING & COLOR

UNLESS OTHERWISE SPECIFIED TOLERANCES		Singatron Enterprise Co., Ltd. 信音企業股份有限公司	
DECIMALS:	ANGLES:	TITLE	
X :±0.5	X :±2°	VGA 15 PIN BY DIP TYE	
X.X :±0.3	X.X :±1°	DWN	jttlucky
X.XX :±0.2		CHKD	james
		APVD	boye
		PART NO. 2DS3Y55-015111H	
		SCALE:4:1	UNIT: mm
		SIZE: A3	SHEET:1 OF 1
		REV: A	

CUSTOMER COPY