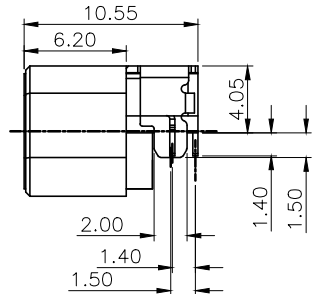
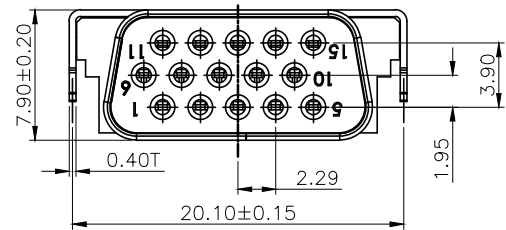
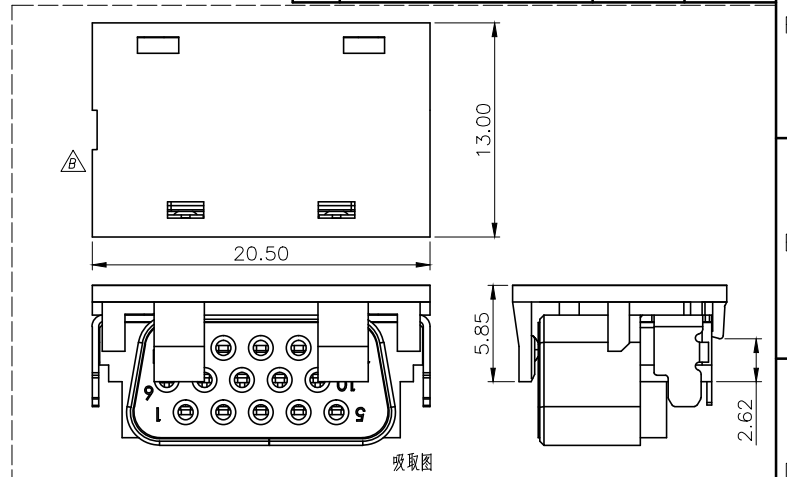
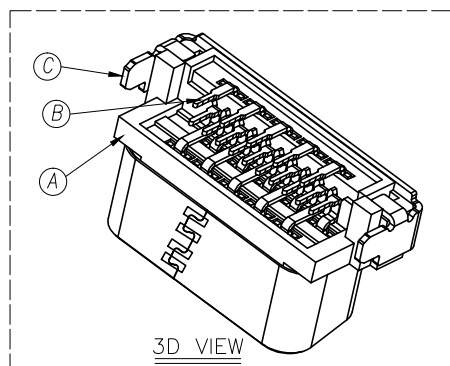
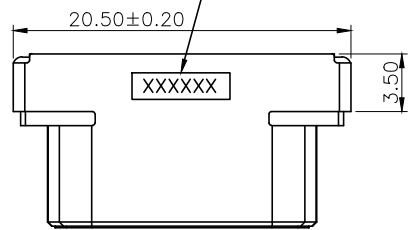


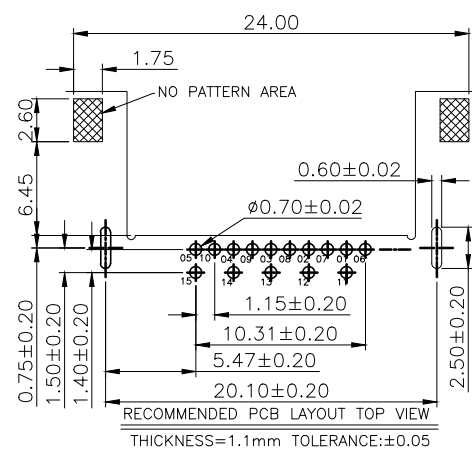
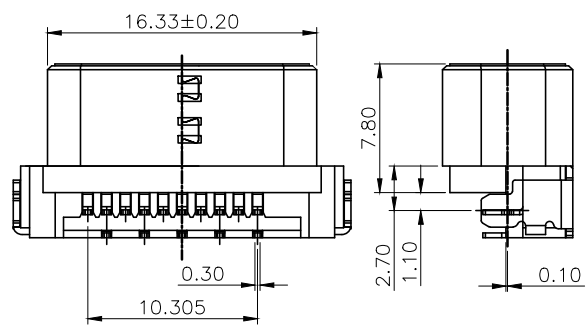
1 2 3 4 5 6 7 8

REV.	ECN NO OR DESCRIPTION	REVISED	DATE
A	PDR NO:S160216-7A	jtlucky	2016.05.23
B	ECN NO:S170146-P	YUREN	2017.3.1

DATE CODE: YY-WW-D
 TEAR
 WEEK
 DAY



- SPECIFICATIONS:
- ELECTRICAL CHARACTERISTICS:
 - 1-1. CURRENT RATING: 1.8A (PIN1,4) ; OTHER CONTACTS 0.25A
 - 1-2. CONTACT RESISTANCE: 30mΩ MAX.
 - 1-3. DIELECTRIC WITHSTANDING VOLTAGE: 100V AC FOR 1 MINUTE
 - 1-4. INSULATION RESISTANCE: 100MΩ MIN .
 - MECHANICAL CHARACTERISTICS:
 - 2-1. INSERTION FORCE : 4.5 Kgf MAX.
 - 2-2. WITHDRAWAL FORCE : 0.5Kgf MIN.
 - DURABILITY: 5000 CYCLES.
 - TO CONFORM TO SINGATRON HAZARDDUS SUBSTANCE FREE SPEC.
 - SHALOGEN PRODUCT IDENTIFICATION LABEL ON PACKAGING:
 - FOR WAVE SOLDERING LEAD-FREE PROCESS.
 - DATE : YYMMDD-
 - PACKAGING : TAPE & REEL.



C	SHELL	1	STAINLESS STEEL,T=0.40	NICKEL 60u"MIN
B	TERMINAL	15	BARSS,T=0.30	GOLD FLASH OVER PLATED ON MATING AREA. Matt. Sn 100uin Min.PLATED ON SOLDERING 60uin NICKEL UNDER PLATING OVERALL
A	HOUSING	1	HIGH TEMP.THERMOPLASTIC	BLACK
NO	DESCRIPTION	QTY	MATERIAL	PLATING & COLOR
UNLESS OTHERWISE SPECIFED TOLERANCES		Singatron Enterprise Co., Ltd. 信音企業股份有限公司		
DECIMALS: ANGLES:		TITLE: SLIM D-SUB F 15P CLO.1mm		
X :±0.5 X :±2'		DWN YUREN PART NO:2DS3Y57-015111F		
X.X :±0.3 X.X :±1'		CHKD CERRY SCALE:4:1 UNIT: mm		
X.XX :±0.2		APVD LIAO SIZE: A3 SHEET:1 OF 1 REV:B		
CUSTOMER COPY				

1 2 3 4 5 6 7 8